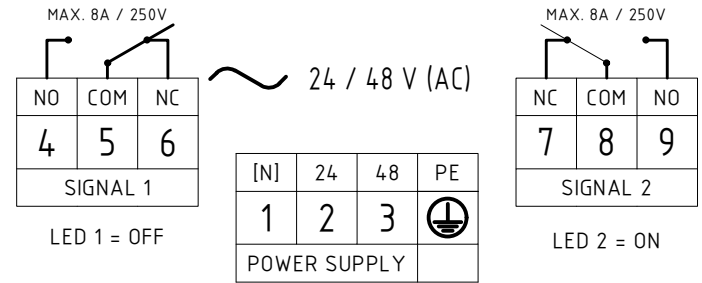
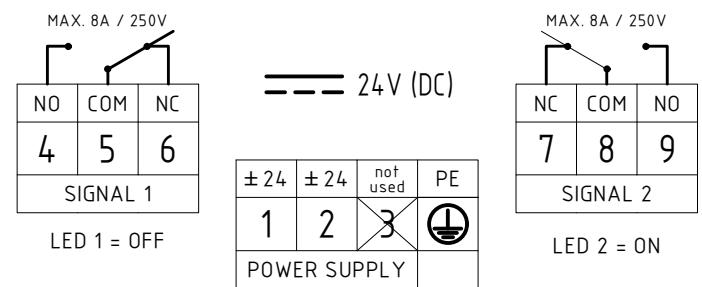


CONTACT POSITIONS WHEN ENERGIZED AND MATERIAL NOT PRESENT



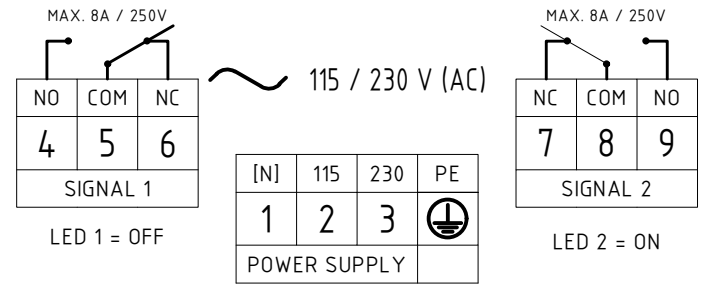
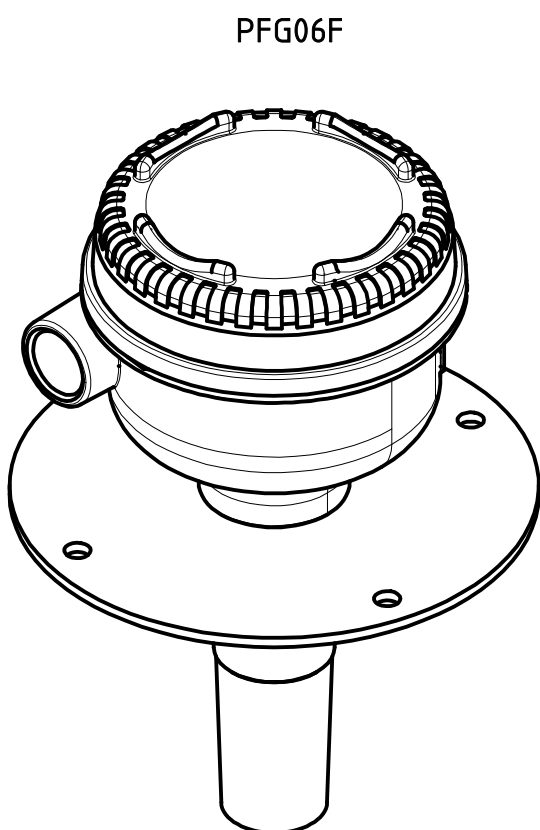
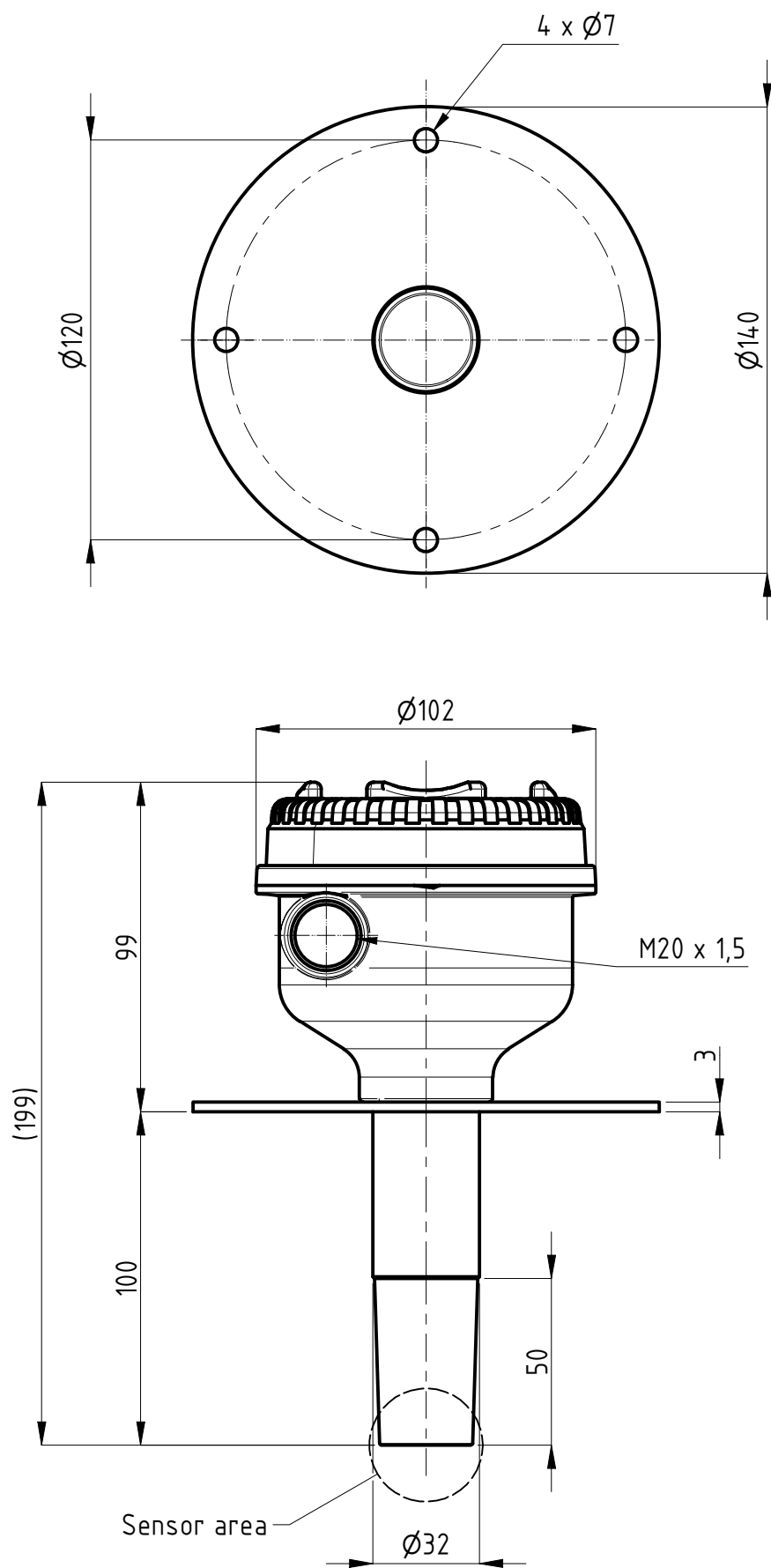
CONTACT POSITIONS WHEN ENERGIZED AND MATERIAL NOT PRESENT



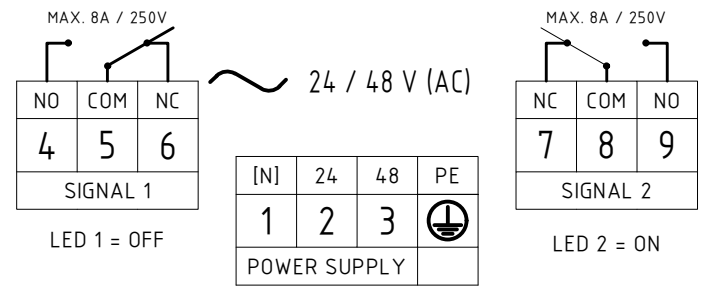
CONTACT POSITIONS WHEN ENERGIZED AND MATERIAL NOT PRESENT

Terminals : male FASTON (.250 series / 6,3x0,8 mm)

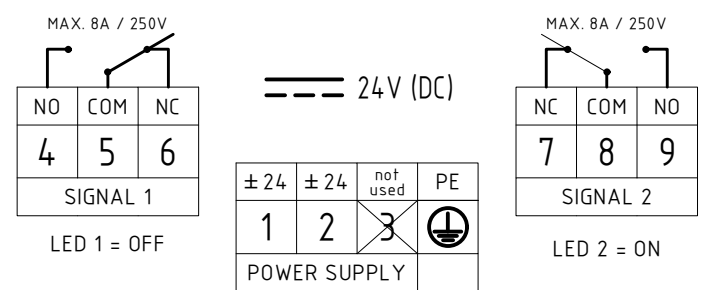
Model	PFG06		
Weight	0,8 [kg]		
Power supply	- Bivoltage 115/230[V] (50...60Hz) - 1[W] - Bivoltage 24/48[V] (50...60Hz) - 1[W] - DC 24[V] ±15% - 1[W]		
Intervention range	0 - 50 [mm]		
Signal	DPDT / max. 8[A]-250VAC		
IP grade	IP65		
Housing	Polyamide (reinforced)		
Connection	R 1" 1/2 - AISI304		
Ambient temperature	-20 < Ta < +70 [°C]		
Process temperature	-20 < Tp < +70 [°C]		
Pressure range	+0,8 ... +1,1 bar [abs]		
Directives	2011/65/EU (RoHS) 2014/30/EU (EMC) 2014/34/EU (ATEX) 2014/35/EU (LVD) 1935/2004/EU (Food Compliance)		
Ex Marking	Ex II 1/2 D Ex ta/tb IIIC T90°C Da/Db		
© CAMLogic Via dell'Industria 12 42025 Cavriago (RE) - ITALY www.camlogic.it			DRAWING N. 0602_009_0
			SHEET: 1 OF 4
GENERAL TOL.: ISO 2768-mH	UNLESS OTHERWISE SPECIFIED DIMENSION ARE IN [mm]	DRAWING FROM CAD SYSTEM - REFER TO 3D MODEL FOR MISSING DIMENSION - NO MANUAL MODIFICATION ALLOWED	SCALE: 1:2
			DRAWN NR DATE 21.09.2021



CONTACT POSITIONS WHEN ENERGIZED AND MATERIAL NOT PRESENT



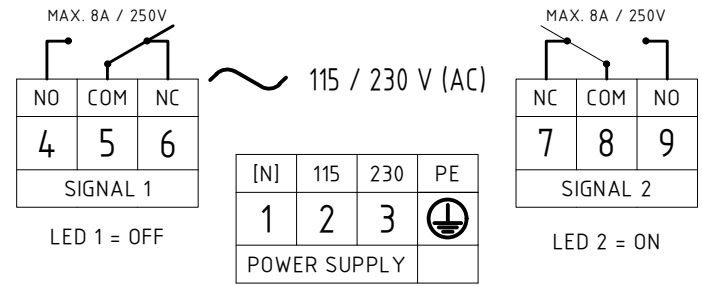
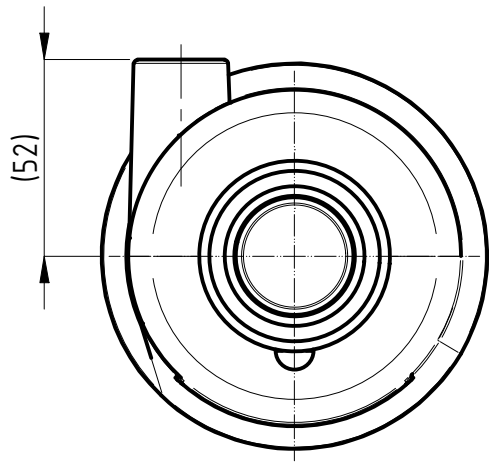
CONTACT POSITIONS WHEN ENERGIZED AND MATERIAL NOT PRESENT



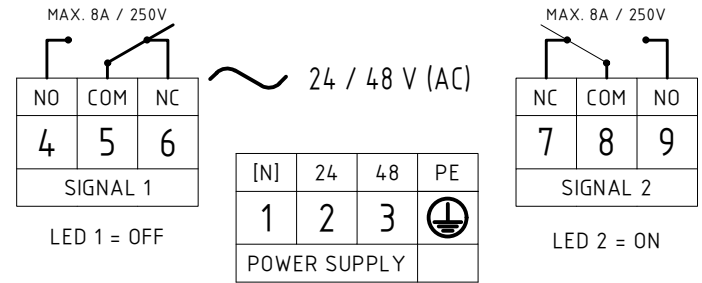
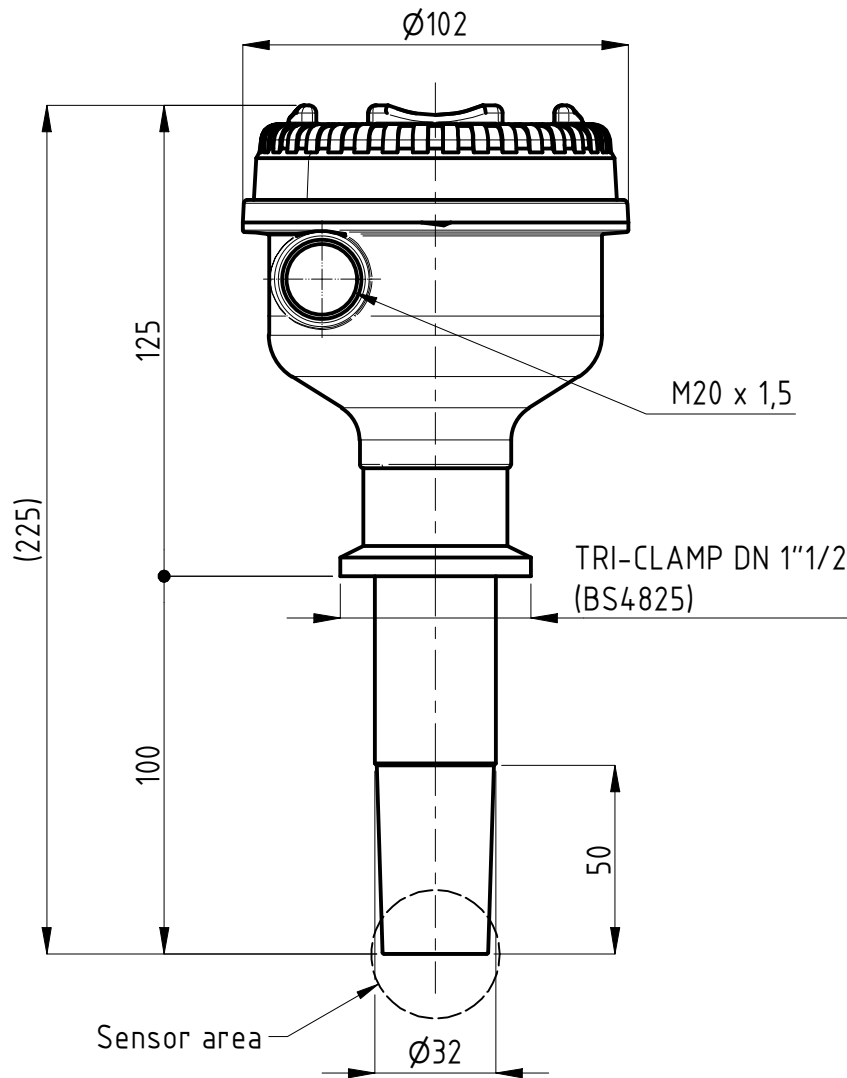
CONTACT POSITIONS WHEN ENERGIZED AND MATERIAL NOT PRESENT

Terminals : male FASTON (.250 series / 6,3x0,8 mm)

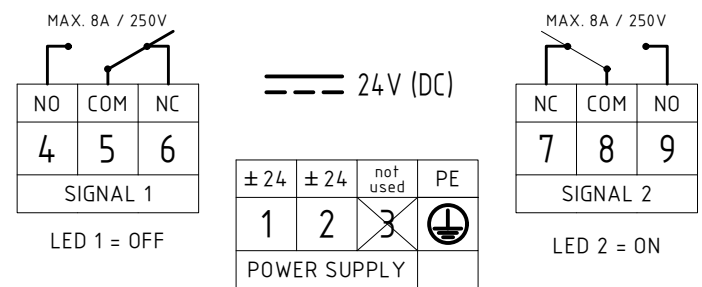
Model	PFG06F		
Weight	0,8 [kg]		
Power supply	- Bivoltage 115/230[V] (50...60Hz) - 1[W] - Bivoltage 24/48[V] (50...60Hz) - 1[W] - DC 24[V] ±15% - 1[W]		
Intervention range	0 - 50 [mm]		
Signal	DPDT / max. 8[A]-250VAC		
IP grade	IP65		
Housing	Polyamide (reinforced)		
Connection	Flange - AISI304		
Ambient temperature	-20 < Ta < +70 [°C]		
Process temperature	-20 < Tp < +70 [°C]		
Pressure range	+0,8 ... +1,1 bar [abs]		
Directives	2011/65/EU (RoHS) 2014/30/EU (EMC) 2014/34/EU (ATEX) 2014/35/EU (LVD) 1935/2004/EU (Food Compliance)		
Ex Marking	Ex II 1/2 D Ex ta/tb IIIC T90°C Da/Db		
© CAMLogic Via dell'Industria 12 42025 Cavriago (RE) - ITALY www.camlogic.it		DRAWING N.	SHEET:
		0602_009_0	2 OF 4
GENERAL TOL.: ISO 2768-mH	UNLESS OTHERWISE SPECIFIED DIMENSION ARE IN [mm]	DRAWING FROM CAD SYSTEM - REFER TO 3D MODEL FOR MISSING DIMENSION - NO MANUAL MODIFICATION ALLOWED	SCALE: 1:2
			REV: 0 DATE 21.09.2021



CONTACT POSITIONS WHEN ENERGIZED AND MATERIAL NOT PRESENT



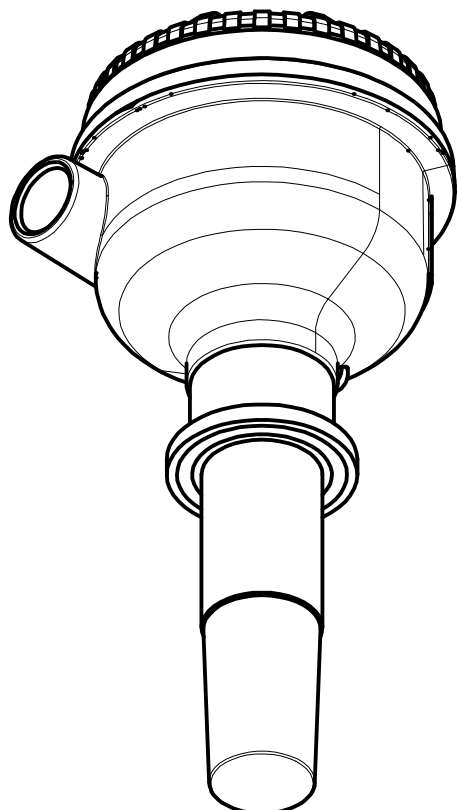
CONTACT POSITIONS WHEN ENERGIZED AND MATERIAL NOT PRESENT



CONTACT POSITIONS WHEN ENERGIZED AND MATERIAL NOT PRESENT

Terminals : male FASTON (.250 series / 6,3x0,8 mm)

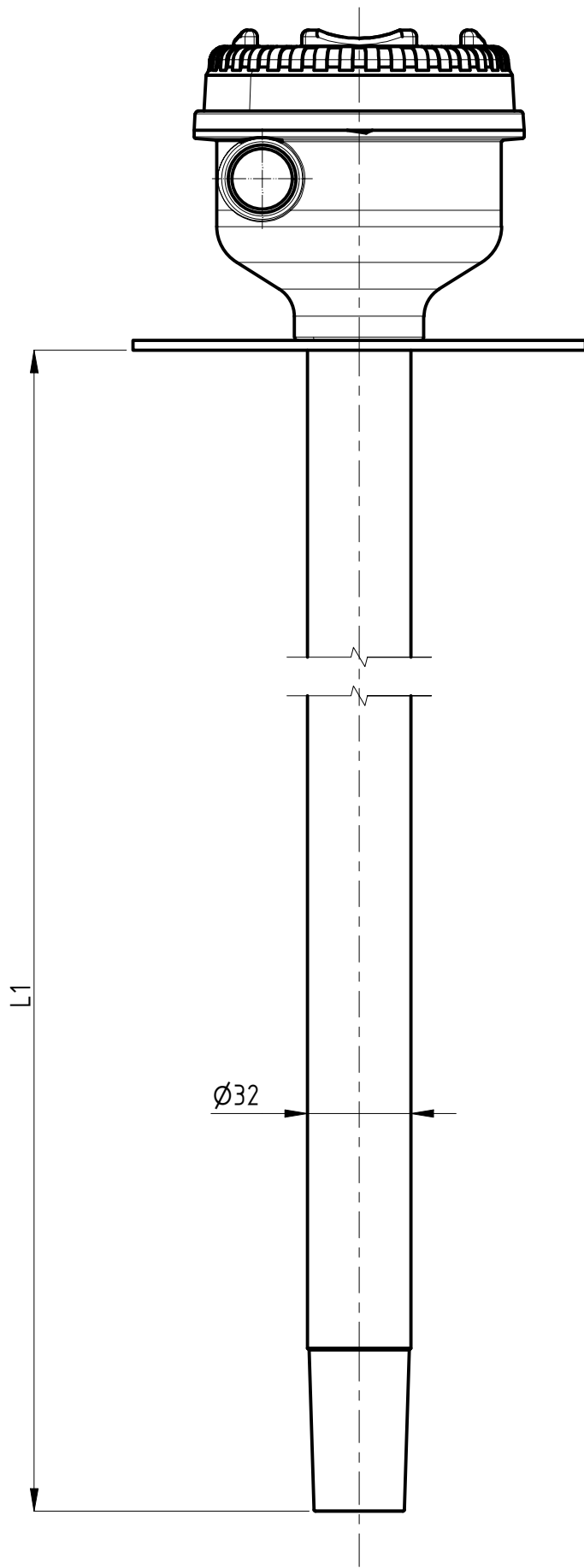
PFG06TC



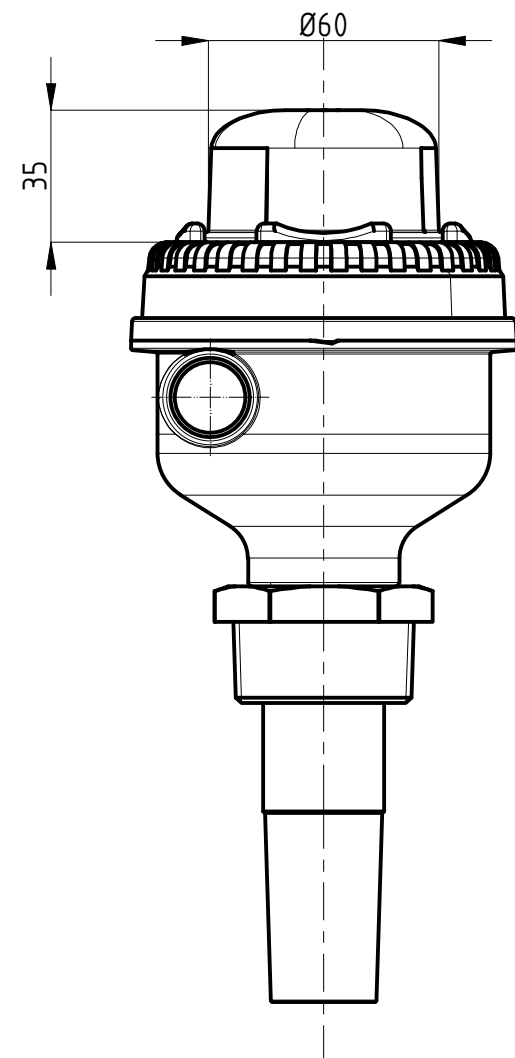
Model	PFG06TC
Weight	0,8 [kg]
Power supply	- Bivoltage 115/230[V] (50...60Hz) - 1[W] - Bivoltage 24/48[V] (50...60Hz) - 1[W] - DC 24[V] ±15% - 1[W]
Intervention range	0 - 50 [mm]
Signal	DPDT / max. 8[A]-250VAC
IP grade	IP65
Housing	Polyamide (reinforced)
Connection	TRICLAMP 1 1/2 - AISI304
Ambient temperature	-20 < Ta < +70 [°C]
Process temperature	-20 < Tp < +70 [°C]
Pressure range	+0,8 ... +1,1 bar [abs]
Directives	2011/65/EU (RoHS) 2014/30/EU (EMC) 2014/34/EU (ATEX) 2014/35/EU (LVD) 1935/2004/EU (Food Compliance)
Ex Marking	Ex II 1/2 D Ex ta/tb IIIC T90°C Da/Db

<p>® CAMLogic Via dell'Industria 12 42025 Cavriago (RE) - ITALY www.camlogic.it</p>	<p>CAMLogic®</p>	DRAWING N.	SHEET:
		0602_009_0	3 OF 4
GENERAL TOL.: ISO 2768-mH	UNLESS OTHERWISE SPECIFIED DIMENSION ARE IN [mm]	DRAWING FROM CAD SYSTEM - REFER TO 3D MODEL FOR MISSING DIMENSION - NO MANUAL MODIFICATION ALLOWED	SCALE: 1:2
			REV: 0 DRAWN NR DATE 21.09.2021

Extension with external protection
(stainless steel)



L1 [mm]
150
200
250
300
350
400
450
500
550
600
other lengths available on request, up to 2m



SIGNAL LAMP (PFG06../L)

Adds a LED lamp on top. The lamp could be connected to NC contact (MIN level - empty), or NO contact (MAX level - full).

Must define a single power supply voltage:
 24[V]
 48[V]
 115[V]
 230[V]