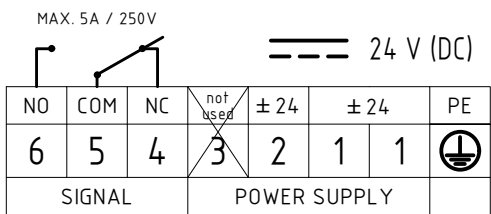
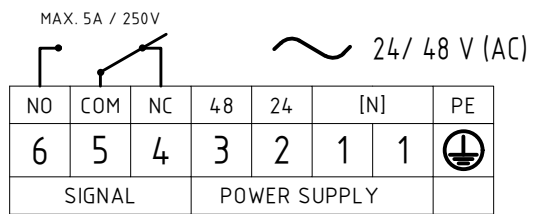
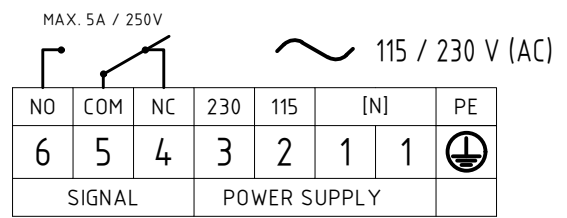
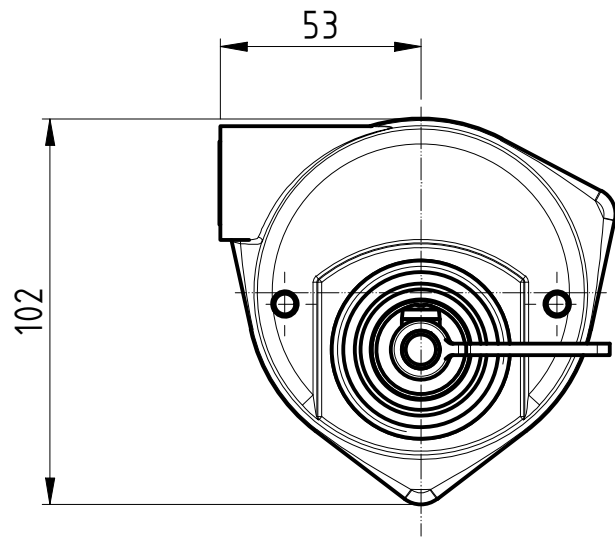
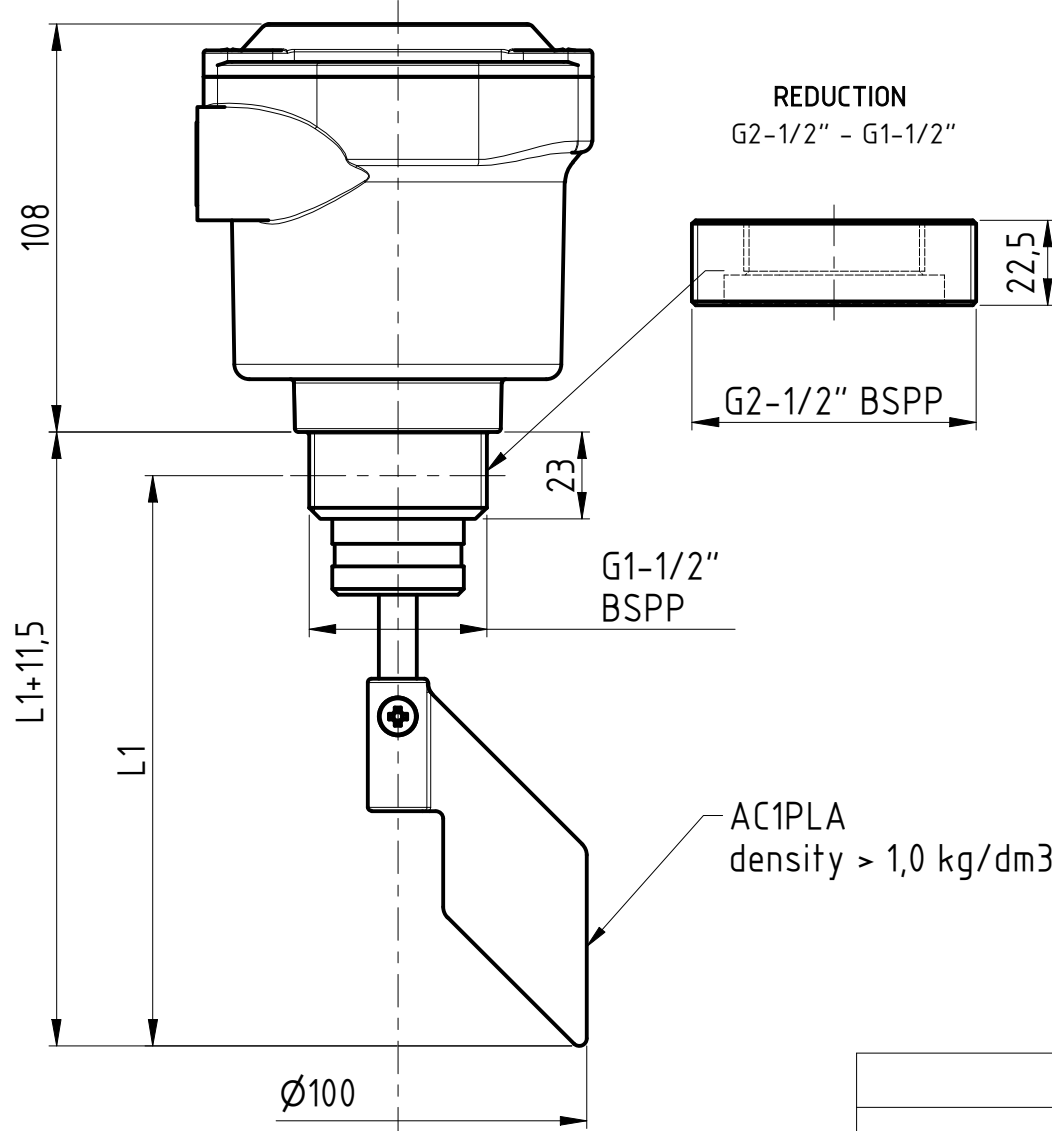


**CONFIDENTIAL / PROPRIETARY
DO NOT DISTRIBUTE**

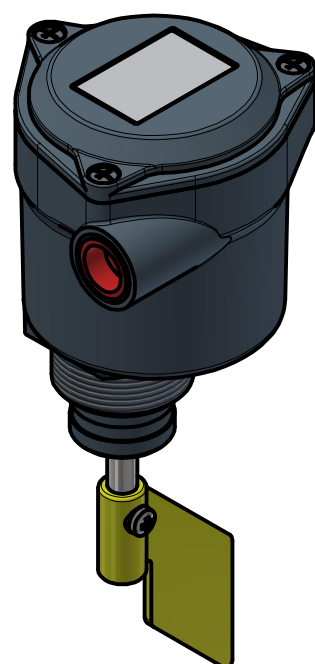
® CAMLogic
- ALL RIGHTS RESERVED -



Terminals : male FASTON (.250 series / 6,3x0,8 mm)

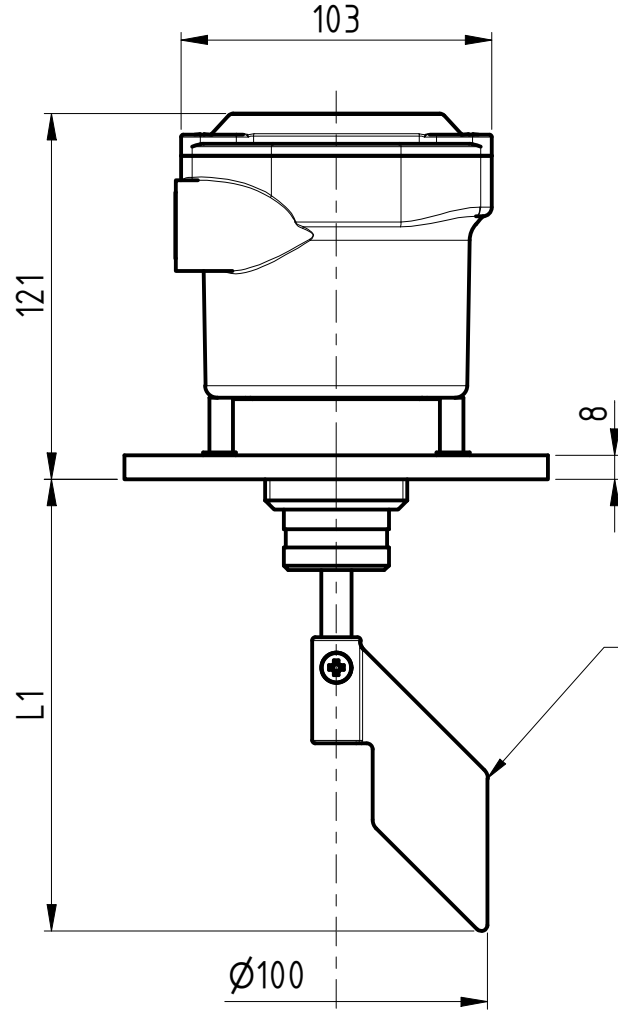
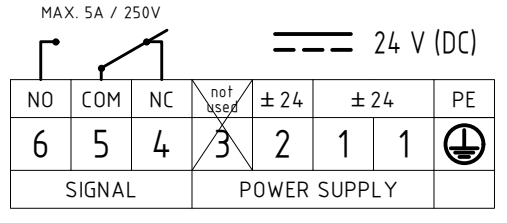
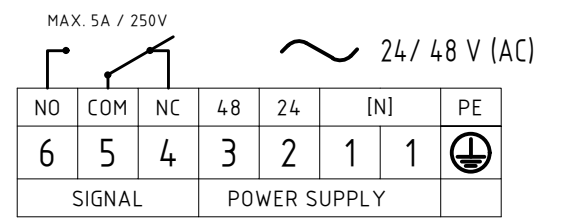
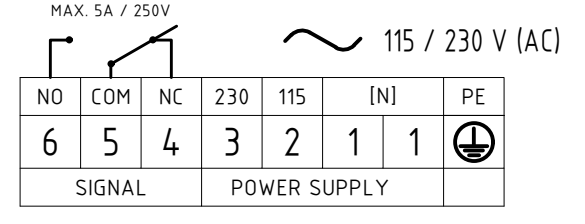
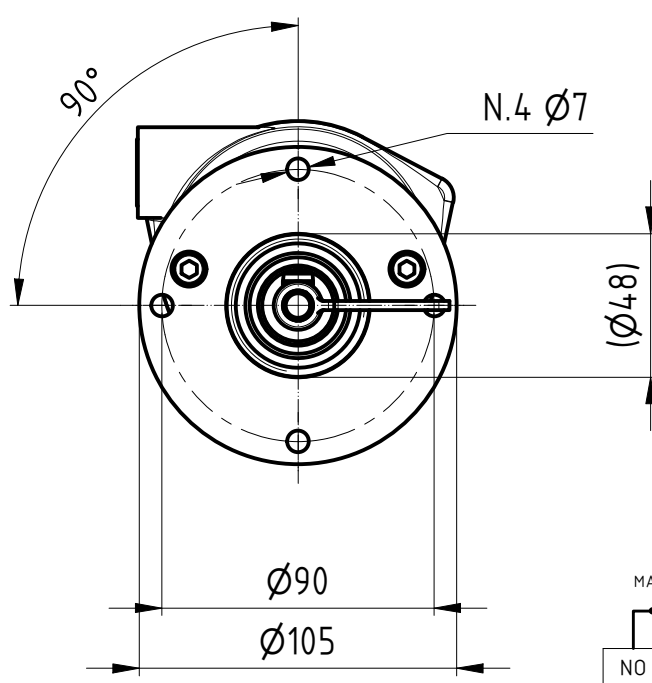
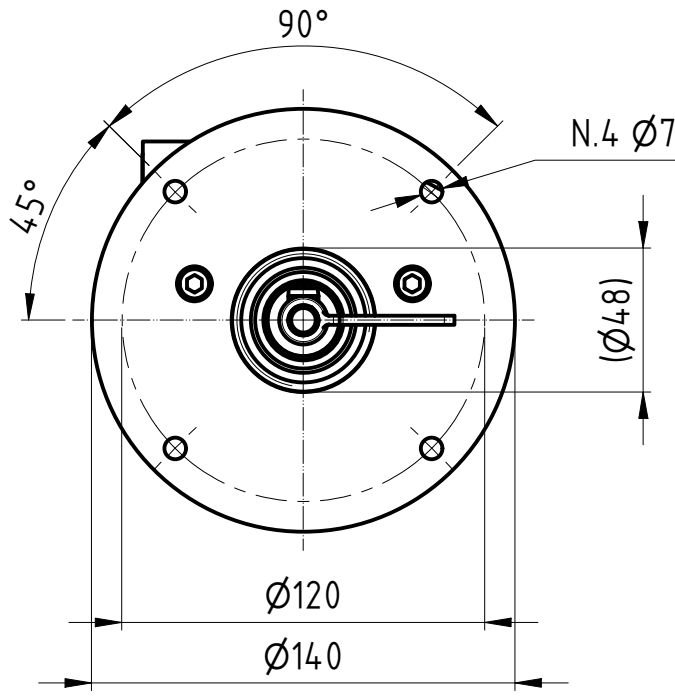


LENGHT (mm)	
L nom	L1
150	151
200	228
300	328
400	428
500	528



Model	TEC23
Weight	0,6 [kg]
Power supply	- Bivoltage 115/230[V] (50...60Hz) - 4[W] - Bivoltage 24/48[V] (50...60Hz) - 4[W] - DC 24[V] ±15% - 4[W]
Signal	SPDT / max. 5[A]-250VAC
IP grade	IP65
Housing	PA6
Connection	G 1" 1/2
Ambient temperature	-20 < Ta < +70 [°C] -40 < Ta < +70 [°C]
Process temperature	-20 < Tp < +70 [°C] -40 < Tp < +70 [°C]
Pressure range	+0,8 ... +1,1 bar [abs]
Directives	2014/30/EU (EMC) 2014/35/EU (LVD)
ATEX Marking	-
IECEX Marking	-

® CAMLogic Via Dell'Industria 12 42025 Cavriago (RE) - ITALY Web: www.camlogic.it		DRAWING NUMBER	
		0602_0038_00	
SCALE: 1 : 2	DESCRIPTION	DRAWN: Salati A.	08/05/2024
GENERAL TOL: ISO 2768-mH		TEC23	REV: 01
FILE: GR15_0001_00-00.iam	DRAWING FROM CAD SYSTEM - REFER TO 3D MODEL FOR MISSING DIMENSION - NO MANUAL MODIFICATION ALLOWED	UNLESS OTHERWISE SPECIFIED - DIMENSIONS ARE IN mm -	SHEET NO: 1 OF 6

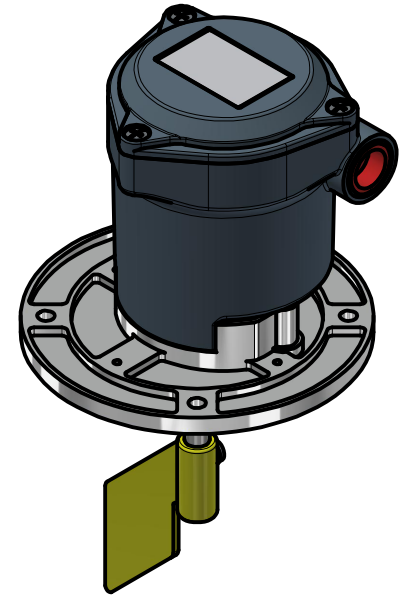
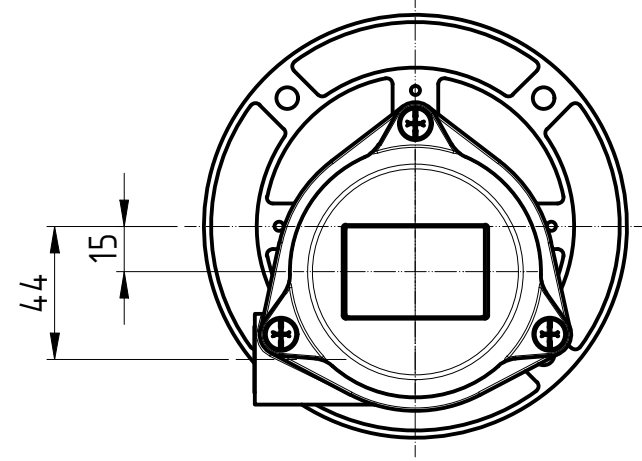


LENGHT (mm)	
L nom	L1
150	149
200	226
300	326
400	426
500	526

Terminals : male FASTON (.250 series / 6,3x0,8 mm)

Model	TEC23F
Weight	0,85 [kg]
Power supply	- Bivoltage 115/230[V] (50...60Hz) - 4[W] - Bivoltage 24/48[V] (50...60Hz) - 4[W] - DC 24[V] ±15% - 4[W]
Signal	SPDT / max. 5[A]-250VAC
IP grade	IP65
Housing	PA6
Connection	FLANGE - ALUMINIUM
Ambient temperature	-20 < Ta < +70 [°C] -40 < Ta < +70 [°C]
Process temperature	-20 < Tp < +70 [°C] -40 < Tp < +70 [°C]
Pressure range	+0,8 ... +1,1 bar [abs]
Directives	2014/30/EU (EMC) 2014/35/EU (LVD)
ATEX Marking	-
IECEX Marking	-

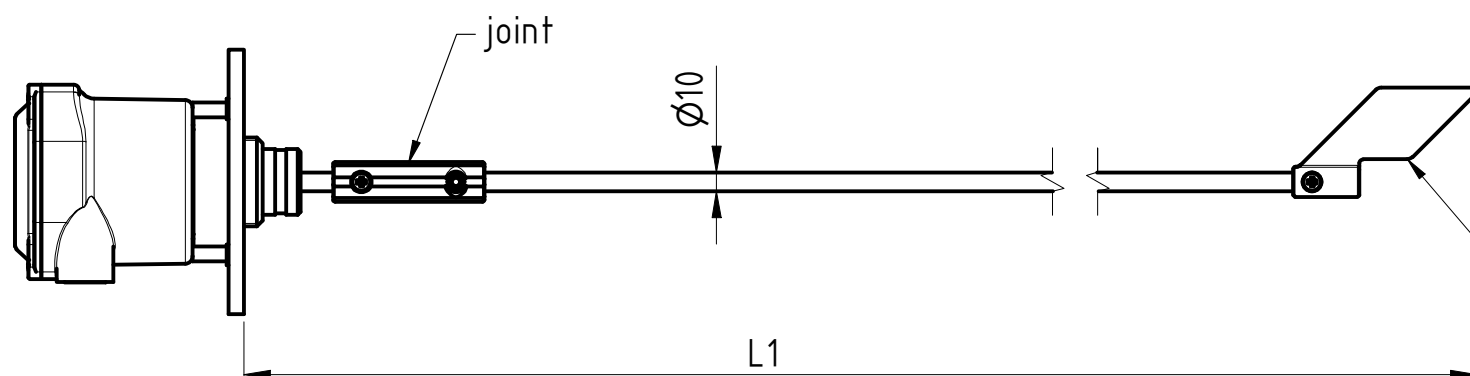
CAMLogic Via Dell'Industria 12 42025 Cavriago (RE) - ITALY Web: www.camlogic.it		DRAWING NUMBER	
		0602_0038_00	
SCALE: 1 : 3	DESCRIPTION	DRAWN: Salati A.	08/05/2024
GENERAL TOL: ISO 2768-mH	TEC23	REV: 01	SHEET: 2
FILE: GR15_0002_00-00.iam	DRAWING FROM CAD SYSTEM - REFER TO 3D MODEL FOR MISSING DIMENSION - NO MANUAL MODIFICATION ALLOWED	UNLESS OTHERWISE SPECIFIED - DIMENSIONS ARE IN mm -	SHEET NO: 2 OF 6



EXTENSIONS

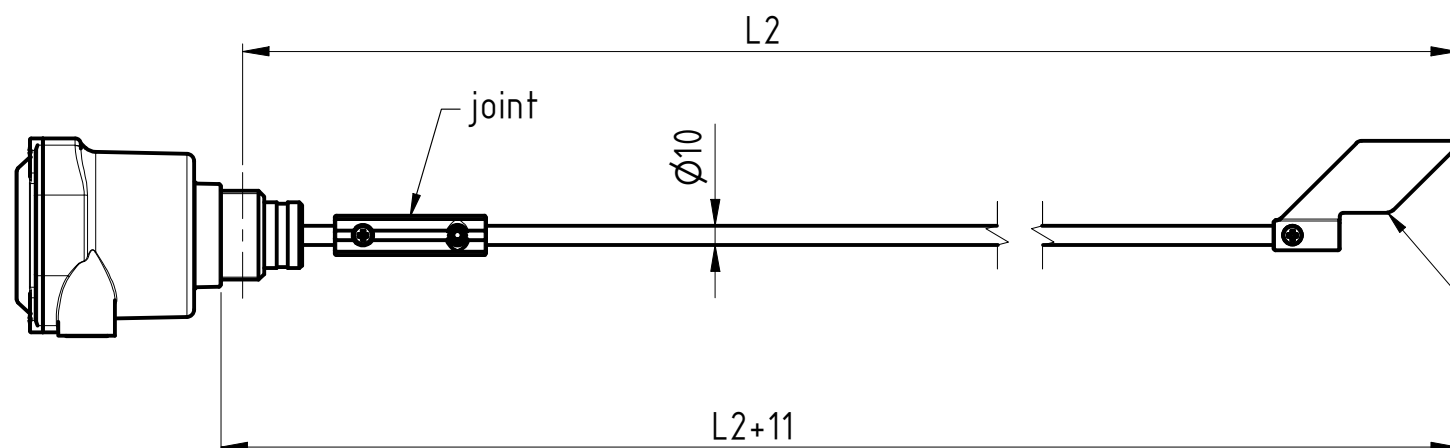
LENGHT (mm)

L nom	L1	L2
1000	949	951
1500	1449	1451



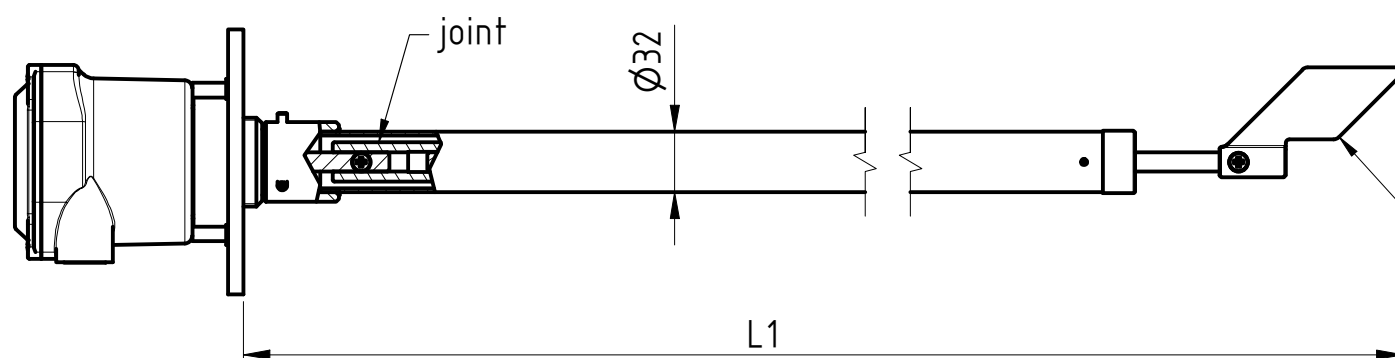
Extension with flange and without external protection
PSP: galvanized steel

AC1PLA
density > 1,0 kg/dm3



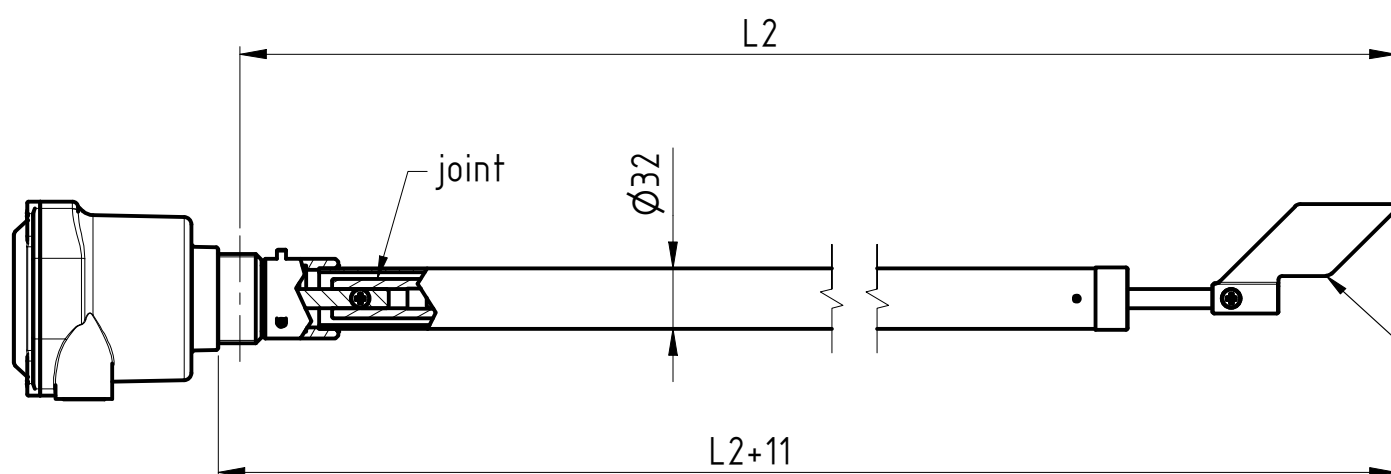
Extension without external protection
PSP: galvanized steel

AC1PLA
density > 1,0 kg/dm3



Extension with flange and external protection
PCP: galvanized steel

AC1PLA
density > 1,0 kg/dm3



Extension with external protection
PCP: galvanized steel

AC1PLA
density > 1,0 kg/dm3

NOTE: lenghts may slightly differ from the tables according to the type of connection, model type and paddle chosen

® CAMLogic
Via Dell'Industria 12
42025 Cavriago (RE) - ITALY
Web: www.camlogic.it



DRAWING NUMBER
0602_0038_00

DRAWN: Salati A. 08/05/2024

SCALE: 1 : 4
GENERAL TOL: ISO 2768-mH

DESCRIPTION
TEC23

REV: 01
SHEET: 3

FILE: GR15_0004_00-00.iam

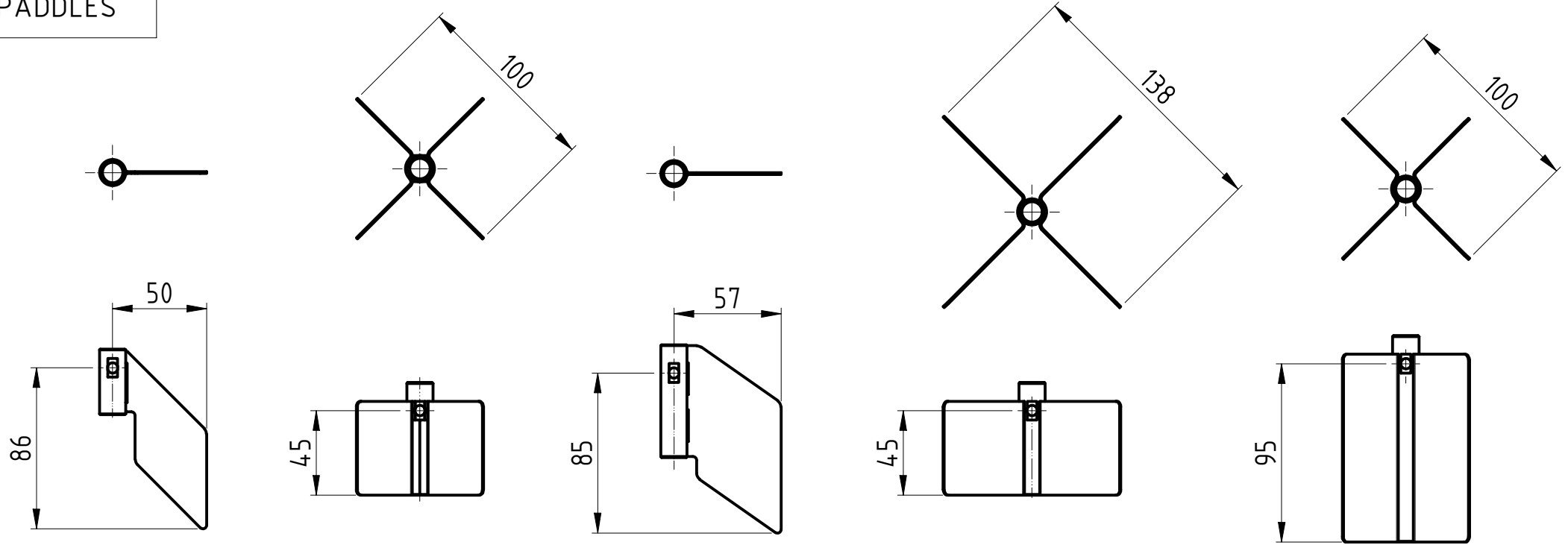
DRAWING FROM CAD SYSTEM - REFER TO 3D MODEL FOR MISSING DIMENSION - NO MANUAL MODIFICATION ALLOWED

UNLESS OTHERWISE SPECIFIED - DIMENSIONS ARE IN mm -

SHEET NO: 3 OF 6

SIZE UNI A3

PADDLES



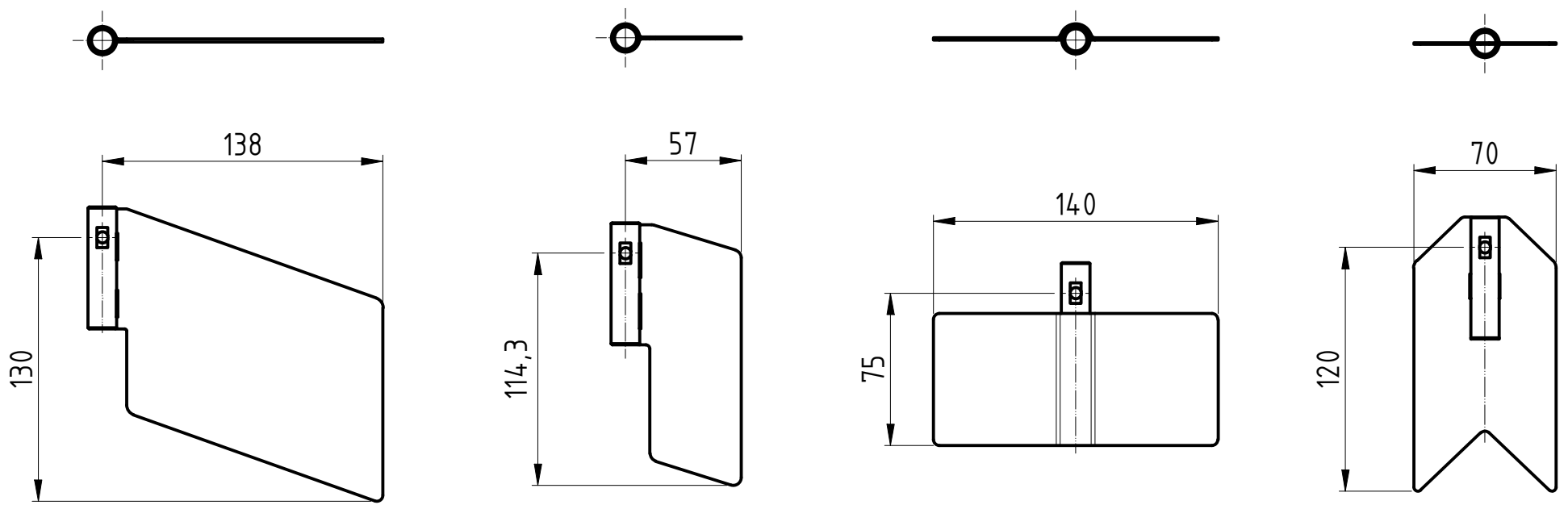
AC1 INOX
AISI 304
density > 1,0 kg/dm³

AC3 INOX
AISI 304
density > 0,3 kg/dm³

AC4 INOX
AISI 304
density > 0,5 kg/dm³

AC5 INOX
AISI 304
density > 0,2 kg/dm³

AC5L INOX
AISI 304
density > 0,2 kg/dm³

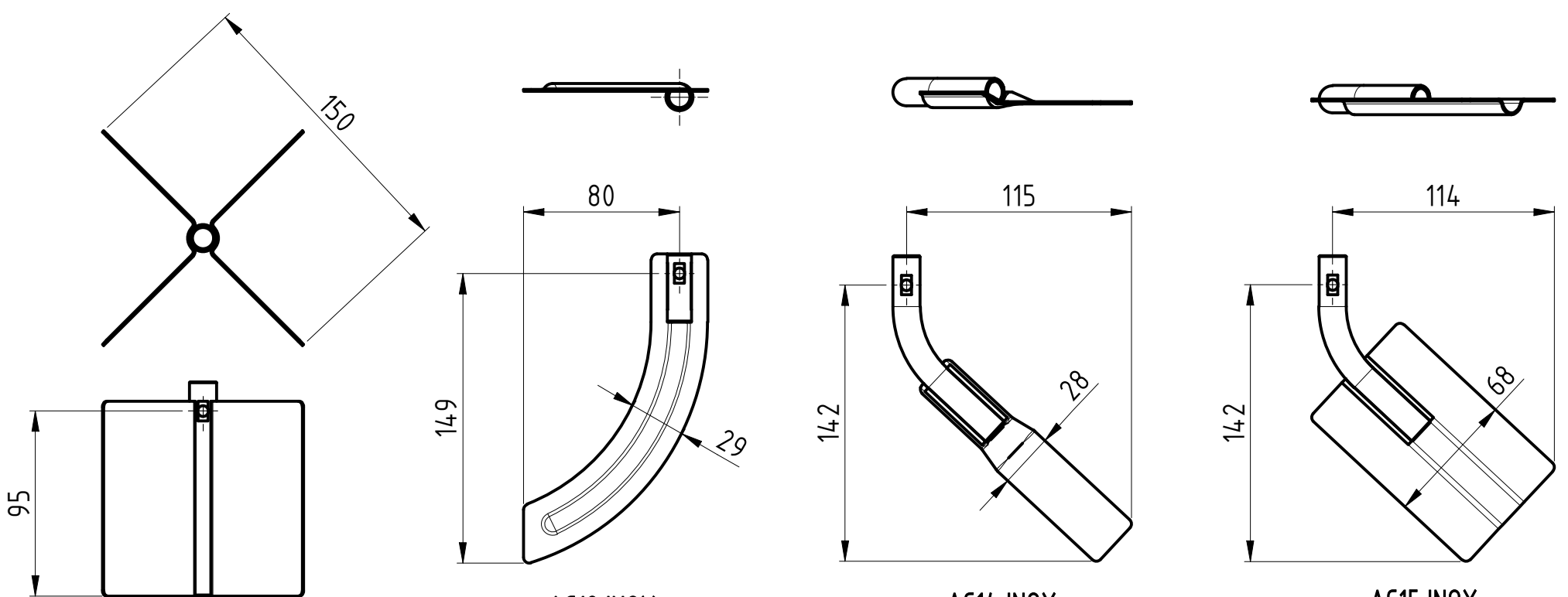


AC6 INOX
AISI 304
density > 0,1 kg/dm³

AC7 INOX
AISI 304
density > 0,3 kg/dm³

AC9 INOX
AISI 304
density > 0,2 kg/dm³

AC10 INOX
AISI 304
density > 0,6 kg/dm³



AC11 INOX
AISI 304
density > 0,1 kg/dm³

AC12 INOX
AISI 304
density > 0,4 kg/dm³

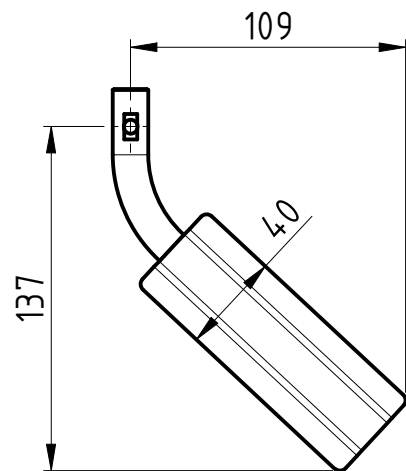
AC14 INOX
AISI 304
density > 0,4 kg/dm³

AC15 INOX
AISI 304
density > 0,2 kg/dm³

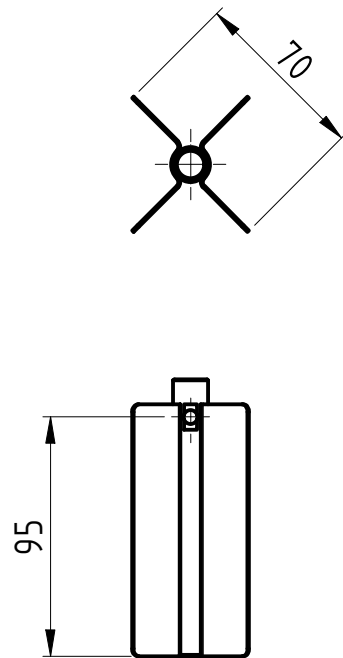
<p>CAMLogic Via Dell'Industria 12 42025 Cavriago (RE) - ITALY Web: www.camlogic.it</p>			<p>DRAWING NUMBER 0602_0038_00</p>	
	<p>SCALE: 1 : 3</p>		<p>DRAWN: Salati A. 23/06/2020</p>	
<p>GENERAL TOL: ISO 2768-mH</p>		<p>DESCRIPTION TEC23</p>		<p>REV: 01</p>
<p>FILE: 0404_0001_00-01.iam</p>		<p>DRAWING FROM CAD SYSTEM - REFER TO 3D MODEL FOR MISSING DIMENSION - NO MANUAL MODIFICATION ALLOWED</p>		<p>SHEET: 4</p>
			<p>UNLESS OTHERWISE SPECIFIED - DIMENSIONS ARE IN mm -</p>	<p>SHEET NO: 4 OF 6</p>

SIZE UNI A3

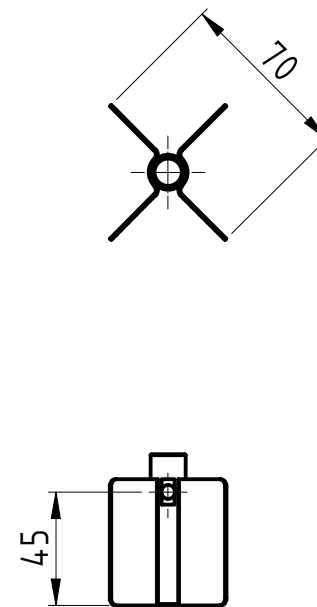
PADDLES



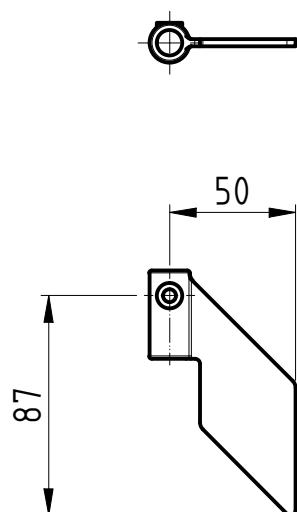
AC16 INOX
 AISI 304
 density > 0,3 kg/dm3



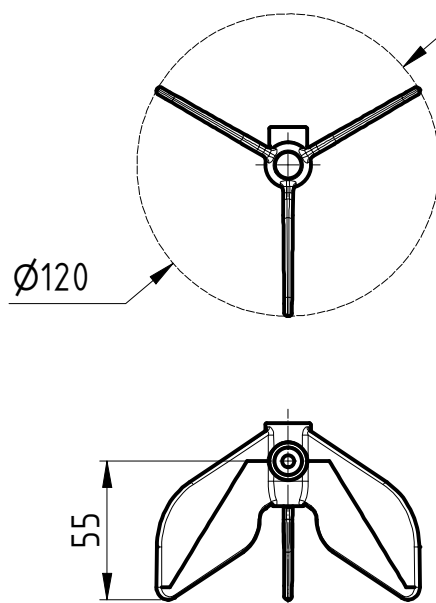
AC17 INOX
 AISI 304
 density > 0,4 kg/dm3



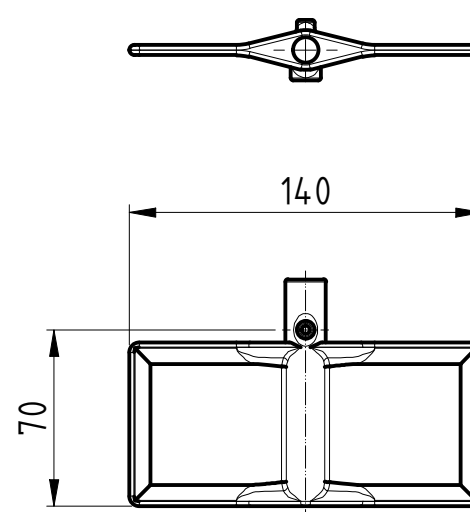
AC18 INOX
 AISI 304
 density > 0,7 kg/dm3



AC1 PLA
 PA 6
 density > 1,0 kg/dm3



AC2 PLA
 PA 6
 density > 0,3 kg/dm3



AC9 PLA
 PA 6
 density > 0,2 kg/dm3

® **CAMLogic**
 Via Dell'Industria 12
 42025 Cavriago (RE) - ITALY
 Web: www.camlogic.it

CAMLogic®

DRAWING NUMBER
0602_0038_00

DRAWN: Salati A. 23/06/2020

SCALE: 1 : 3
 GENERAL TOL: ISO 2768-mH

DESCRIPTION
TEC23

REV: 01
 SHEET: 5

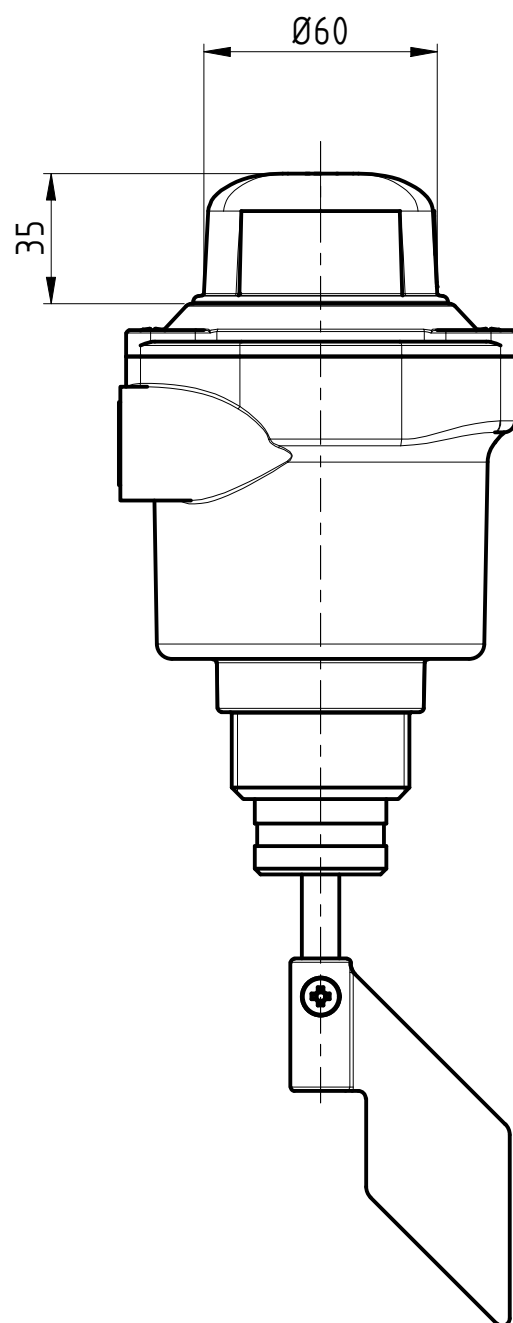
FILE: 0404_0020_00-00.iam

DRAWING FROM CAD SYSTEM - REFER TO 3D MODEL FOR MISSING DIMENSION - NO MANUAL MODIFICATION ALLOWED

UNLESS OTHERWISE SPECIFIED - DIMENSIONS ARE IN mm -

SHEET NO: 5 OF 6

OPTIONS



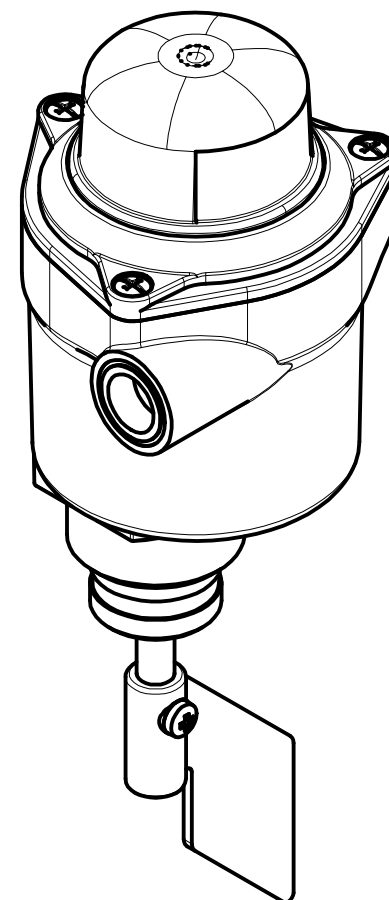
SIGNAL LAMP

Adds a LED lamp on top. The lamp cloud be connected to NC contact (MIN level - empty), or NO contact (MAX level - full).

Must define a single power supply voltage:

- 24[V]
- 48[V]
- 115[V]
- 230[V]

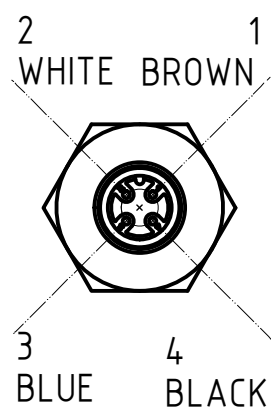
TEC23L



M12 CIRCULAR CONNECTOR

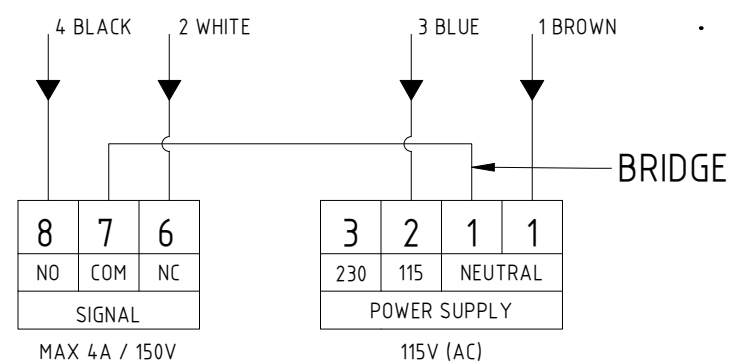
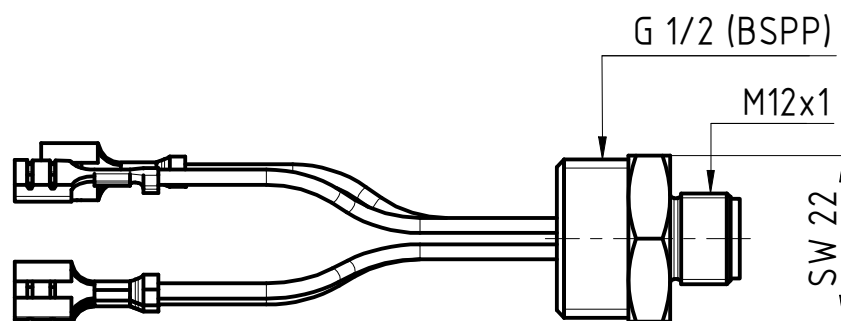
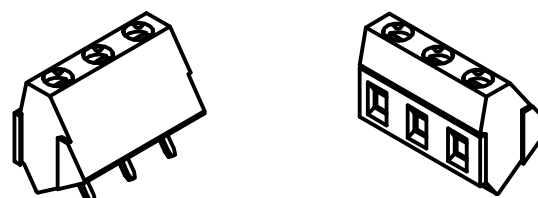
It is possible to add the 4-poles M12 circular connector, for a quick and reliable electrical connection. It is mounted through a G 1/2 reduction on the M21 cable entry, and is therefor only available for models with a G 1/2 cable entry. Rated a power supply of up to 150V (AC/DC), max. contacts capacity 2A.

M12 pole N.	Color	Signal
1	BROWN	NEUTRAL
2	WHITE	NC
3	BLUE	115V (AC)
4	BLACK	NO



SCREW TERMINAL BLOCK

Terminals with screw terminal design. (flat head)
0,05-2,5 mm² (AWG30 - AWG12)



<p>CAMLogic Via Dell'Industria 12 42025 Cavriago (RE) - ITALY Web: www.camlogic.it</p>	<p>CAMLogic®</p>	DRAWING NUMBER	
		0602_0038_00	
SCALE: 1 : 2	DESCRIPTION	DRAWN: Salati A.	08/05/2024
GENERAL TOL: ISO 2768-mH	TEC23		REV: 01
FILE: GR15_0008_00-00.iam	DRAWING FROM CAD SYSTEM - REFER TO 3D MODEL FOR MISSING DIMENSION - NO MANUAL MODIFICATION ALLOWED	UNLESS OTHERWISE SPECIFIED - DIMENSIONS ARE IN mm -	SHEET NO: 6 OF 6

SIZE UNI A3