



LEVEL INDICATOR

TEC23

Product Line: **Rotary**

Small-sized bladed level particularly suitable for use on small tanks or batching cells.
Version with male thread G 1" 1/2.

ADVANTAGES

- An **EASY TO INSTALL** instrument that does not require any calibration, maintenance or specific tool for its installation.
- Thanks to the wide choice of paddles, all of which are interchangeable, it is **ADAPTABLE** to the different densities of the measured materials.
- Extremely **VERSATILE**, it can be installed on tanks, hoppers, on walls or roofs of silos, in a vertical, horizontal or oblique position.
- **CUSTOMIZABLE** with paddles, extensions, voltages.
- **DURABLE** and **RELIABLE** with plastic PA6 casing and aluminium cover and electrical connection via anti-vibration faston terminals.
Works with ambient temperatures from -20° to +70°C.



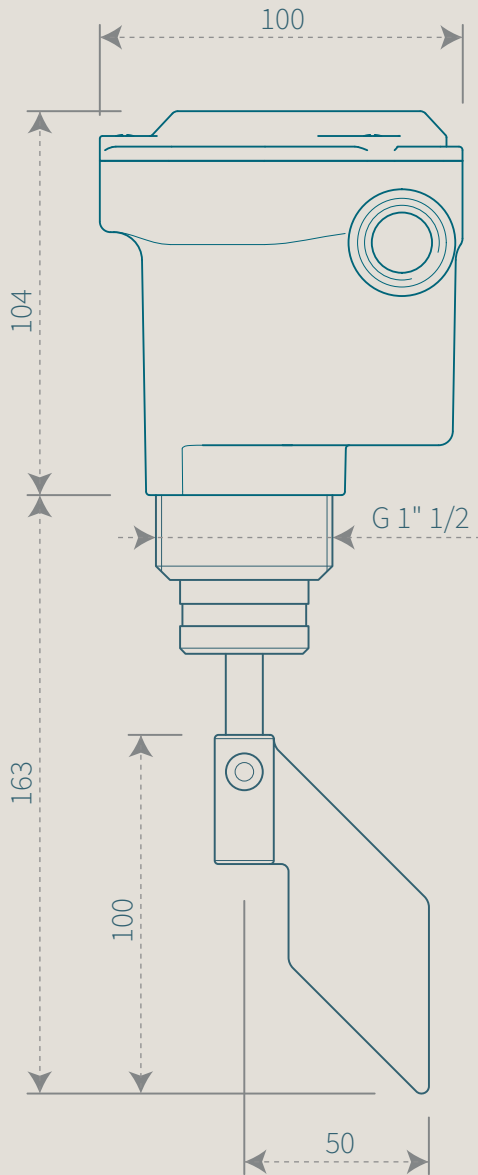
Solids

LEVEL INDICATOR TEC23

Product Line: **Rotary**



Solids



Customizations



115/230V AC



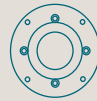
24/48V AC



24V DC



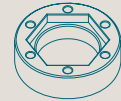
Lamp



ø140 aluminium
flange



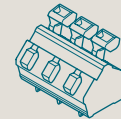
ø105 aluminium
flange



Aluminium reducer
2" 1/2 x 1" 1/2



Screw
terminal blocks



Spring
terminal blocks



M12
Circular
connector

Extensions

In galvanized steel.

- With or without protection, up to **1500 mm**

Compatible paddles

For information on the range of available paddles, refer to the dedicated brochure.

