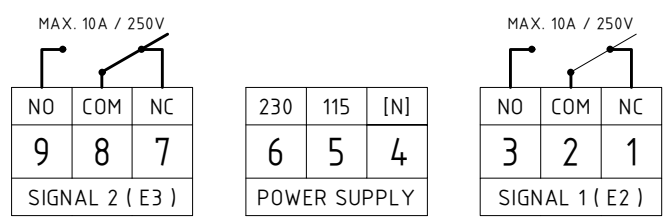
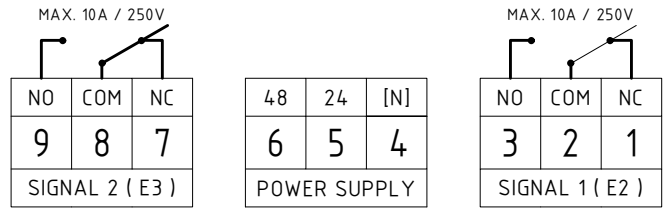


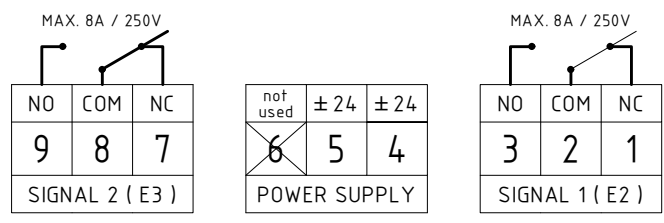
Terminals : male FASTON (.250 series / 6,3x0,8 mm)



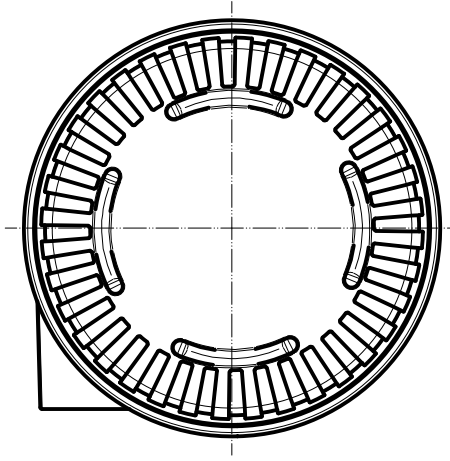
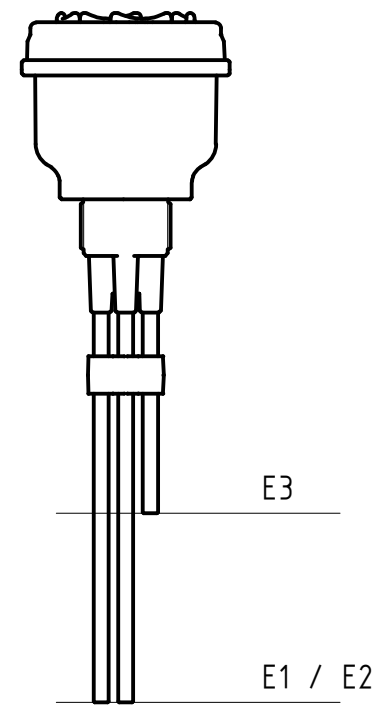
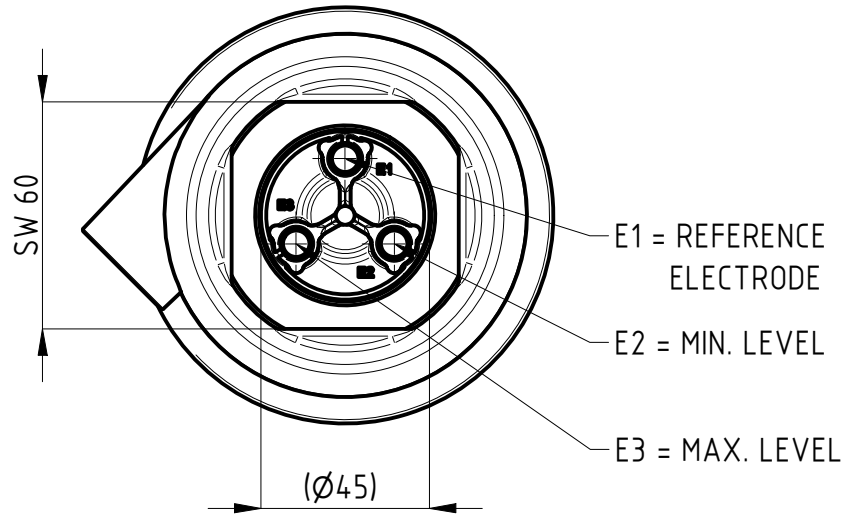
LED 2 = OFF \sim 115/ 230 V (AC) LED 1 = OFF
CONTACT POSITIONS WHEN ENERGIZED AND MATERIAL NOT PRESENT



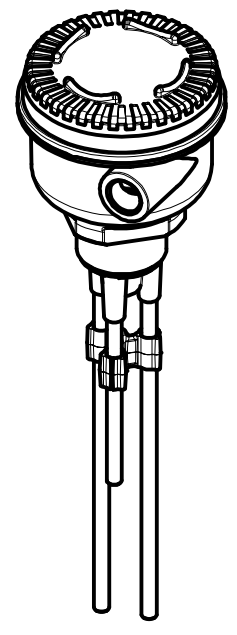
LED 2 = OFF \sim 24/ 48 V (AC) LED 1 = OFF
CONTACT POSITIONS WHEN ENERGIZED AND MATERIAL NOT PRESENT



LED 2 = OFF \equiv 24V (DC) LED 1 = OFF
CONTACT POSITIONS WHEN ENERGIZED AND MATERIAL NOT PRESENT



(1 : 4)



Model	CLC40
Weight	2,2 [kg]
Power supply	- Bivoltage 115/230[V] (50...60Hz) - 1[W] - Bivoltage 24/48[V] (50...60Hz) - 1[W] - DC 24[V] \pm 15% - 1[W]
Signal	SPDT / max. 8[A]-250VAC
IP grade	IP67
Sensitivity	minimum liquid conductance 5 μ S/cm
Housing	Polyamide (reinforced)
Connection	G 1" 1/2 - polyamide
Electrode material	AISI 316
Ambient temperature	-10 < Ta < +70 [°C]
Process temperature	-10 < Tp < +90 [°C]
MAX liquid temperature	+90[°C]
MAX Pressure	+8 [bar]
Directives	2011/65/EU (RoHS) 2014/30/EU (EMC) 2014/35/EU (LVD) 1935/2004/EU (Food Compliance)

**CONFIDENTIAL / PROPRIETARY
DO NOT DISTRIBUTE**
© CAMLogic
- ALL RIGHTS RESERVED -

© CAMLogic
Via dell'Industria 12
42025 Cavriago (RE) - ITALY
www.camlogic.it

CAMLogic®

DRAWING N.
0602_0018_00

SHEET:
1 OF 2

GENERAL TOL.: ISO 2768-mH

UNLESS OTHERWISE SPECIFIED
DRAWING FROM CAD SYSTEM - REFER TO 3D MODEL FOR
MISSING DIMENSION - NO MANUAL MODIFICATION ALLOWED

SCALE: **1 : 2**

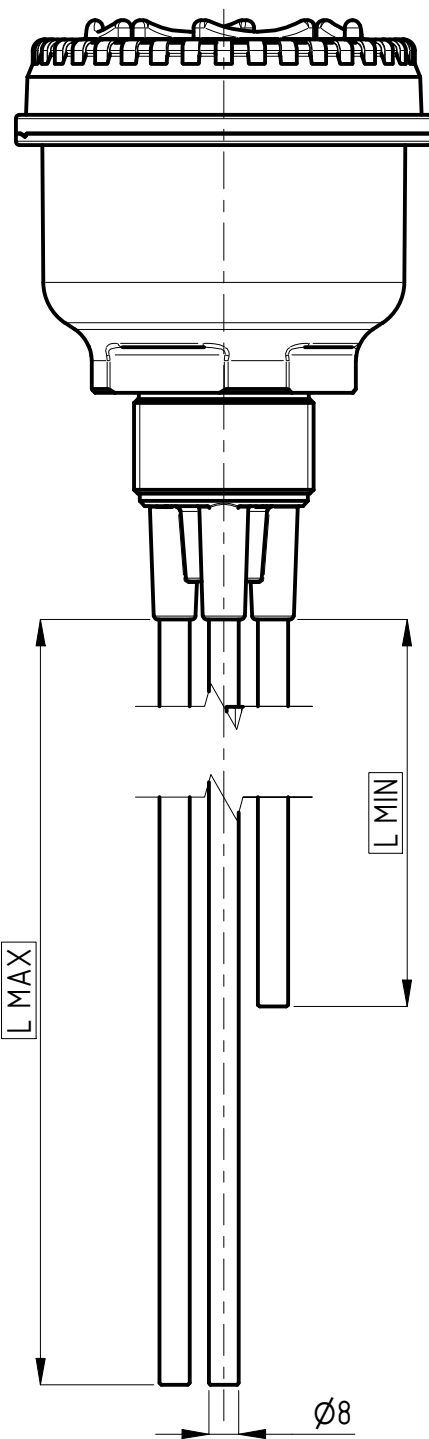
DRAWN NR
DATE 02.11.2021

EXTENSIONS

CONFIDENTIAL / PROPRIETARY
DO NOT DISTRIBUTE

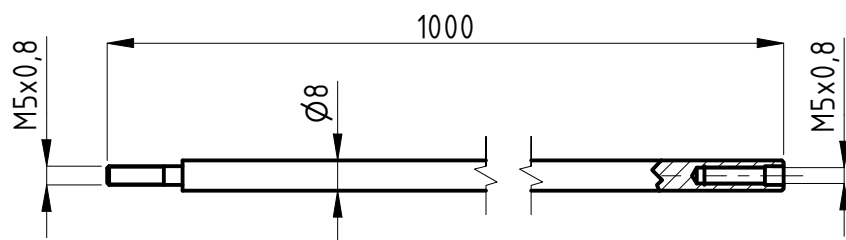
® CAMLogic
- ALL RIGHTS RESERVED -

L MAX / L MIN [mm]
10
120
220
420
920
1420
1920
2920
3920
4920
5920
other lengths available on request, up to 6 m



NOTES :

- 1) lengths may slightly differ from the table value (+/- 5[mm])
- 2) electrodes can be shorted on site
- 3) electrodes longer than 3 meters will be supplied with a 3 meter section plus 1 meter extensions each (shown below) up to the desired length



® CAMLogic Via dell'Industria 12 42025 Cavriago (RE) - ITALY www.camlogic.it	CAMLogic ®	DRAWING N.	SHEET:
		0602_0018_00	2 OF 2
GENERAL TOL.: ISO 2768-mH	UNLESS OTHERWISE SPECIFIED DIMENSION ARE IN [mm]	DRAWING FROM CAD SYSTEM - REFER TO 3D MODEL FOR MISSING DIMENSION - NO MANUAL MODIFICATION ALLOWED	REV: 00
		SCALE: 1:2	DRAWN NR DATE: 19.10.2021

SIZE UNI A4