



Airwork's pneumatic valves combine big resistance, reliability and versatility of assemblage; the VK series can be assembled in several ways:
 In-line, on panel, on multiple bases, on manifolds and on cylinders.
 Available size are 1/8, 1/4 and 1/2, the available functions are 3/2, 5/2 e 5/3.

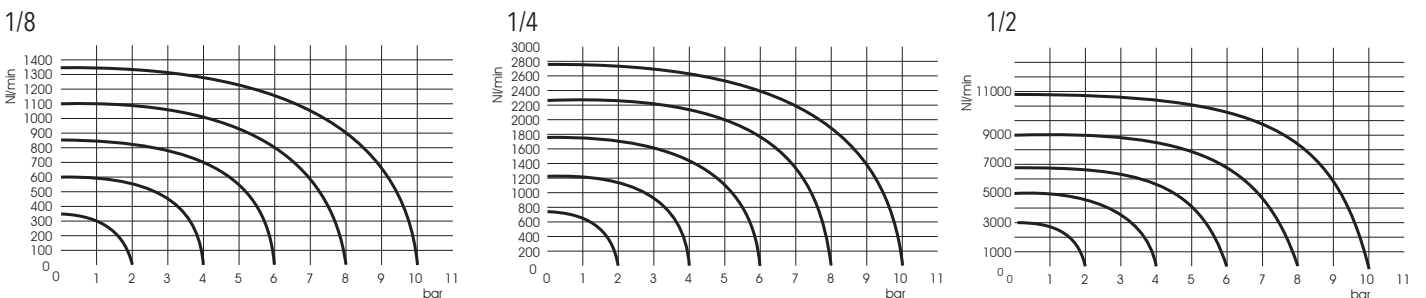
**La série des distributeurs pneumatiques à raccordement direct série VK a des caractéristiques multiples de robustesse, de fiabilité et de montage.
 En ligne, sur embase multiple, assemblée et directement sur le vérin.
 Elle est disponible en taille 1/8-1/4 et 1/2 ainsi qu'en fonction 3/2, 5/2 et 5/3.**

La serie di valvole pneumatiche di Airwork, possiedono caratteristiche di grande robustezza, affidabilità e versatilità di montaggio, infatti la serie VK si possono montare in diversi modi: in linea, a parete, su base multipla, su collettori e persino su cilindro. Sono disponibili in tra taglie 1/8, 1/4 e 1/2 nelle funzioni 3/2, 5/2 e 5/3.

TECHNICAL DATA / DONNÉES TECHNIQUES / DATI TECNICI

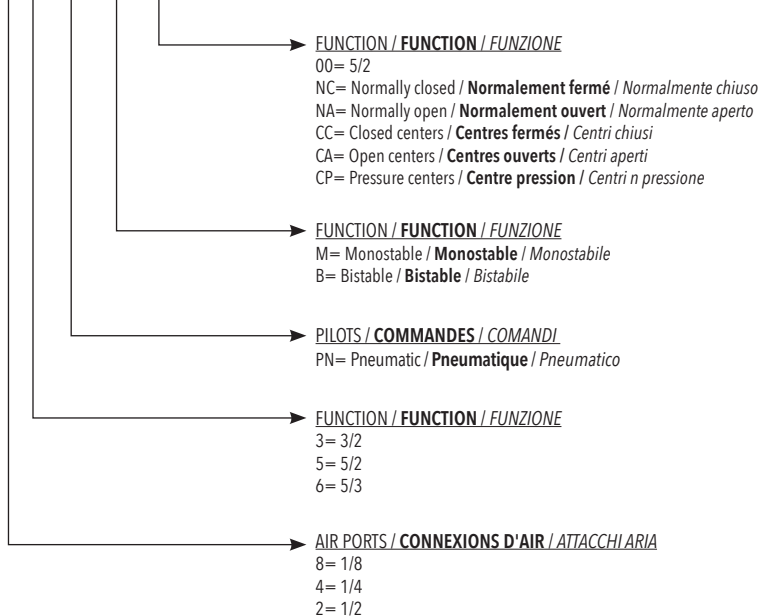
	1/8	1/4	1/2
Flow rate 6 bar Δp 1 bar / Débit à 6 bar Δp 1 bar / Portata a 6 bar Δp 1 bar	550 NI/min	1100 NI/min	4600NI/min
Nominal orifice / Diamètre nominal / Diametro nominale	5mm	7.5mm	13mm
Response times mono-stable / Temps réponse monostable / Tempi risposta monostabile	TRA 6ms / TRR 15ms	TRA 7ms / TRR 15ms	TRA 24ms / TRR 43ms
Response times bi-stable / Temps réponse bistable / Tempi risposta bistabile	TRA 7ms / TRR 7ms	TRA 7ms / TRR 7ms	TRA 30ms / TRR 30 ms
Coils tension / Tension bobine / Tensione bobine	12VDC - 24VDC - 24VAC - 110VAC - 220VAC 50/60Hz		
Pressure range / Pression d'utilisation / Pressione di esercizio	2.5 ÷ 10bar		
Temperature range / Temperature d'utilisation / Temperatura di esercizio	-10°C ÷ +60°C		

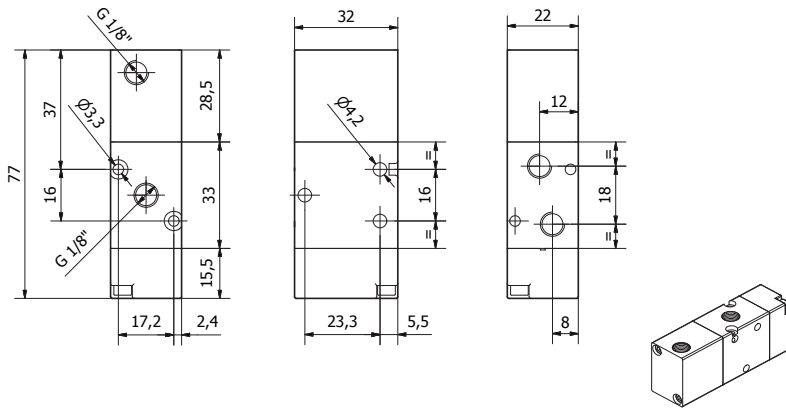
FLOW RATES / COURBE DE DEBIT / PORTATE



ORDERING CODE / CODIFICATION / CHIAVE DI CODIFICA

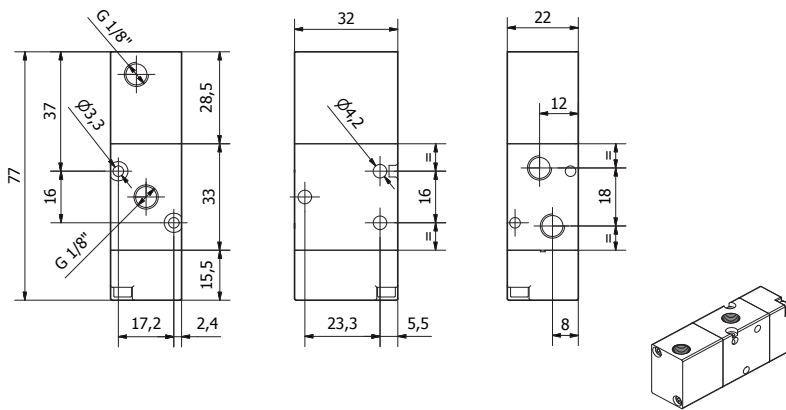
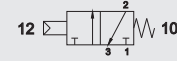
V K 8 5 P N M 0 0 - T





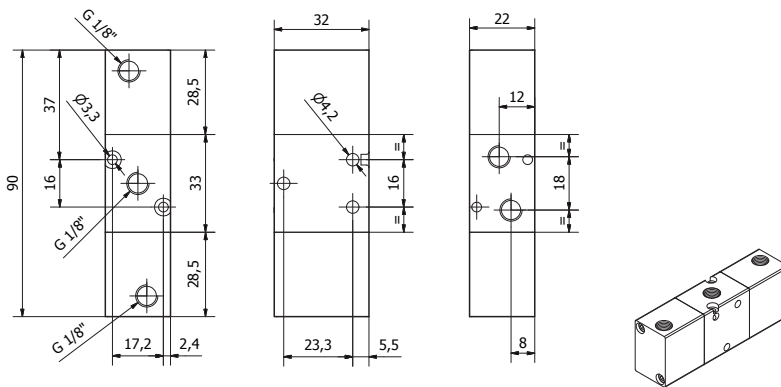
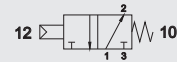
1/8 - 3/2 NC monostable
1/8 - 3/2 NF monostable
1/8 - 3/2 NC monostabile

CODE
VK83PNMNC-T



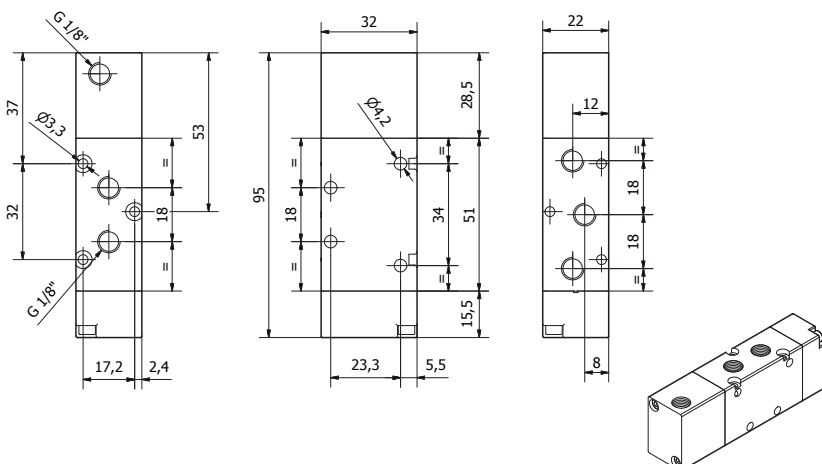
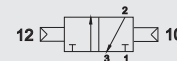
1/8 - 3/2 NO monostable
1/8 - 3/2 NO monostable
1/8 - 3/2 NA monostabile

CODE
VK83PNMNA-T



1/8 - 3/2 bistable
1/8 - 3/2 bistable
1/8 - 3/2 bistabile

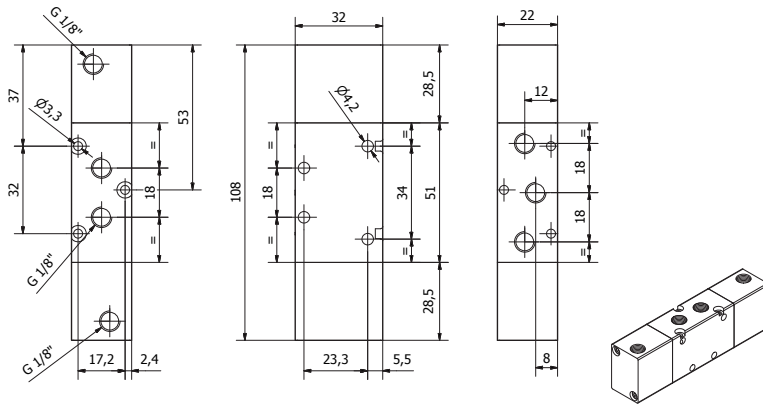
CODE
VK83PNB00-T



1/8 - 5/2 monostable
1/8 - 5/2 monostable
1/8 - 5/2 monostabile

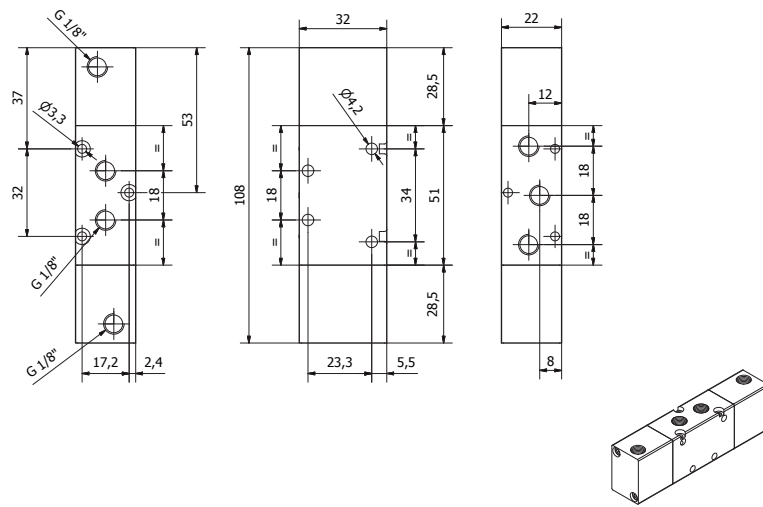
CODE
VK85PNM00-T





1/8 - 5/2 bistable
1/8 - 5/2 bistable
 1/28 - 5/2 bistabile

CODE
VK85PNB00-T



1/8 - 5/3 monostable
1/8 - 5/3 monostable
 1/8 - 5/3 monostabile

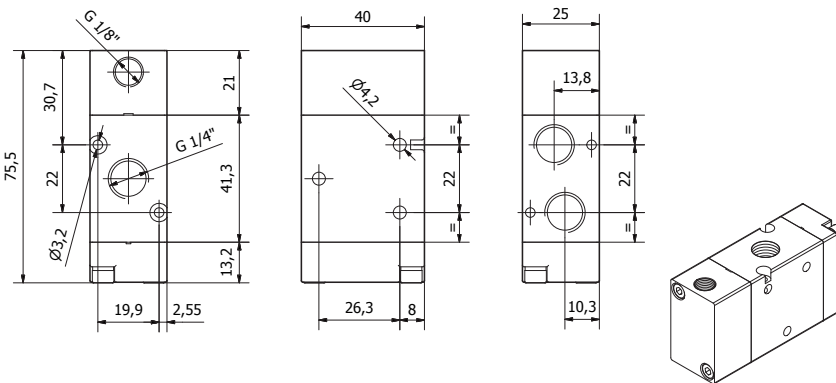
CODE
VK86PNMCC-T CC / CF / CC



CODE
VK86PNMCA-T CO / CO / CA

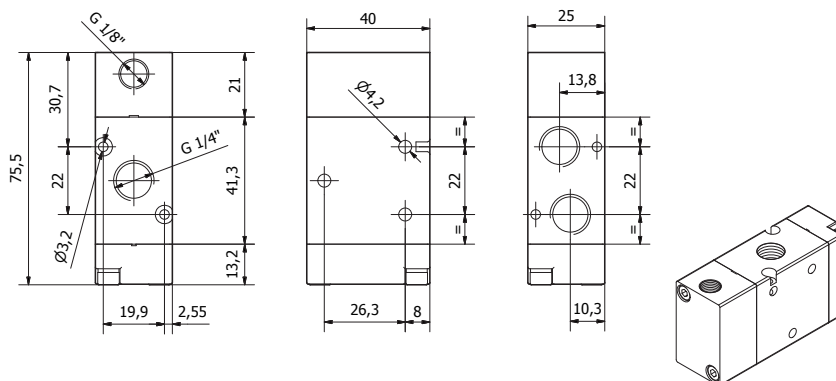
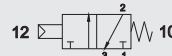


CODE
VK86PNMCP-T CP / CP / CP



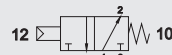
1/4 - 3/2 NC monostable
1/4 - 3/2 NF monostable
 1/4 - 3/2 NC monostabile

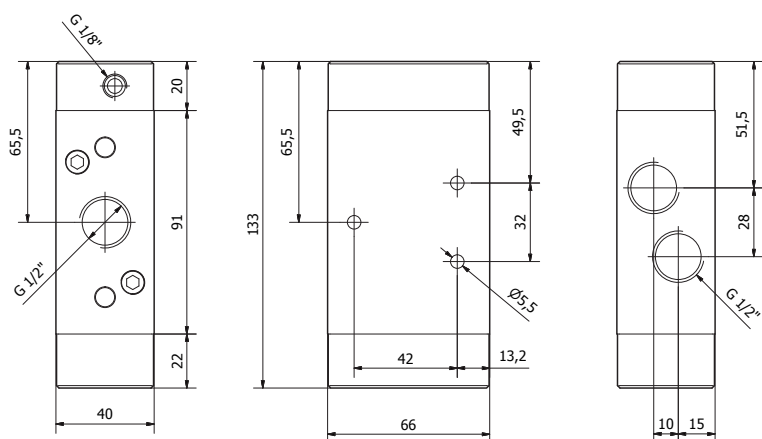
CODE
VK43PNMNC-T



1/4 - 3/2 NO monostable
1/4 - 3/2 NO monostable
 1/4 - 3/2 NA monostabile

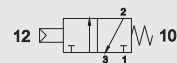
CODE
VK43PNMNA-T





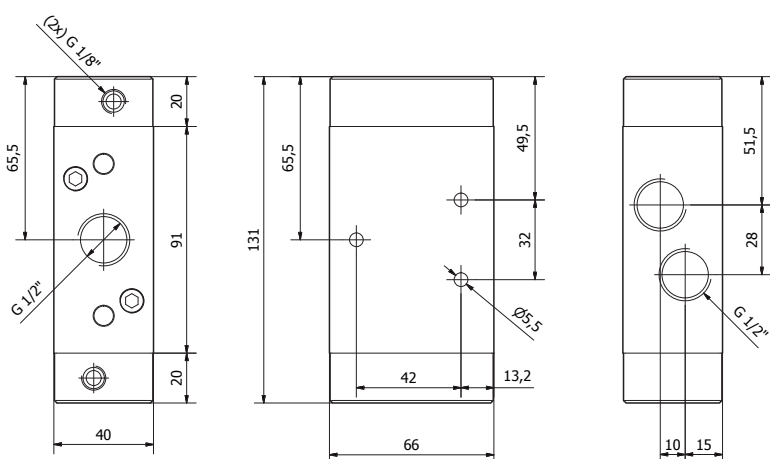
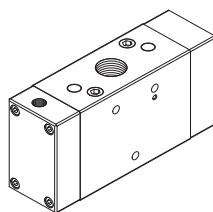
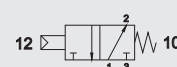
1/2 - 3/2 NC monostable
1/2 - 3/2 NF monostable
1/2 - 3/2 NC monostabile

CODE
VK23PNMNC-T



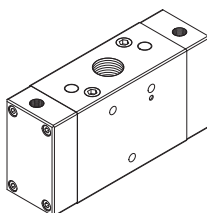
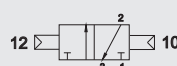
1/2 - 3/2 NO monostable
1/2 - 3/2 NO monostable
1/2 - 3/2 NA monostabile

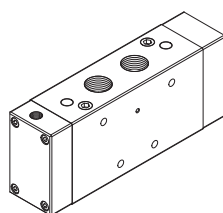
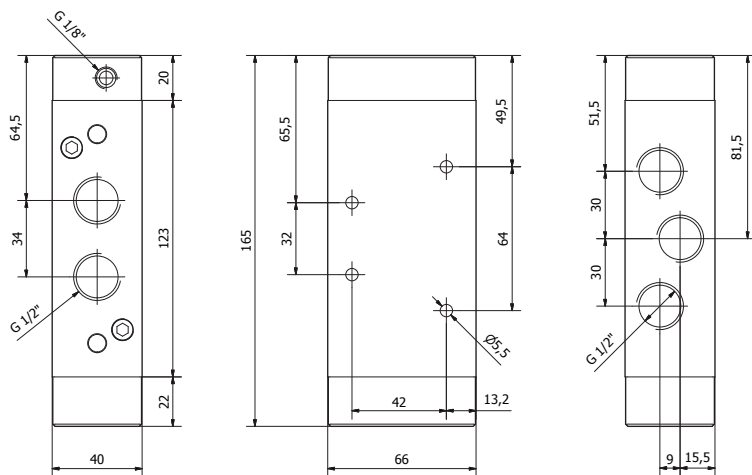
CODE
VK23PNMNA-T



1/2 - 3/2 bistable
1/2 - 3/2 bistable
1/2 - 3/2 bistabile

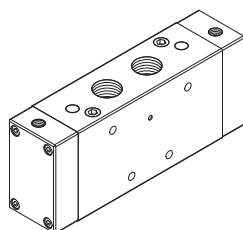
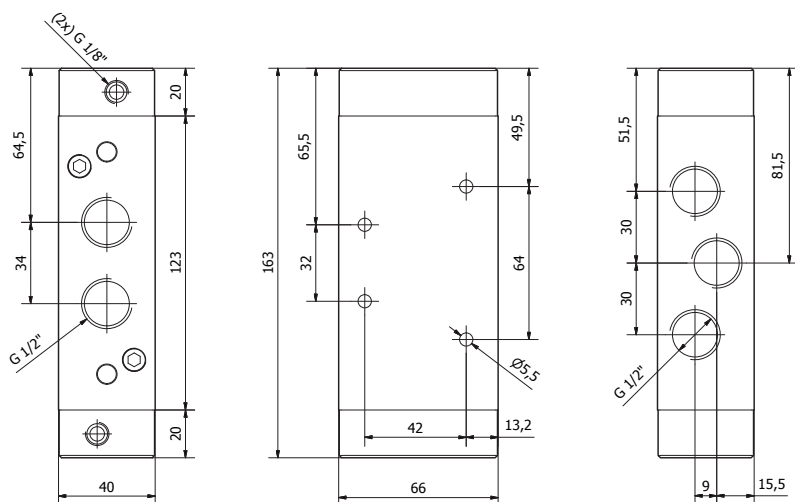
CODE
VK23PNB00-T





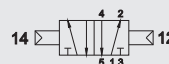
1/2 - 5/2 monostable
1/2 - 5/2 monostable
 1/2 - 5/2 monostabile

CODE
VK25PNM00-T



1/2 - 5/2 bistable
1/2 - 5/2 bistable
 1/2 - 5/2 bistabile

CODE
VK25PNB00-T



1/2 - 5/3 monostable
1/2 - 5/3 monostable
 1/2 - 5/3 monostabile

CODE
VK26PNMCC-T CC / CF / CC

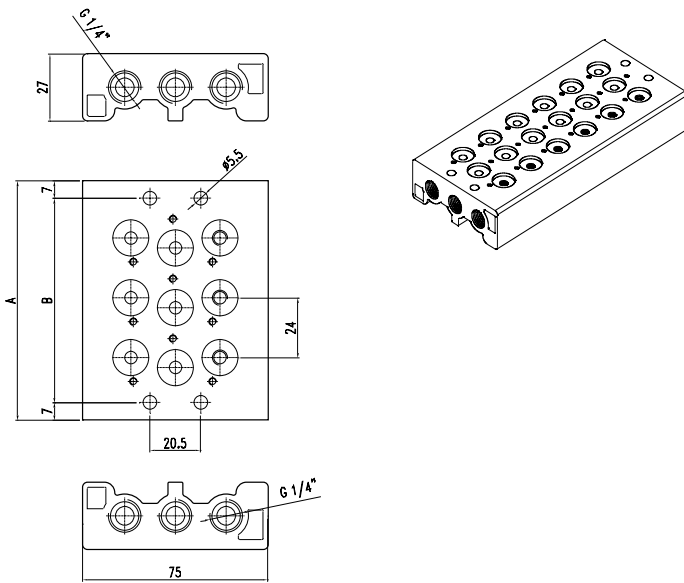


CODE
VK26PNMCA-T CO / CO / CA



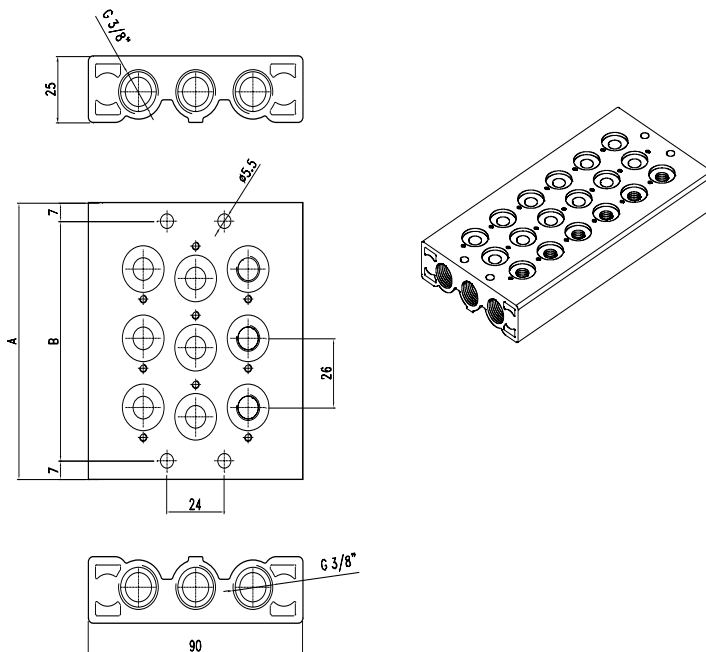
CODE
VK26PNMCP-T CP / CP / CP





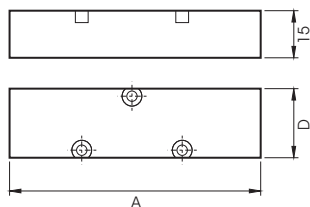
MANIFOLD FOR 1/8 VALVES
EMBASE MULTIPLE POUR VALVE 1/8
 SOTTOBASE PER VALVOLE 1/8

CODE	STATIONS	A	B
SB407202	2	72	58
SB407203	3	96	82
SB407204	4	120	106
SB407205	5	144	130
SB407206	6	168	154
SB407207	7	192	178
SB407208	8	216	202
SB407209	9	240	226
SB407210	10	264	250



MANIFOLD FOR 1/4 VALVES
EMBASE MULTIPLE POUR VALVE EN 1/4
 SOTTOBASE PER VALVOLE 1/4

CODE	STATIONS	A	B
SB407302	2	78	64
SB407303	3	104	90
SB407304	4	130	116
SB407305	5	156	142
SB407306	6	182	168
SB407307	7	208	194
SB407308	8	234	220
SB407309	9	260	246
SB407310	10	286	272



BLANKING PLATE
PLAQUE DE FERMETURE
 PIASTRINA DI CHIUSURA

CODE		A	D
SB40720004	1/8	60	22
SB40730004	1/4	70	25