

# GOYEN

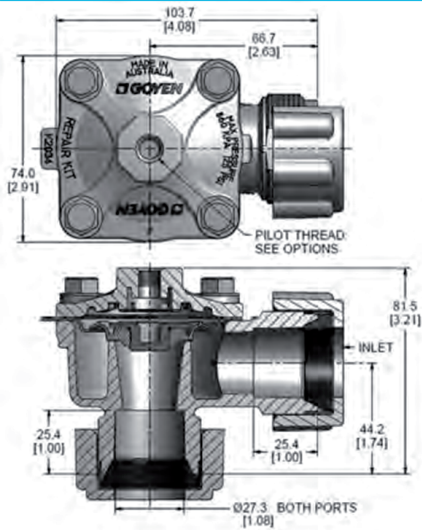
## DRESSER NUT VALVES

PRODUCT LEAFLET

### RCAC20DD4 - REVERSE PULSE JET VALVES



#### DIMENSIONS IN MM (AND INCHES)



#### DESCRIPTION

High-performance diaphragm valve with dresser nut ports. Equipped with 'Shockwave' springless diaphragm. The 4 series valves are available as remote pilot valves and may be converted to an integral pilot using either the RCA3DM or RCA3PV screw-in pilots. Outlet is at 90° to inlet.

#### SUITABLE FOR

Dust collector applications, in particular for reverse pulse jet filter cleaning and its variations, including bag filters, cartridge filters and envelope filters, ceramic filters and sintered metal fibre filters.

#### CONSTRUCTION

**Body and Dresser Nuts:** Aluminium (diecast)

**Screws:** 304 Stainless steel

**Dresser Nut Seals:** Nitrile or Viton

**Diaphragm:** Proprietary highperformance engineering thermoplastic Elastomer or Viton

#### OPERATION

**Recommended on-time range:** 50 to 500 ms  
**Recommended time between pulses:** 1 minute or greater

**Please Note:** We recommend using Schedule 40 pipe. Thickness OD is as shown below.

SIZE	OD MM	OD INCHES
3/4"	26.67	1.05

#### WEIGHTS

VALVE	KG (LB)
RCAC20DD4	0.52 (1.14)

#### MAINTENANCE

Before conducting any maintenance activity on the system ensure that components are fully isolated from pressure and power supplies. Pressure and power should not be reapplied until the valve has been fully assembled.

Diaphragm and pilot inspection should be conducted annually.

#### APPROVALS

The RCAC20DD4 meets the requirements of the European Low Voltage Directive 2006/95/EC, when fitted with the RCA3PV pilot.

#### MAINTENANCE KITS

MODEL	SHOCKWAVE	VITON
<b>DIAPHRAGM KIT</b>		
RCAC20DD4	K2034	K2033
<b>DRESSER SEAL KIT</b>		
RCAC20DD4	K2008	K2009

#### PRODUCT CHARACTERISTICS AND PERFORMANCE

NOMINAL PORT SIZE MM (INCH)	NUMBER OF DIAPHRAGMS	FLOW		PRESSURE RANGE KPA (PSI)	TEMPERATURE RANGE °C °(F)	
		KV	CV		SHOCKWAVE	VITON
20 (3/4)	1	14	17	30(5) to 860(125)	-40(-40) to 82(179.6)	-29(-20.2) to 232(449.6)

#### EXAMPLES

RCAC20DD4012  
 3/4" dresser nut valve with 1/8" RC pilot port thread, Shockwave diaphragm.

**Note:**  
 1/8 Pilot available in NPT, RC and G Thread.  
 1/4 Pilot is only available in G Thread.

#### ORDER CODE

<b>RCAC20DD4</b>	<b>0</b>	<b>1</b>	<b>2</b>
<b>Pilot size</b>	0=1/8"	1=1/4"	
<b>Diaphragm material</b>	1=Viton	2=Shockwave	
<b>Thread type</b>	0=NPT	1=RC	2=G

# GOYEN

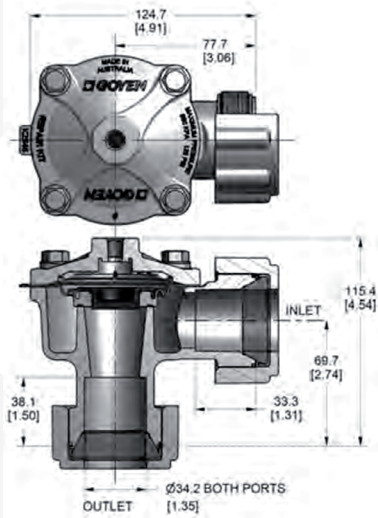
## DRESSER NUT VALVES

PRODUCT LEAFLET

### RCAC25DD4 - REVERSE PULSE JET VALVES



#### DIMENSIONS IN MM (AND INCHES)



#### DESCRIPTION

High-performance diaphragm valve with dresser nut ports. Equipped with 'Shockwave' springless diaphragm. The 4 series valves are available as remote pilot valves and may be converted to integral pilot using either the RCA3DM or RCA3PV screw-in pilots. Outlet is at 90° to inlet.

#### SUITABLE FOR

Dust collector applications, in particular for reverse pulse jet filter cleaning and its variations, including bag filters, cartridge filters and envelope filters, ceramic filters and sintered metal fibre filters.

#### CONSTRUCTION

**Body and Dresser Nuts:** Aluminium (diecast)

**Screws:** 304 Stainless steel

**Dresser Nut Seals:** Nitrile or Viton

**Diaphragm:** High-performance engineering thermoplastic Elastomer or Viton

#### OPERATION

**Recommended on-time range:** 50 to 500 ms  
**Recommended time between pulses:** 1 minute or greater

**Please Note:** We recommend using Schedule 40 pipe. Thickness OD is as shown below.

SIZE	OD MM	OD INCHES
1	33.4	1.315

#### WEIGHTS

VALVE	KG (LB)
RCAC25DD4	0.96 (2.12)

#### MAINTENANCE

Before conducting any maintenance activity on the system ensure that components are fully isolated from pressure and power supplies. Pressure and power should not be reapplied until the valve has been fully assembled.

Diaphragm and pilot inspection should be conducted annually.

#### APPROVALS

The RCAC25DD4 meets the requirements of the European Low Voltage Directive 2006/95/EC, when fitted with the RCA3PV pilot.

#### MAINTENANCE KITS

MODEL	SHOCKWAVE	VITON
<b>DIAPHRAGM KIT</b>		
RCAC25DD4	K2546	K2551
<b>DRESSER SEAL KIT</b>		
RCA25DD	K2508	K2507

#### PRODUCT CHARACTERISTICS AND PERFORMANCE

NOMINAL PORT SIZE MM (INCH)	NUMBER OF DIAPHRAGMS	FLOW		PRESSURE RANGE KPA (PSI)	TEMPERATURE RANGE °C °(F)	
		KV	CV		SHOCKWAVE	VITON
25 (1)	1	22.5	26.0	30(5) to 860(125)	-40(-40) to 82(179.6)	-29(-20.2) to 232(449.6)

#### EXAMPLES

RCAC25DD4012  
 1" dresser nut valve with 1/8" RC pilot port thread, Shockwave diaphragm.

**Note:**  
 1/8 Pilot available in NPT, RC and G Thread.  
 1/4 Pilot is only available in G Thread.

#### ORDER CODE

<b>RCAC25DD4</b>	<b>0</b>	<b>1</b>	<b>2</b>
<b>Pilot size</b>	0=1/8"	1=1/4"	
<b>Diaphragm material</b>	1=Viton	2=Shockwave	
<b>Thread type</b>	0=NPT	1=RC	2=G

# GOYEN

## DRESSER NUT VALVES

PRODUCT LEAFLET

---

### DIAPHRAGM SERVICE KITS FOR DELETED VALVES

---

#### Maintenance kits

MODEL	NITRILE	VITON	LOW TEMPERATURE -60°C (-76°F) MIN.	INCLUDES
CA/RCA20DD	K2000	K2007	NA	Diaphragm kits include main and secondary diaphragms (where required) and all springs.
CA/RCA25DD	K2501	K2503	K2504	



**GOYEN CONTROLS PTY LIMITED**

268 MILPERRA ROAD, MILPERRA NSW 2214, AUSTRALIA [WWW.GOYENMECAIR.PENTAIR.COM](http://WWW.GOYENMECAIR.PENTAIR.COM)

Note: The information and data contained in this document are based on our general experience and are believed to be correct. They are given in good faith and are intended to provide a guideline for the selection and use of our products. Since the conditions under which our products may be used are beyond our control, this information does not imply any guarantee of final product performance and we cannot accept any liability with respect to the use of our products. The quality of our products is guaranteed under our conditions of sale. Existing industrial property rights must be observed.  
PL PENTAIR GOYEN DRESSER NUT VALVES 3517 © 2017 Pentair. All Rights Reserved.