



TECHNICAL DATA / DONNÉES TECHNIQUES / DATI TECNICI

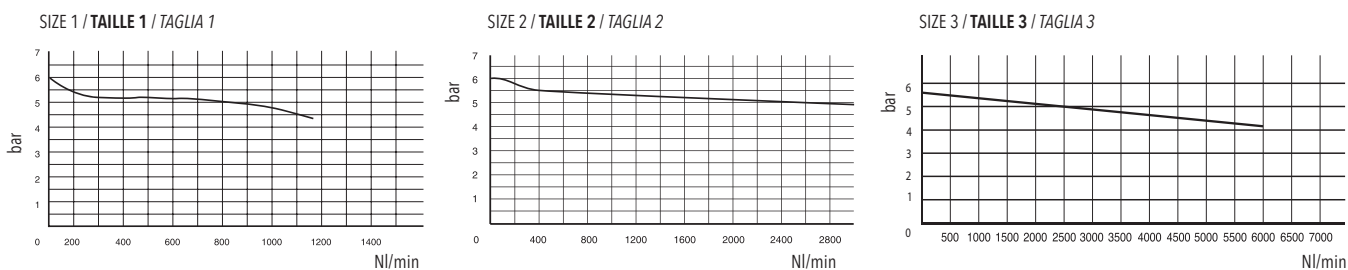
Fluid / Fluide / <i>Fluido</i>	Air / Air / <i>Aria</i>		
Maximum pressure / Pression Max / <i>Pressione Max</i>	18 bar		
Temperature / Température / <i>Temperatura</i>	-20° C / +50°C		
Filtration grade / Grade de filtration / <i>Grado di filtrazione</i>	4 - 20 - 50 µm		
Bowl capacity / Volume / <i>Capacità tazza</i>	1/8 - 1/4 = 20 cm ³	3/8 - 1/2 = 60 cm ³	3/4 - 1" = 100 cm ³
Pressure gauge thread / Raccord manomètre / <i>Attacco manometro</i>	1/8 - 1/4 = 1/8	3/8 - 1/2 = 1/8	3/4 - 1" = 1/4
Wall clamping screws / Vis pour fixation / <i>Viti per fissaggio</i>	1/8 - 1/4 = M4x40	3/8 - 1/2 = M4x50	3/4 - 1" = M6x75
Weight / Poids / <i>Peso</i>	1/8 - 1/4 = 0,35 Kg	3/8 - 1/2 = 0,9 Kg	3/4 - 1" = 2,5 Kg

STANDARD PRODUCTS / PRODUIT STANDARD / PRODOTTI STANDARD

Code Code <i>Codice</i>	Size Taille <i>Taglia</i>	Thread Filitage <i>Filetto</i>	Filtration Filtration <i>Filtrazione</i>	Flow rate Débit <i>Portata</i>	Regulation Régulation <i>Regolazione</i>	Exhaust Purge <i>Scarico</i>
YP11241	1	1/8	20µm	850 NI/min	0 - 12 bar	S/M
YP12241	1	1/4	20µm	850 NI/min	0 - 12 bar	S/M
YP23241	2	3/8	20µm	2600 NI/min	0 - 12 bar	S/M
YP24241	2	1/2	20µm	2600 NI/min	0 - 12 bar	S/M
YP35241	3	3/4	20µm	4600 NI/min	0 - 12 bar	S/M
YP36241	3	1"	20µm	4600 NI/min	0 - 12 bar	S/M

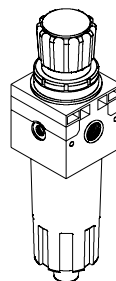
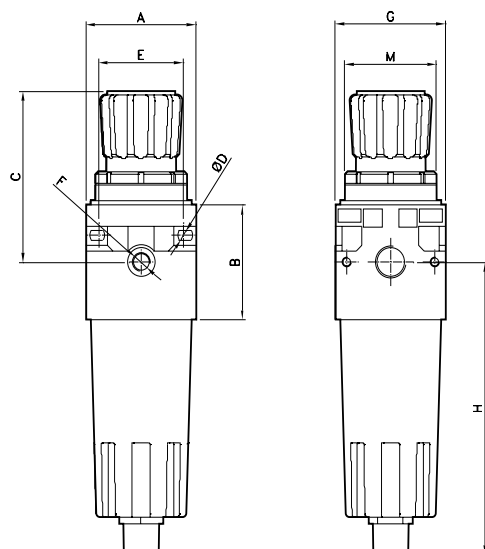
S/M: Semi-automatic / Manual / **Semi-automatique** / **Manuel** / *Semiautomatico* / *Manuale*
A: Automatic / **Automatique** / *Automatico*

FLOW CHARACTERISTICS / COURBES DE DEBIT / CARATTERISTICHE DI FLUSSO



Flow rate at 6 bar Δp 1 / **Pression à 6 bar Δp 1** / *Portata a 6 bar Δp 1*

DIMENSIONS / DIMENSIONS / DIMENSIONI



Size	A	B	C	D	E	F	G	H	M
1/8 - 1/4	42	42	64	5	32	1/8	42	120	30x1.5
3/8 - 1/2	60	60	90	5	46	1/8	60	155	38x2
3/4 - 1"	80	80	124	7	66	1/4	80	195	55x2