



# Solenoid valve 2/2 way N.C. Direct acting equipped with kit and coil Ex mb

21A3QDV15  
÷  
21A2QDV55

## PRESENTATION:

Direct acting S.V. for interception of fluids compatible with the construction materials.

Minimum operational pressure is not required.

The materials used and the tests carried out ensure maximum reliability and duration.

**USE:** Potentially explosive atmospheres  
Zone 1, 2, 21, 22

**PIPE:** G 1/8 - G 1/4

**COILS:** Series TNA - Ø 14,5  
(For characteristic see catalogue page)

Max. allowable pressure (PS) 40 bar

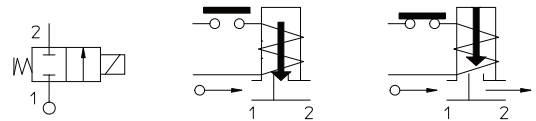
Ambient temperature:

See coils catalogue page for its compatibility.



Gaskets	Temperature		Medium
V=FKM (fluoroelastomer)	- 10°C	+ 80°C	Mineral oils (2°E), gasoline gas oil, fuel oils (7°E)
F=H-NBR (hydrogenated nitrile)	- 20°C	+ 80°C	Air, inert gas, water R 134a, R 404a

For seals other than FKM replace the letter "V" with the ones corresponding to the other seals. E.I. 21A2QDF15.



Pipe ISO 228/1	Code	Max viscosity		Ø mm	Kv l/mn	Power watt	Pressure		
		cSt	°E				min bar	M.O.P.D. AC bar DC bar	
G 1/8	21A3QDV15	12	~ 2	1,5	1,4	(See TNA coils catalogue page)	0	16	16
	21A3QDV20	37	~ 5	2	2			16	16
	21A3QDV25	53	~ 7	2,5	3,2			14	9
	21A3QDV30			3	4			10	6
	21A3QDV45			4,5	6,5			5	2
G 1/4	21A2QDV15	12	~ 2	1,5	1,4			16	16
	21A2QDV20	37	~ 5	2	2			16	16
	21A2QDV25	53	~ 7	2,5	3,2			14	9
	21A2QDV30			3	4			10	6
	21A2QDV45			4,5	6,5			5	2
	21A2QDV55			5,5	9	3	1		

The product is assembled, with coil separate certification and characterized by the following marking.

**Compliant with ATEX Directive 2014/34/EU**



II 2G Ex mb IIC T4 Gb  
II 2D Ex mb tb IIIC T130°C Db

The "ODE" reserves the right to carry out technical and aesthetic modifications without prior notice.

### MATERIALS:

<b>Body</b>	Brass - UNI EN 12165 CW617N
<b>Armature tube</b>	Stainless steel AISI series 300
<b>Fixed core</b>	Stainless steel AISI series 400
<b>Plunger</b>	Stainless steel AISI series 400
<b>Phase displacement ring</b>	Copper - Cu 99,9%
<b>Spring</b>	Stainless steel AISI series 300
<b>Seal</b>	Standard: V=FKM On request: F=H-NBR

### Orifice:

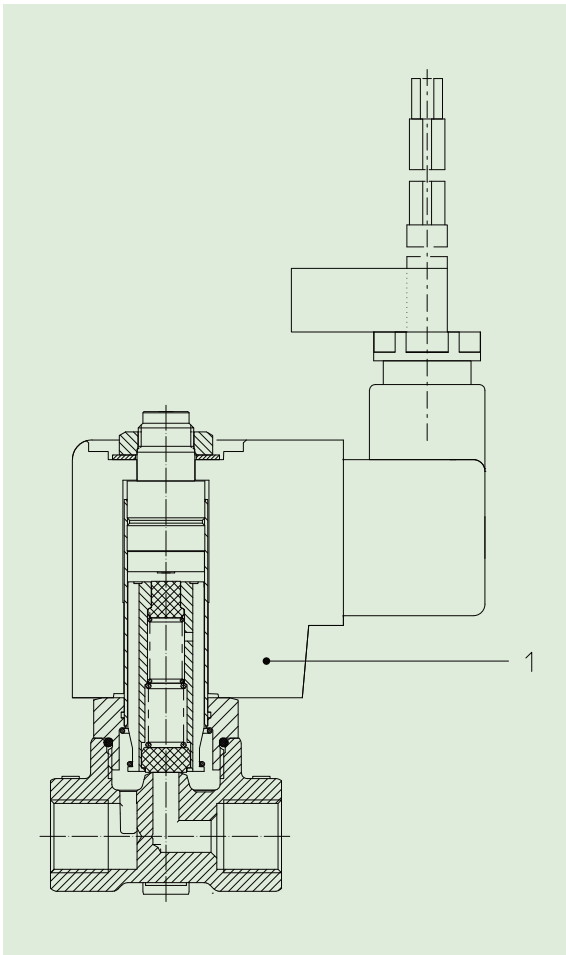
≤ 3 mm	<b>Insert slot</b>	Stainless steel AISI series 300
> 3 mm		Brass - UNI EN 12165 CW617N

### FEATURES:

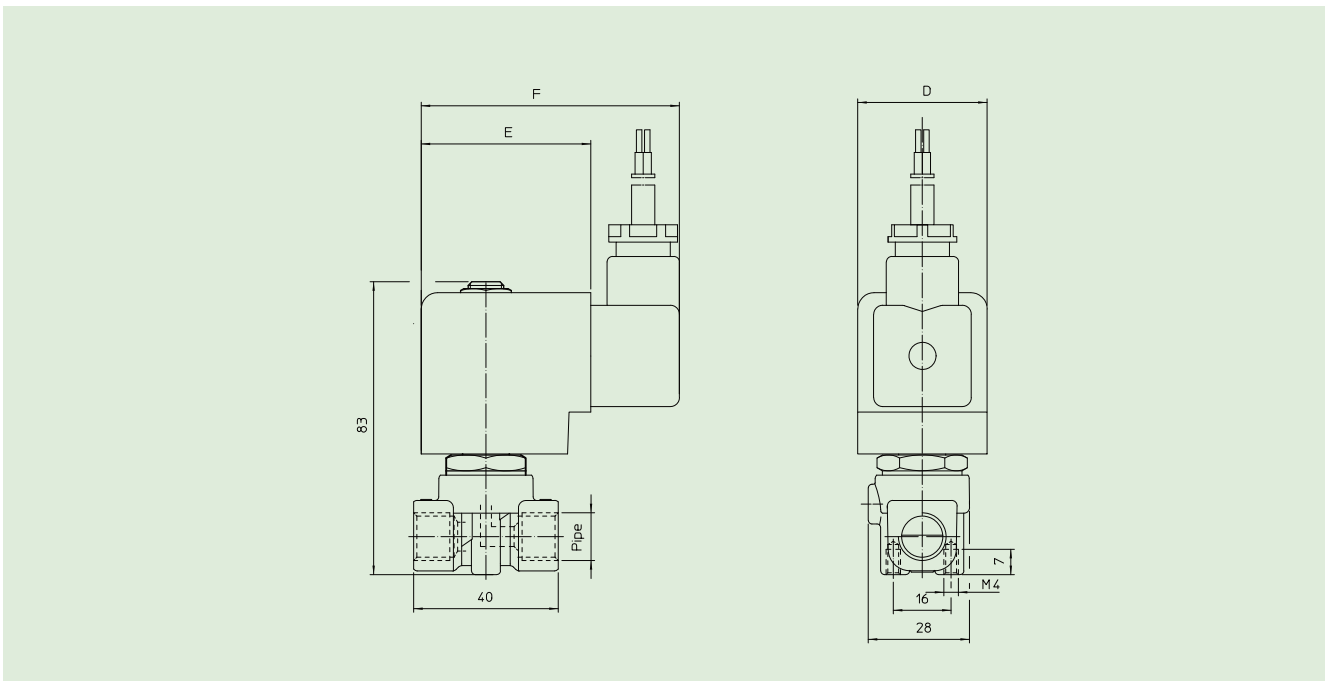
<b>Protection degree</b>	IP 65 EN 60529 (DIN 40050)
--------------------------	----------------------------

### SPARE PARTS:

- Coil:**  
See TNA coils list



### DIMENSIONS:



Type	Pipe ISO 228/1
21A3QDV	G 1/8
21A2QDV	G 1/4

COIL TYPE	DIMENSIONS		
	D mm	E mm	F mm
T	36	47	76