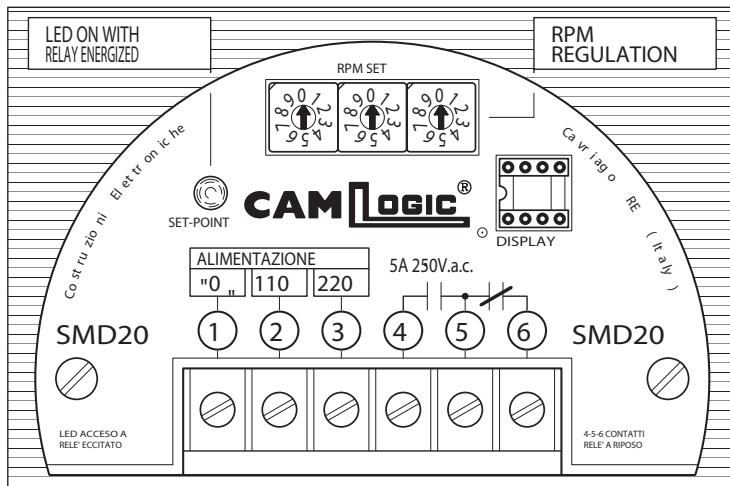


The CAMLOGIC SMD20 Digital Rev Monitor guarantees on-going supervision of the functional parameters of any rotating part of a machine. The special version can control continuous straight-line movement. If there is a mechanical breakdown, shutdown or a decrease in the machine's Rpm, the Rev Monitor can shutdown the entire system or generate an emergency signal by means of an output switch-over contact.

### HOW DOES IT WORK ?

Once the operating revs have been set for the machine to be controlled, whenever the revs detected are equal to or higher than these settings, the switch-over contacts change and the LED is lit. If the revs are lower than the setting, the switching-contact break relay trips and the LED goes out. The rev monitor starts up with the relay energized for 10

seconds with the contacts in make and the LED lit.



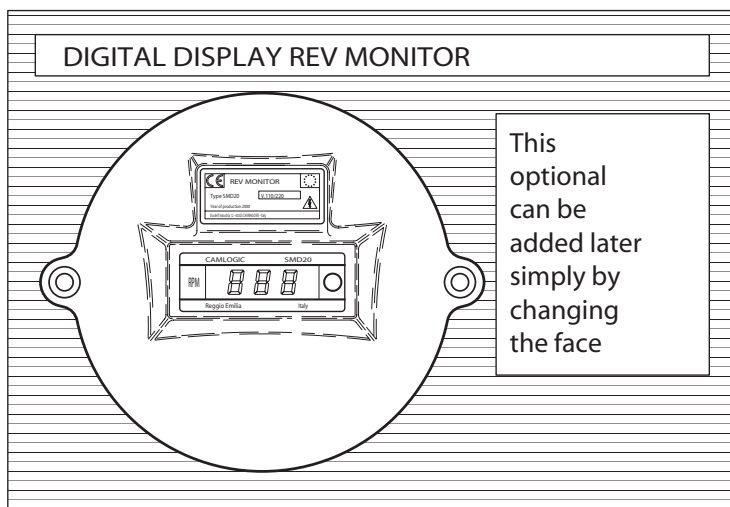
### WIRING

- |       |   |                     |   |       |
|-------|---|---------------------|---|-------|
| 1-2-3 | = | Power supply        | : | 24-48 |
|       |   | 110-220 V. 50/60Hz. |   |       |
|       |   | 24 V.d.c            |   |       |
| 4-5   | = | N.O. contact        |   |       |
|       |   | 5A-220Va.c.         |   |       |
| 5-6   | = | N.C. contact        |   |       |
|       |   | 5A-220Va.c.         |   |       |

Electric max. draw 4 W to 220Va.c.

### SPECIAL FEATURES

- Aluminium casting enclosure.
- Weight with bracket 1,7 Kg.
- Operating field 1-5000 Rpm.
- Temperature from -10 +80°C.
- Speed detection by a mechanically coupled impulse generator.
- Stainless steel shaft mounted on ball bearings.
- IP65 protection.
- Versions for various installation needs.
- Available with coupling fitting
- On request power supply at 24 V.d.c.

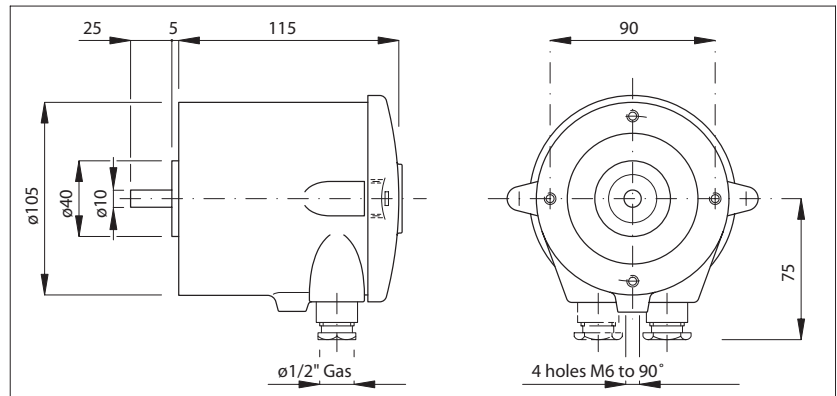


Because of its proven safety and reliability the SMD20 Digital Rev Monitor is the ideal solution for every industrial needs.

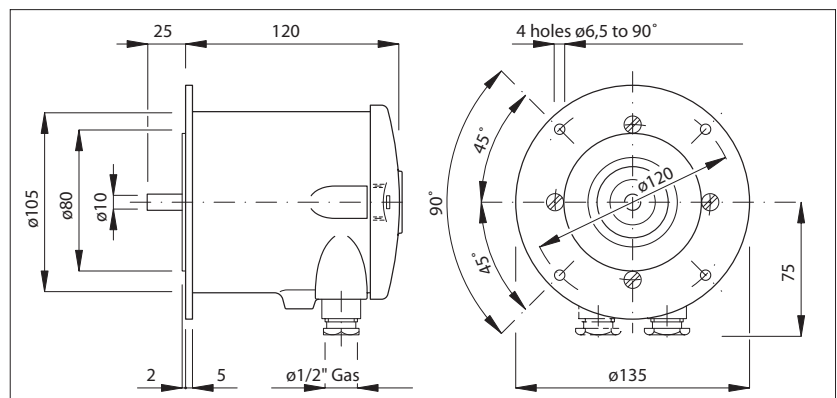
## TYPES OF INSTALLATION

CAMLOGIC Digital Rev Monitor can be installed in any position. Once connected to the power supply terminal block, the units are completely maintenance free.

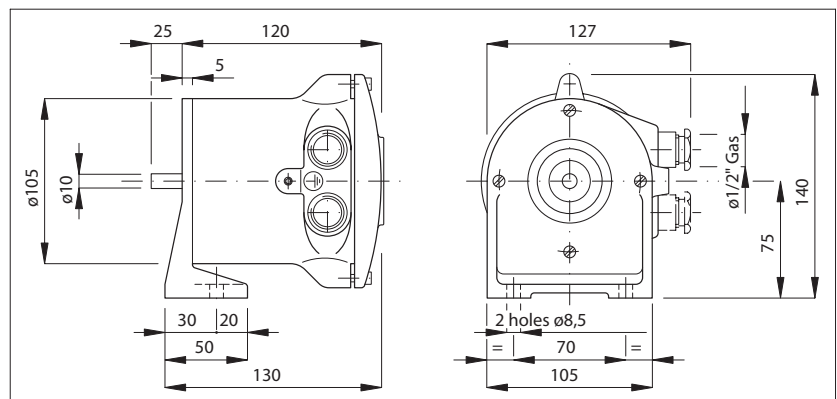
### DIRECT INSTALLATION VERSION



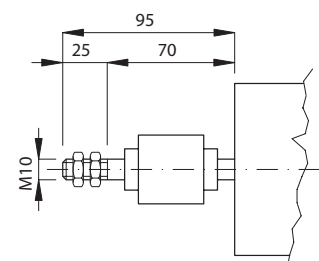
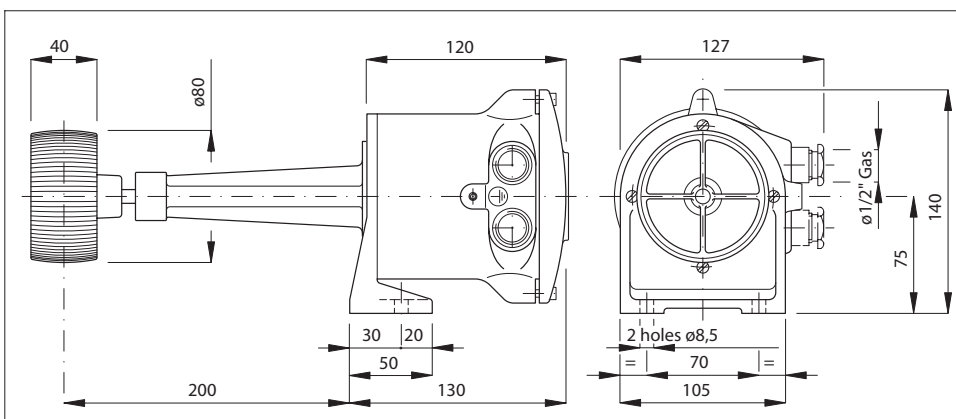
### FLANGED INSTALLATION



### INSTALLATION WITH SUPPORT BRACKET



### CONVEYOR BELT VERSION



### COUPLING

Movement signal can be assembled with cable input turned at 90° intervals