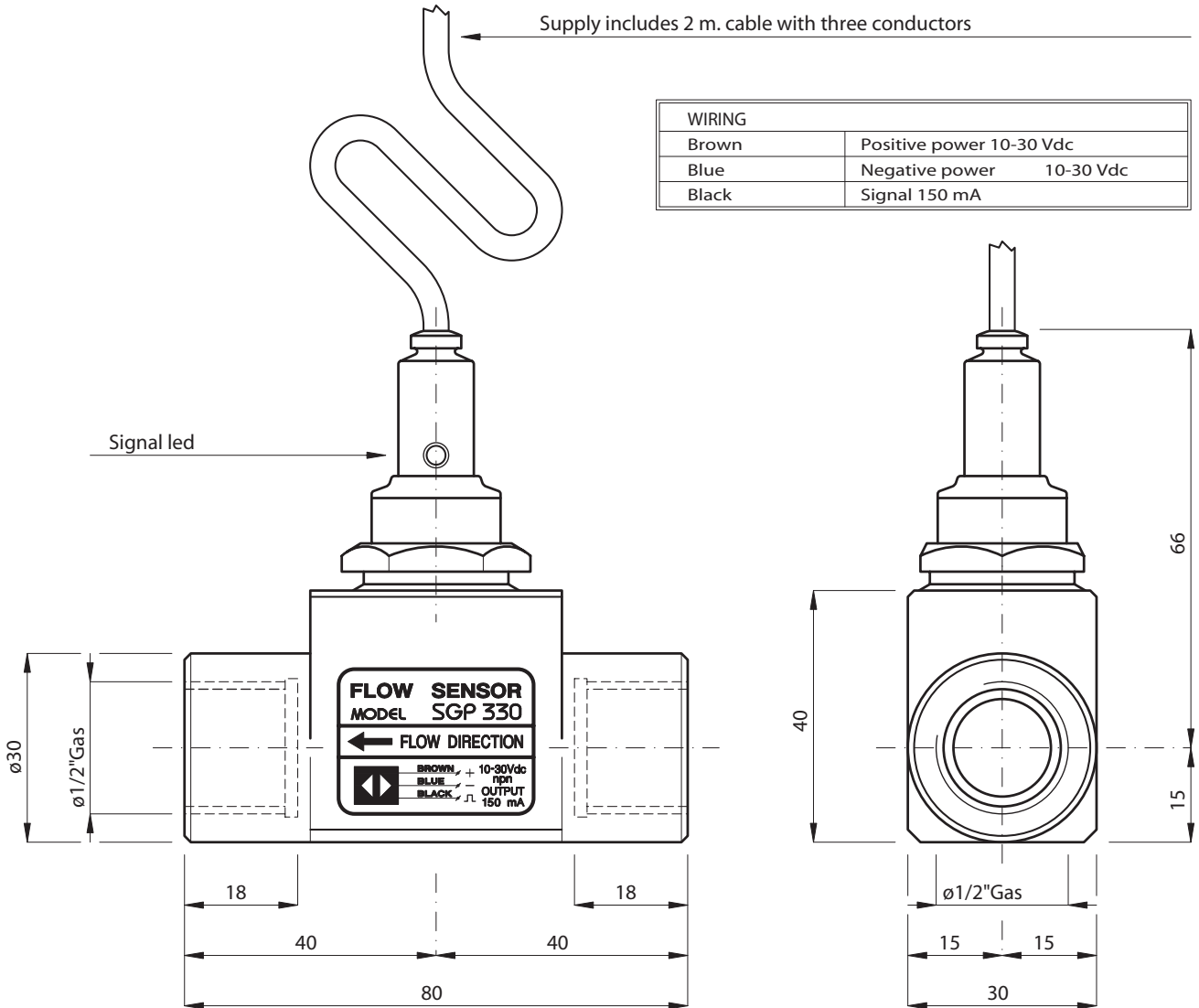


FLOW SENSORS vast range, long-lasting

Supply includes 2 m. cable with three conductors

WIRING	
Brown	Positive power 10-30 Vdc
Blue	Negative power 10-30 Vdc
Black	Signal 150 mA



SPECIFICATIONS	
Housing	Brass with chromium plating
Turbine system	Polyetherimide
Sensor head	Polyetherimide
Connection thread	1/2"Gas female thread - double
Nominal pressure	16 bar
Continuous operating temperature	90°C
Permissible peak temperature	120°C

FLOW MEASUREMENT	SGP330	SGP331
Measurement range	0,5..... 30 l/min.	
Measuring accuracy	0,5% of max. value in range 3.... 30 l/min.	
Pulse rate	1000 pulses/l	
Signal form	NPN 10..... 30 Vdc	PNP 10..... 30 Vdc

