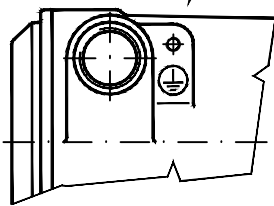


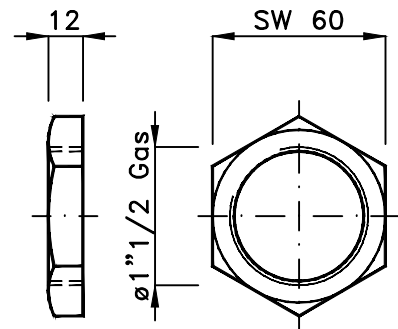
1/2" Gas Outside casing ground



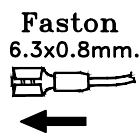
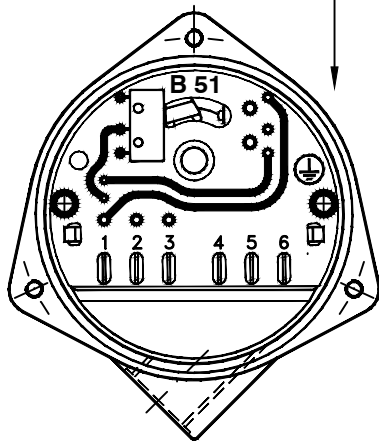
Die-cast aluminium casing UNI5076

Standard AC1 1 vane NYLON screw.

Wiring with antivibrations cable terminals (Faston).



Inside casing ground



WIRING

- | | |
|---|---------------------------------|
| 1 | Common power supply |
| 2 | Power supply 110 Va.c. 50/60 Hz |
| 3 | Power supply 220 Va.c. 50/60 Hz |
| 4 | NC contact 5A/250 Va.c. |
| 5 | Common contacts |
| 6 | NO contact 5A/250 Va.c. |

Electric motor draw 4 W

Ambient temperature range -20 to +70 °C

Weight : 1.200 Kg

On request power supply at 24/48 Va.c. 50/60Hz - And also at 24 Vd.c.

IP65 Protection

Maximum operational pressure 1.1 bar

SMALL-SIZED BLADED LEVEL GAUGE PARTICULARLY SUITABLE FOR USE ON SMALL TANKS OR BATCHING CELLS.

STANDARD ASSEMBLY WITH 1 1/2 GAS THREADED NUT

Certificate number TÜV IT 13 ATEX 070
Marking: Ex II 1/2 D Ex ta/ib IIC T85°C IP65 Da/Db

