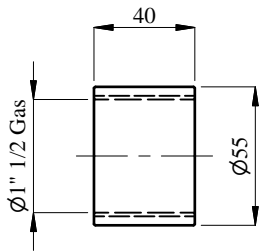
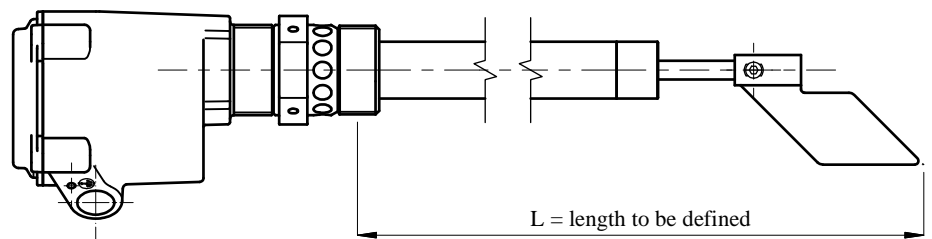


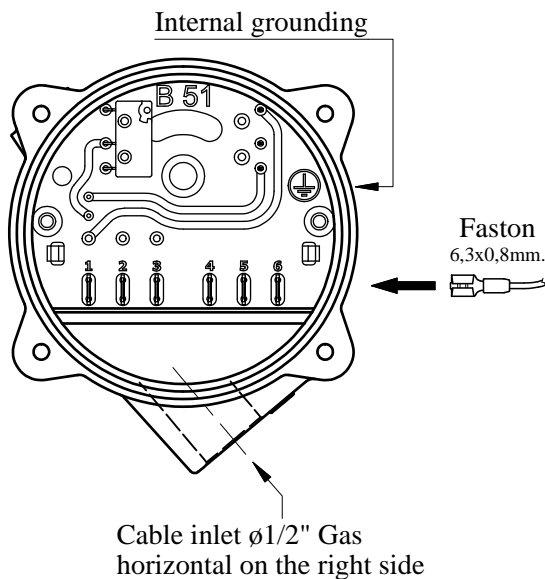
SLEEVE



VERSION WITH STAINLESS STEEL EXTENSION



IP65 Protection



WIRING

- 1 - Common power supply
- 2 - Power supply 110 VAC 50/60 Hz
- 3 - Power supply 220 VAC 50/60 Hz
- 4 - NC contact 5A/250 VAC
- 5 - Common contacts
- 6 - NO contact 5A/250 VAC

Electric motor draw 4 W

Ambient temperature range -20 to +70 °C

Weight: 1,700 Kg

On request power supply at 24/48 VAC 50/60 Hz and also 24 VDC

Maximum operational pressure: 1,1 bar

Declaration of Conformity: TÜV IT 13 ATEX 072  
 Marking: II 1/2 D Ex ta/tb IIIC T85°C IP65 Da/Db  
 II 1/2 G Ex d IIB T6 Ga/Gb

