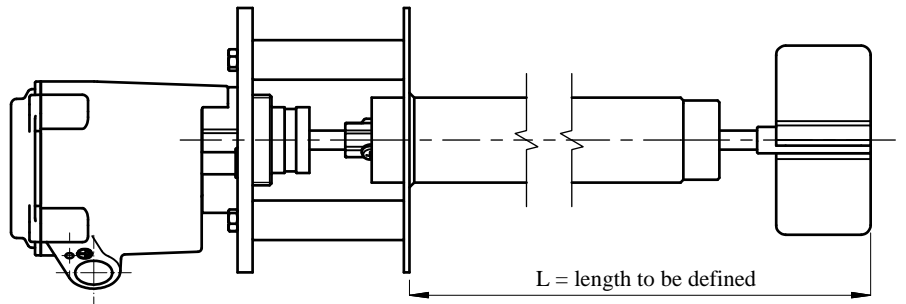
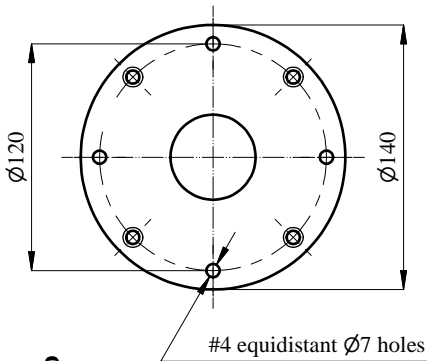


FLANGE

VERSION WITH EXTENSION



WIRING

- 1 - Common power supply
- 2 - Power supply 110 VAC 50/60 Hz
- 3 - Power supply 220 VAC 50/60 Hz
- 4 - NC contact 5A/250 VAC
- 5 - Common contacts
- 6 - NO contact 5A/250 VAC

Electric motor draw 4 W

Ambient temperature range -20 to +70 °C

Max. temperature inside silo +200 °C

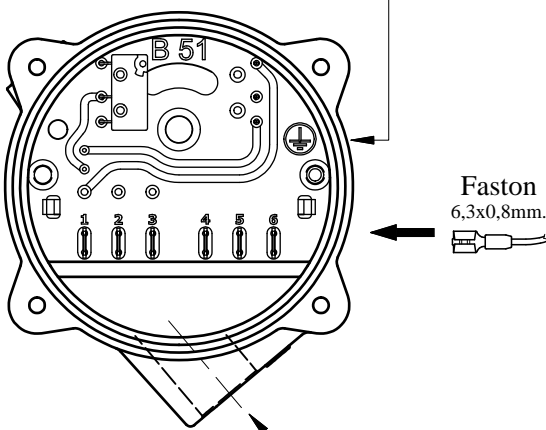
Weight: 2,400 Kg

On request power supply at
24/48 VAC 50/60 Hz and also 24VDC

Maximum operational pressure: 1,1 bar

IP65 Protection

Internal grounding



Cable inlet $\phi 1/2"$ Gas
horizontal on the right side

Declaration of Conformity: TÜV IT 13 ATEX 072
Marking: II 1/2 D Ex ta/tb IIC T85°C IP65 Da/Db
II 1/2 G Ex d IIB T6 Ga/Gb

