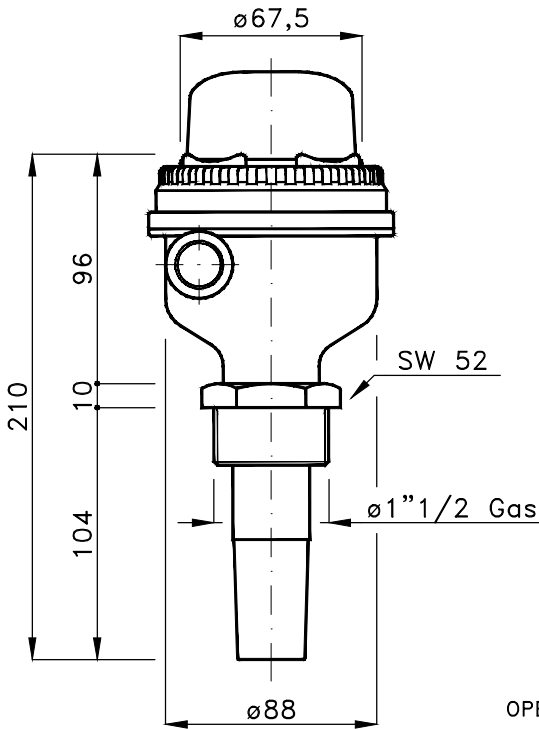
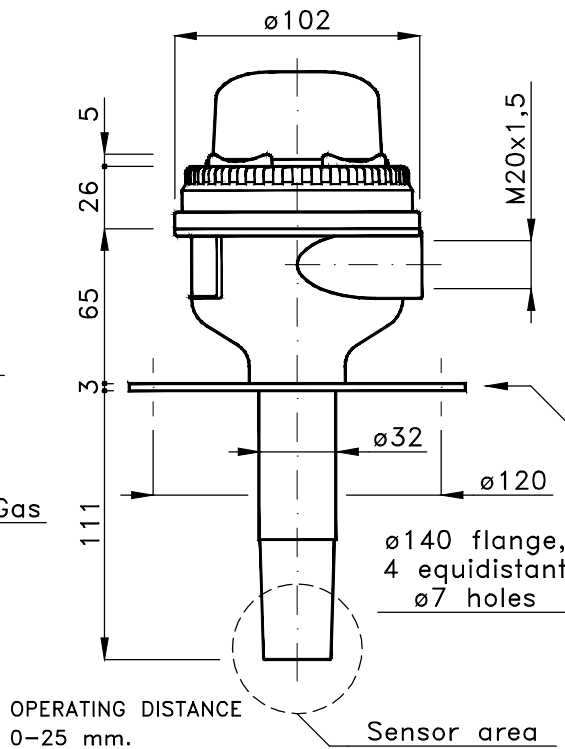


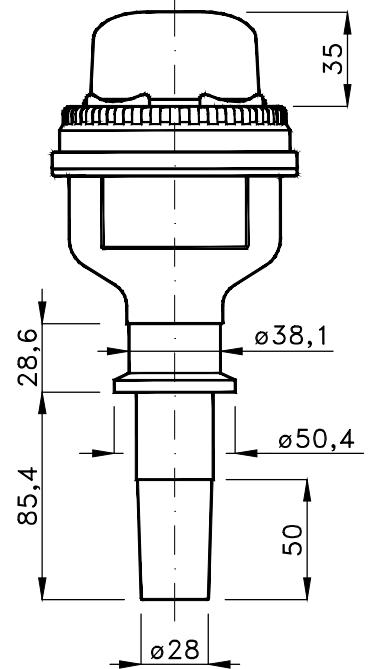
Threaded conn.



Flange conn.



Tri-Clamp connection



WIRING

- 1 - Common power supply
- 2 - Power supply 110 Va.c. 50/60Hz
- 3 - Power supply 220 Va.c. 50/60Hz
- 4 - 1st NO contact 8A/250 Va.c.
- 5 - 1st Common contact
- 6 - 1st NC contact 8A/250 Va.c.
- 7 - 2nd NO contact 8A/250 Va.c.
- 8 - 2nd Common contact
- 9 - 2nd NC contact 8A/250 Va.c.

Power consumption: 1 W to 220 Va.c.

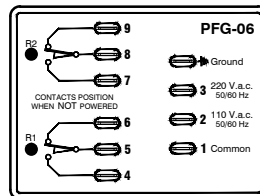
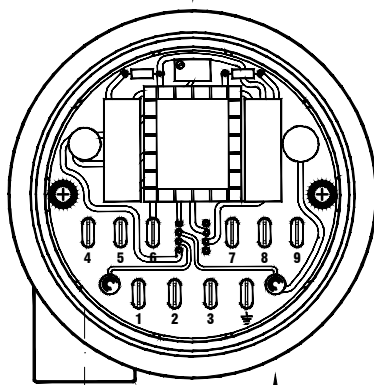
Ambient temperature range: -20 to +70 °C

Weight: 0,800 Kg

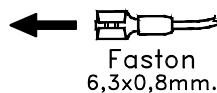
On request power supply at 24/48 V.

Maximum operational pressure: 1,1 bar

Sensitivity regulation trim



WIRING DIAGRAM
(inside the lid)



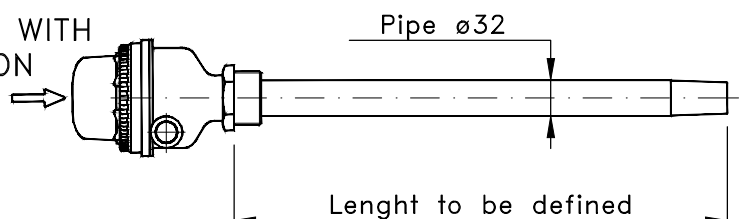
Product presence signal

IP65 Protection

Custodia in LATIOMH 62-03 PD01 G/20 - Sonda in LATISHIELD 66-13A G/30 - Attacco in acc. INOX EN1.4307

The trim stop clockwise position enables the static test on the equipment by exciting the relay (maximum sensitivity)

VERSION WITH EXTENSION



Certificate number TÜV IT 13 ATEX 071
Marking: Ex II 1/2D Ex ta/tb IIC T90°C IP65 Da/Db

