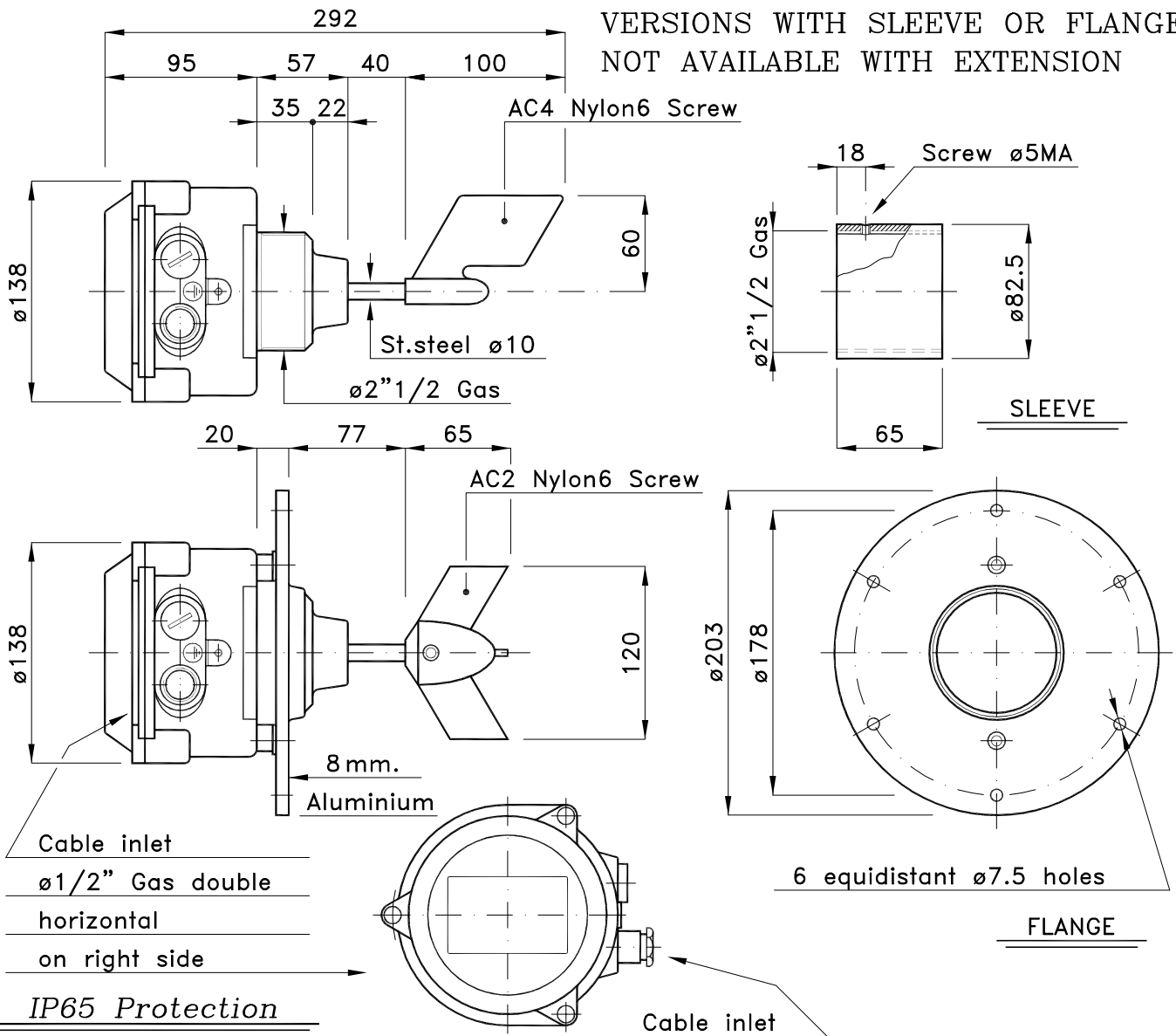


VERSIONS WITH SLEEVE OR FLANGE  
NOT AVAILABLE WITH EXTENSION



### WIRING

- 1 - Common power supply
- 2 - Power supply 110 Va.c. 50/60 Hz
- 3 - Power supply 220 Va.c. 50/60 Hz
- 6 - NC contact 10A/250 Va.c.
- 7 - Common contacts
- 8 - NO contact 10A/250 Va.c.

Ambient temperature range  $-20$  to  $+70$  °C

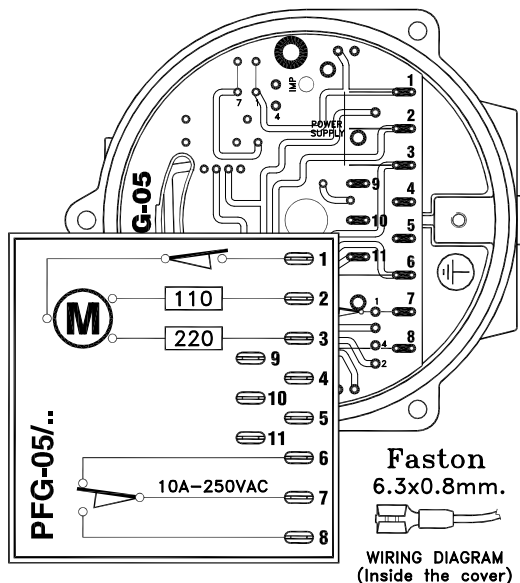
Weight : PFG-05/C 1.500 Kg - PFG-05/C/F 2.000 Kg

On request power supply at 24/48 Va.c. 50/60 Hz or power supply at 24 Vd.c.

Electric motor draw 4 W

Maximum operational pressure 1.1 bar

Certificate number TÜV 03 ATEX 2374 X  
Marking: II 1/2D T85°C IP65



PFG-05/C = with  $2\frac{1}{2}$ " Gas thread - PFG-05/C/F = with flange

