

### WIRING

- 1 - Common power supply
- 2 - Power supply 110 Va.c. 50/60 Hz
- 3 - Power supply 220 Va.c. 50/60 Hz
- 6 - NC contact 10A/250 Va.c.
- 7 - Common contacts
- 8 - NO contact 10A/250 Va.c.

Ambient temperature range -20 to +80 °C  
 Weight : AT/F 2.800 Kg - AT 3.000 Kg

On request power supply at 24/48 Va.c. 50/60 Hz or power supply at 24 Vd.c.

Electric motor draw 4 W

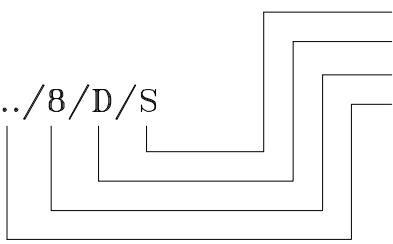
Maximum operational pressure 1.1 bar

Heat resistant up to 200 °C

IP65 Protection



PFG-05/././8/D/S



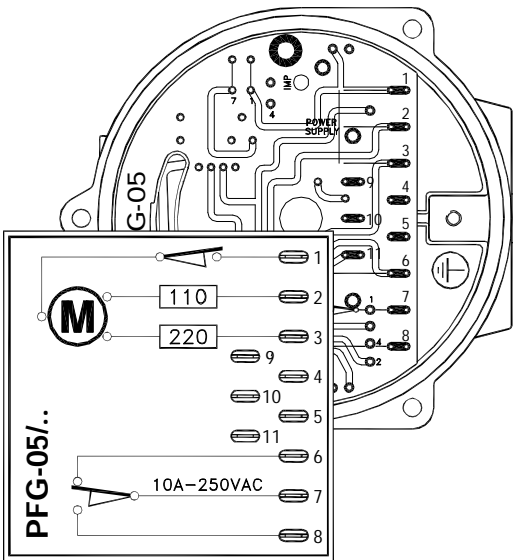
With relay voltage control  
 With double NO/NC contact  
 With control rotating shaft – output 8 pulses/minute  
 Typology level gauge and power supply

- no reference
- With  $\varnothing 2\frac{1}{2}$  Gas threaded connection
  - M - With  $\varnothing 2\frac{1}{2}$  Gas threaded sleeve connection
  - F - With flange connection
  - C - Short
  - X - Parts in contact with the products in Stainless steel
  - AT - For high temperature ( $\leq 200^{\circ}\text{C}$ )
  - V - With double flange connection

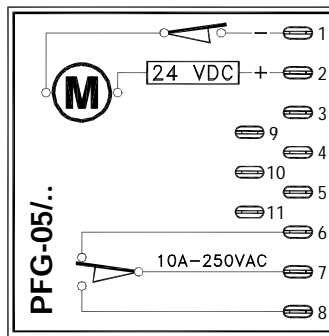
Power supply: 110/220 – 24/48 Va.c. 50/60Hz – 24Vd.c.

The voltage control acts on one power supply on request

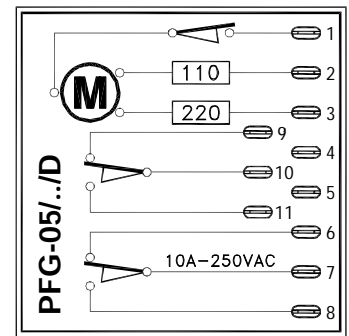
The level gauge can be assembled with different typologies of wiring as follows:



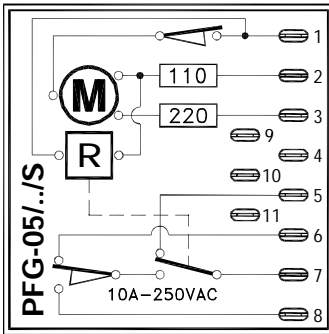
AC Power supply  
NO/NC contact



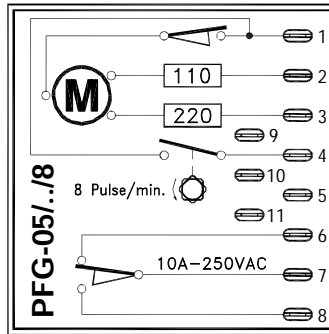
DC Power supply  
NO/NC contact



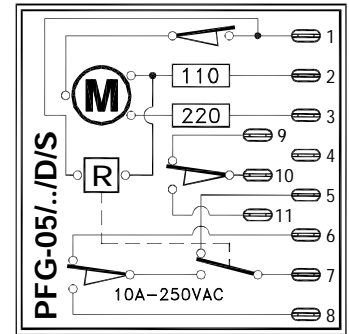
AC or DC Power supply  
Double NO/NC contact



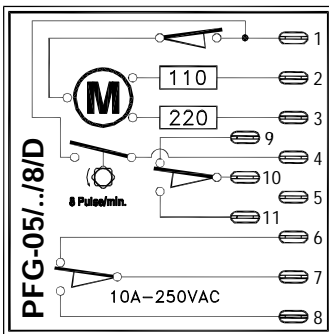
AC or DC Power supply  
NO/NC contact  
Voltage control on one power supply



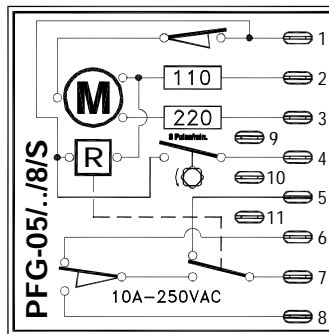
AC or DC Power supply  
NO/NC contact  
Control rotating shaft with  
output 8 pulses/minute



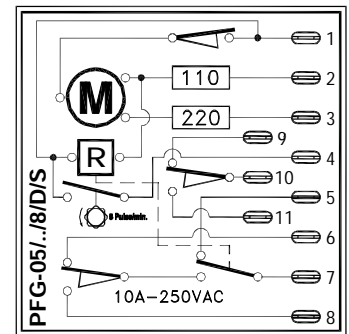
AC or DC Power supply  
Double NO/NC contact  
Voltage control on one power supply



AC or DC Power supply  
Double NO/NC contact  
Control rotating shaft with  
output 8 pulses/minute



AC or DC Power supply  
NO/NC contact  
Control rotating shaft with  
output 8 pulses/minute  
Voltage control on one power supply



AC or DC Power supply  
Double NO/NC contact  
Control rotating shaft with  
output 8 pulses/minute  
Voltage control on one power supply