

**DESCRIPTION**

**MPS**

The Model “**MPS**” has been designed to guarantee the control of diaphragm valves mounted on pulse jet dust collector filters containing filter bags or cartridges. The main function of the MPS is to ensure the filter is cleaned only when it exceeds the set  $\Delta P$ . All the technical characteristics comply with the CE Directive. The MTS-PR1/4” conforms to the European Directive (89/336 EEC and 93/68 EEC).

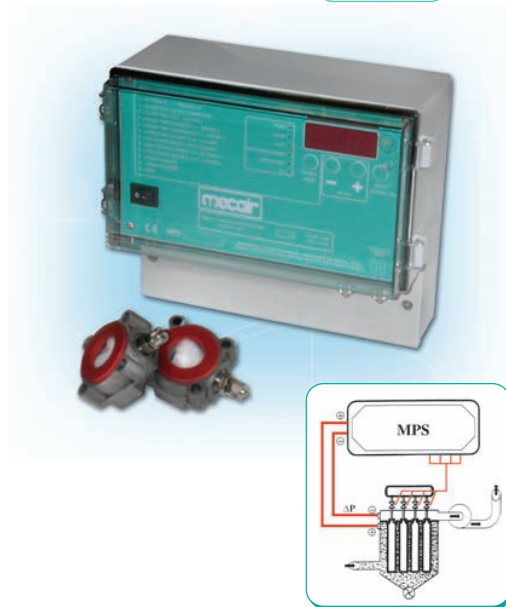
*Upon request it is possible to supply the unit in accordance to the European Directive EC/94/9 ATEX, ATEX II 3D (zone 22).*

The MPS sequencer is available in the following versions: MPS4, MPS8, MPS12, MPS16

The MPS unit visualizes all the values set, via a digital display (Operating  $\Delta P$ , Pulse time, pause time, number of shut down cleaning cycles).

The pause time used when in shut down cleaning mode is the same as the pause time set when in manual mode.

The MPS unit also has the “PRECOATING” function, which allows the user to set a higher value of  $\Delta P$  than normally required. (This is normally possible only once when the filter is new or when the filtering elements are new). This function is used in filters where it is necessary to ensure that the filtering elements absorb special re-agents which act as a further protection. By setting a higher  $\Delta P$  value (Pre coating  $\Delta P$  value), it allows the filtering elements to properly absorb the re-agents injected into the filter. Once the Precoating  $\Delta P$  value has been reached the pulsing will commence and will cease once it reaches the normal operating DP value. This value will no longer be considered in the normal functioning of the filter.

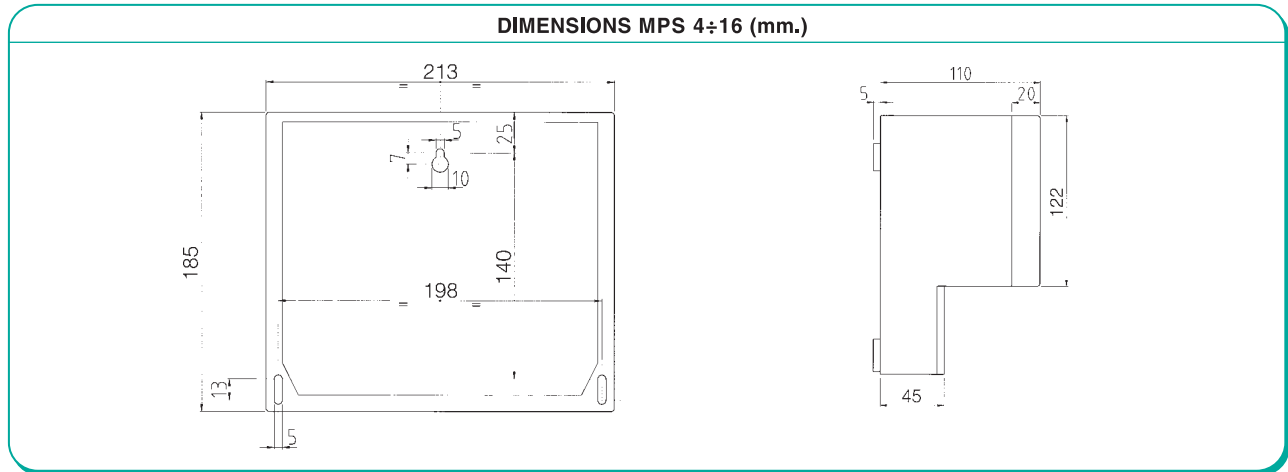


**MAIN FEATURES**

- Operates in MANUAL or AUTOMATIC( $\Delta P$ ) mode
- Automatic start up of cleaning cycle according to set  $\Delta P$
- SHUT DOWN CLEANING with selectable number of cleaning cycles
- PRECOATING function for new filters or filters equipped with new filtering elements
- REMOTE function
- ALARM contact enabling connection to external alarms
- HOUR COUNTER
- $\Delta P$  value playback (option)
- 4 - 20 mA  $\Delta P$  output (optional)

**DIMENSIONS**

**MPS**



**TECHNICAL CHARACTERISTICS**

<b>TECHNICAL CHARACTERISTICS</b>	
Enclosure	ABS grey - transparent cover
Protection rating	IP65
Dimensions	MPS 4-8-12-16 outlets: enclosure 213x185x133 mm.
Weight	Approx 2 Kg.
Connections	Terminal blocks - max.section 2,5 mm <sup>2</sup>
Temperature	Storage: -20°C / +80°C Operation: -10°C / +50°C, with duty cycle (intermittent) 30%
Power Inlet	Standard: 115/230 V AC (±10%), 50/60 Hz Optional: 24/48 V AC (±10%), 50/60 Hz (Selectable via jumpers)
Outlet Power	* Standard: 24/115/230 V AC - 50/60 Hz (In and Out upon Request) IN - OUT 24 V DC Optional: 48 V AC
Absorbed power	Without outlet: 25 V A - 20 W
Relay	2 A - 250 V AC
Main fuse	500 mA - delayed 115 V / 230      2 A delayed 24/48 V
Pulse time	0,01 ÷ 9,99 sec.
Pause time	1 ÷ 999 sec.
Pause time in automatic	1 ÷ 999 sec.
Operating ΔP	0,01 ÷ 2,50 kPa
Set alarm ΔP	0,01 ÷ 2,50 kPa
Shut down cleaning	0 ÷ 99 cycles
Remote control	To be operated from a non-powered external contact (normally open).
ΔP precoating	0,01 ÷ 2,49 kPa
Hour counter	0 ÷ 65,999 hours