



**ELECTROMAGNET 22 mm x Ø 13 mm
FOR POTENTIALLY EXPLOSIVE
CONSTRUCTION Ex nA**

**LBV05024A3
÷
LBV05230A3**

COIL LBV

Molding material: PET - Black polyethylene - class H (180°C)

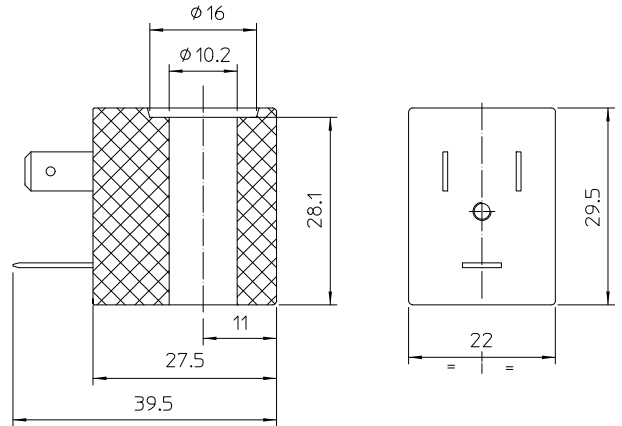
Winding: In class H

Electrical connections: With connector EN 175301-803 wheelbase 11
Protection degree IP65 EN 60529 (DIN 40050)

Ambient temperatur: - 10°C + 60°C



Special item-not standard



MATERIAL ON STOCK:

Code	Power	Voltages/Frequency	ED
LBV05024A3	10 VA	24 ~ 50	100%
LBV05024B3	10 VA	24 ~ 60	100%
LBV05024C3	5 W	24 ===	100%
LBV05110A3	10 VA	110 ~ 50 120 ~ 60	100%
LBV05230A3	10 VA	230 ~ 50 240 ~ 60	100%



(According to Directive 94/9/CE ATEX)

II 3G Ex nA IIC T3

II 3D Ex tD A22 IP65 T200°C

NOMINAL VOLTAGES DC + 10% -5%
TOLERANCES: AC + 10% -15%

Note

The coil to comply Atex category of protection mentioned above will be supplied only with connector ATEX type Ex II 3GD IP65.
ODE code be ordered separately: 992257
Available on request and with minimum quantities.

The "ODE" reserves the right to carry out technical and aesthetic modifications without prior notification.