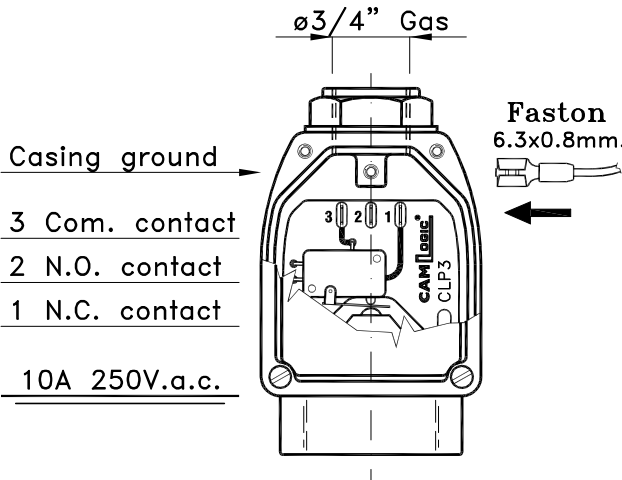


Certificate number TÜV 05 ATEX 2833 X – Marking: II 1 D T85°C IP65



Weight : 0.800 Kg

IP65 Protection

Mount by hanging through a pipe with 3/4" Gas threaded coupling which can be further used as a raceway for electrical conductors.

Assembly is achieved by means of a 100 mm. diameter hole or through a quadrangular opening measuring 80x80 mm.

Vertical installation maintains constant sensitivity in all directions.

Wiring with antivibrations cable terminals.

Die-cast aluminium casing UNI5076

Shaft in Stainless steel 303

Pendulum in Pa6 Nylon

Ambient temperature range -20 to +70 °C

