



ELECTROMAGNET 52 mm x Ø 13 mm FOR POTENTIALLY EXPLOSIVE CONSTRUCTION Ex nA

GDV14024C3
÷
GDV14230A3

COIL **GDV**

Molding material: PET - Black polyethylene - class H (180°C)

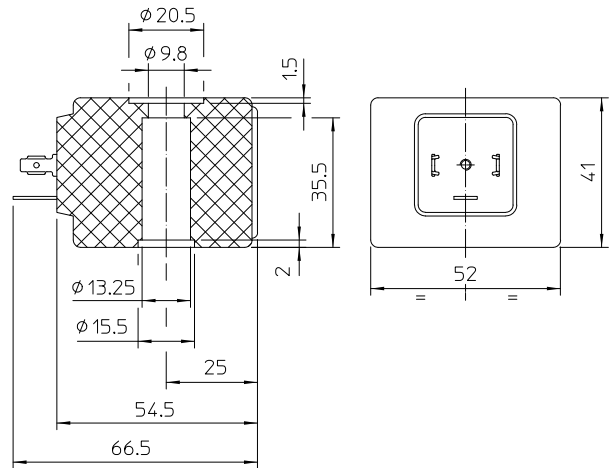
Winding: In class H

Electrical connections: With connector EN 175301-803 paragraph 5.3.1
Protection degree IP65 EN 60529 (DIN 40050)

Ambient temperatur: - 10°C + 60°C



Special item-not standard



MATERIAL ON STOCK:

Code	Power	Voltages/Frequency	ED
GDV14024C3	14 W	24 ===	100%
GDV14024D3	27 VA	24 ~ 50/60	100%
GDV14110A3	27 VA	110 ~ 50 120 ~ 60	100%
GDV14230A3	27 VA	230 ~ 50 240 ~ 60	100%

(According to Directive 94/9/CE ATEX)

II 3G Ex nA IIC T3

II 3D Ex tD A22 IP65 T200°C



NOMINAL VOLTAGES DC + 10% -5%
TOLERANCES: AC + 10% -15%

Note

The coil to comply Atex category of protection mentioned above will be supplied only with connector ATEX type Ex II 3GD IP65.
ODE code be ordered separately: 992221
Available on request and with minimum quantities.

The "ODE" reserves the right to carry out technical and aesthetic modifications without prior notification.