



## LEVEL INDICATOR

# CLC40

Product Line: **Conductive**



Liquids



Food product

Conductive level control for liquids. Versions with 2 or 3 stainless steel rods and with G 1" 1/2 process connection.

### ADVANTAGES

- An **EASY TO INSTALL** instrument that does not require any maintenance or specific tool for its installation.
- Extremely **VERSATILE**, it can be installed on tanks, on walls or roofs of silos, in a vertical or horizontal position.
- **CUSTOMIZABLE** with different voltages.
- The instrument sensitivity is **ADAPTABLE** to the conductance of the liquid, and an intervention delay can be set when needed.
- Allows for the **INDEPENDENT** control of two levels.

# LEVEL INDICATOR CLC40

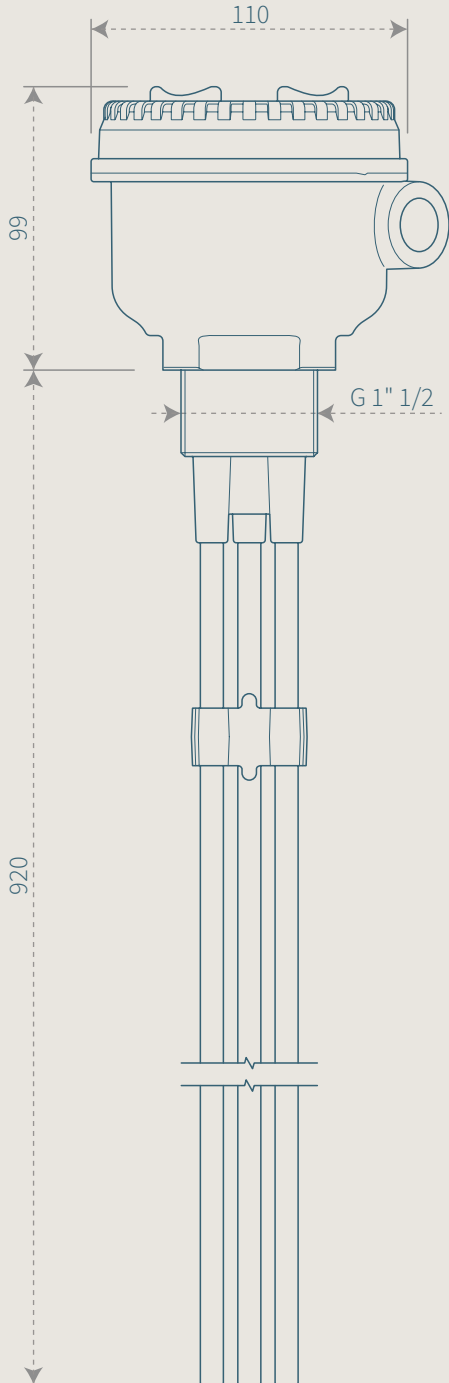
Product Line: **Conductive**



Liquids



Food  
product



## Customizations



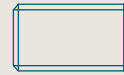
115/230V AC



24/48V AC



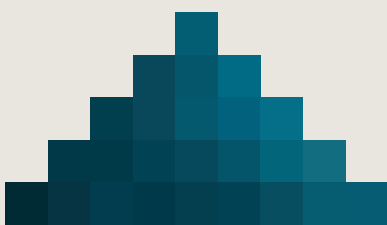
24V DC

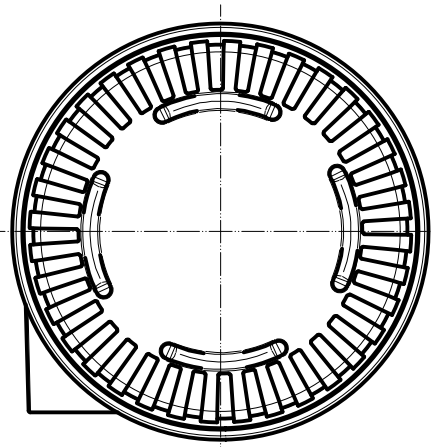
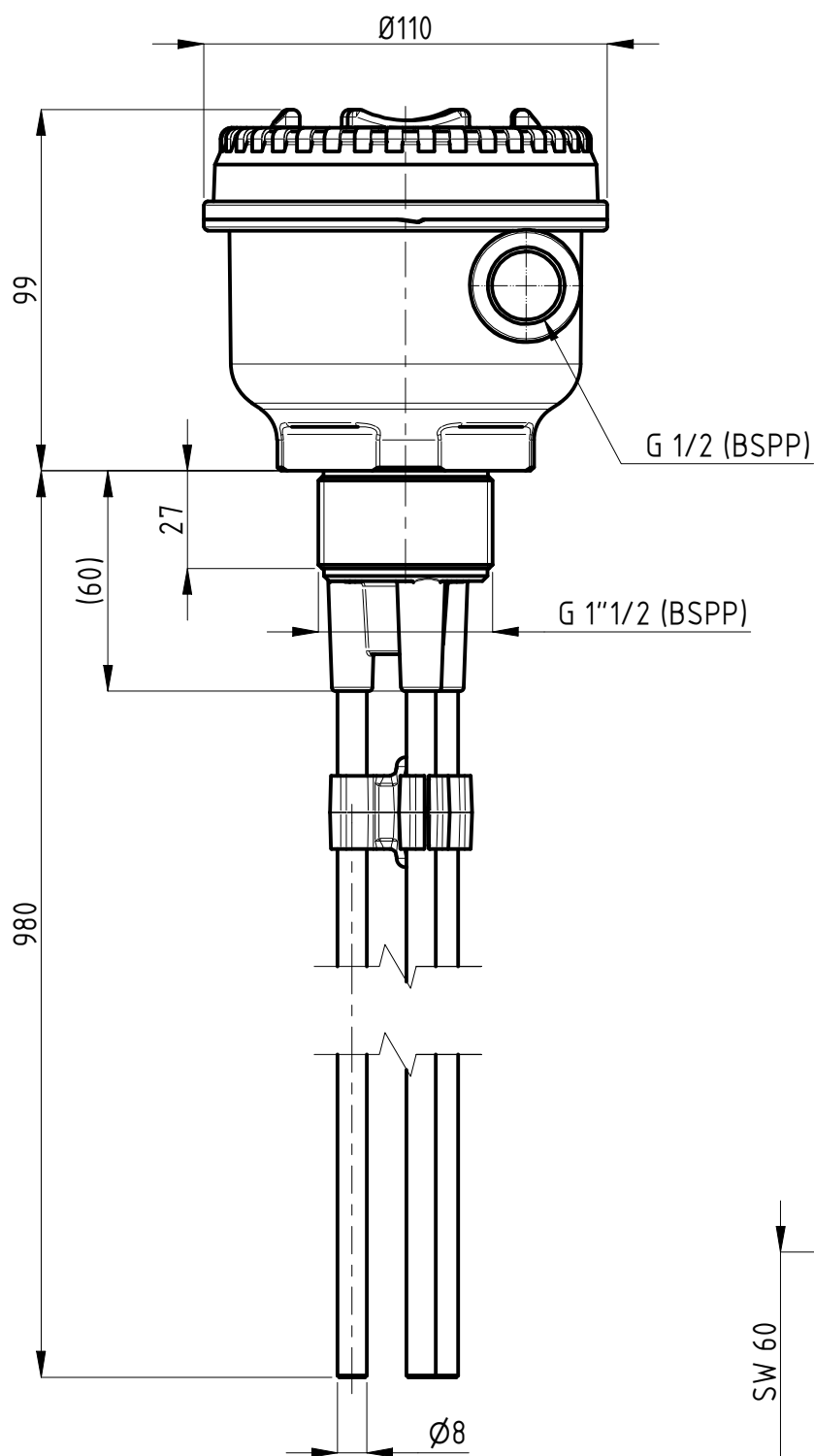


Stainless steel  
sleeve G 2" 1/2

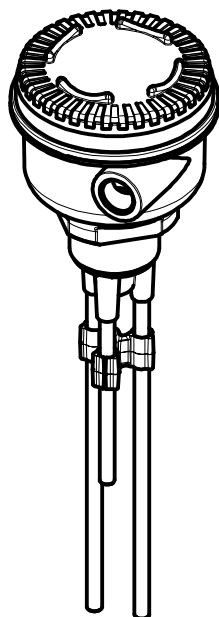


Standard rod length 920mm  
min. 80mm - max on request

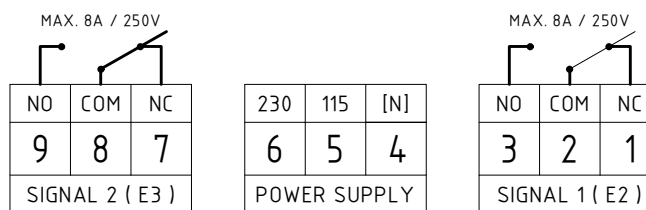




(1:4)

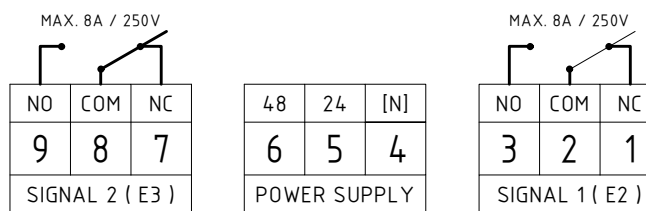


Terminals : male FASTON (.250 series / 6,3x0,8 mm)



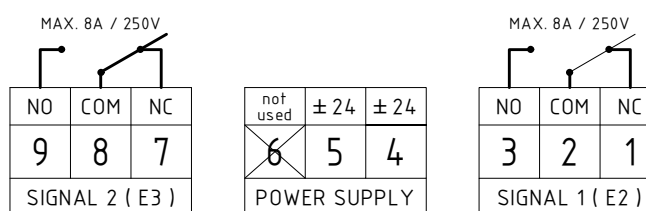
LED 2 = OFF  $\sim$  115/ 230 V (AC) LED 1 = OFF

CONTACT POSITIONS WHEN ENERGIZED AND MATERIAL NOT PRESENT



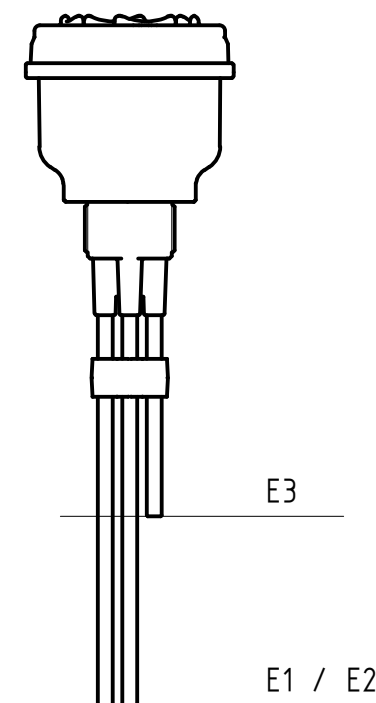
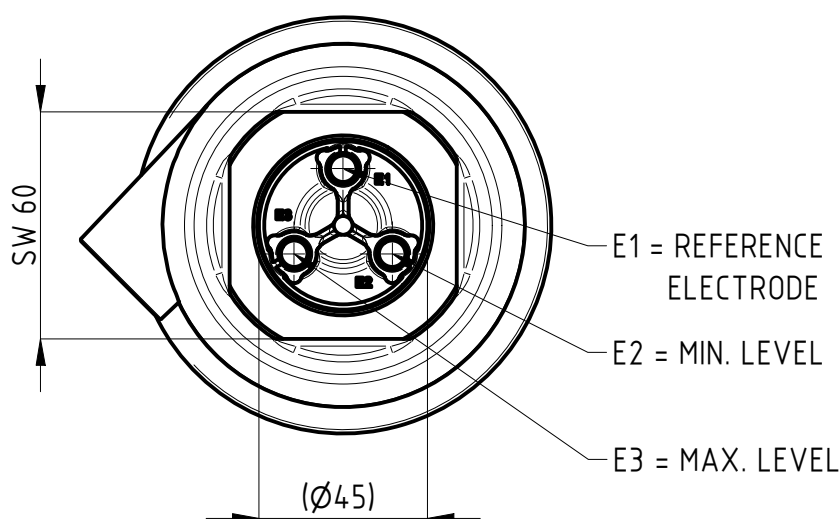
LED 2 = OFF  $\sim$  24/ 48 V (AC) LED 1 = OFF

CONTACT POSITIONS WHEN ENERGIZED AND MATERIAL NOT PRESENT



LED 2 = OFF  $\text{---}$  24 V (DC) LED 1 = OFF

CONTACT POSITIONS WHEN ENERGIZED AND MATERIAL NOT PRESENT



Model	CLC40
Weight	2,2 [kg]
Power supply	- Bivoltage 115/230[V] (50...60Hz) - 1[W] - Bivoltage 24/48[V] (50...60Hz) - 1[W] - DC 24[V] ±15% - 1[W]
Signal	SPDT / max. 8[A]-250VAC
IP grade	IP67
Housing	Polyamide (reinforced)
Connection	G 1" 1/2 - polyamide
Electrode material	AISI 316
Ambient temperature	-10 < Ta < +70 [°C]
Process temperature	-10 < Tp < +90 [°C]
MAX Pressure	+8 [bar]
Directives	2011/65/EU (RoHS) 2014/30/EU (EMC) 2014/35/EU (LVD) 1935/2004/EU (Food Compliance)

© CAMLogic, 2021  
- ALL RIGHTS RESERVED-

® CAMLogic  
Via dell'Industria 12  
42025 Cavriago (RE) - ITALY  
www.camlogic.it

**CAMLOGIC**

DRAWING N.  
**0602\_018\_0**

SHEET:  
1 OF 2

REV: 0

GENERAL TOL.: ISO 2768-mH

UNLESS OTHERWISE SPECIFIED  
DRAWING FROM CAD SYSTEM - REFER TO 3D MODEL FOR  
MISSING DIMENSION - NO MANUAL MODIFICATION ALLOWED

SCALE: 1:2

DRAWN NR  
DATE 02.11.2021

SIZE UNI A3

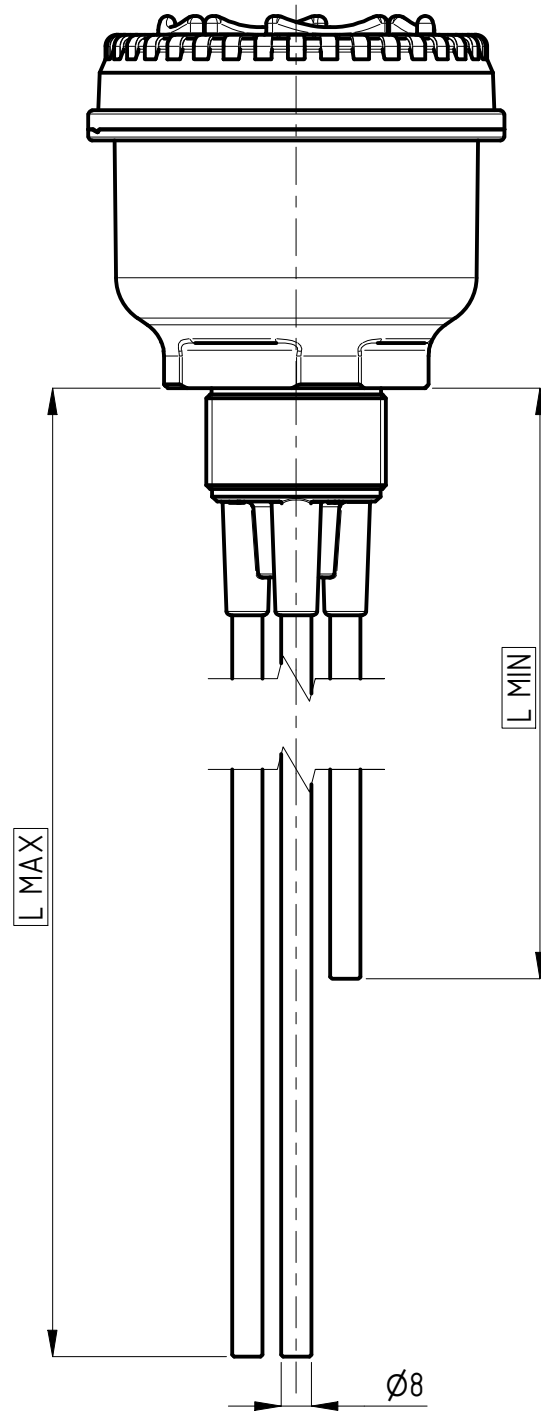
**EXTENSIONS**

® CAMLogic, 2021  
- ALL RIGHTS RESERVED -

**NOTES :**

- 1) lengths may slightly differ from the tables  
( +/- 5[mm] )
- 2) electrodes can be shortened on site

L MAX / L MIN [mm]
80
180
280
480
980
1480
1980
2980
other lengths available on request, up to 3m



<p>® CAMLogic Via dell'Industria 12 42025 Cavriago (RE) - ITALY www.camlogic.it</p>		DRAWING N.	SHEET:
		0602_018_0	2 OF 2
GENERAL TOL.: ISO 2768-mH	UNLESS OTHERWISE SPECIFIED DIMENSION ARE IN [mm]	DRAWING FROM CAD SYSTEM - REFER TO 3D MODEL FOR MISSING DIMENSION - NO MANUAL MODIFICATION ALLOWED	REV: 0
		SCALE: 1:2	DRAWN NR DATE 19.10.2021

SIZE UNI A4