



# ELECTROMAGNET 30 mm x Ø 13 mm FOR POTENTIALLY EXPLOSIVE CONSTRUCTION Ex nA

BDV08024C3  
÷  
BDV08230A3

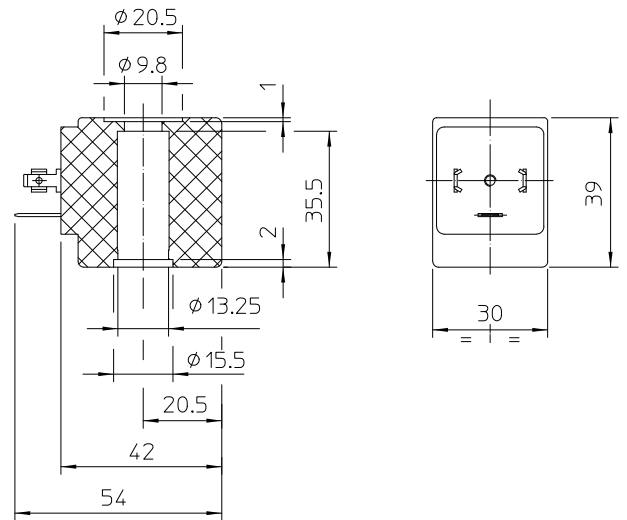
COIL **BDV**

**Molding material:** PET - Black polyethylene - class H (180°C)

**Winding:** In class H

**Electrical connections:** With connector EN 175301-803 paragraph 5.3.1  
Protection degree IP65 EN 60529 (DIN 40050)

**Ambient temperatur:** max + 60°C



## MATERIAL ON STOCK:

Code	Power	Voltages/Frequency	ED
BDV08024C3	8 W	24 ===	100%
BDV08024D3	14,5 VA	24 ~ 50/60	100%
BDV08110A3	14,5 VA	110 ~ 50 120 ~ 60	100%
BDV08230A3	14,5 VA	230 ~ 50 240 ~ 60	100%

(According to Directive 94/9/CE ATEX )

II 3G Ex nA IIC T3

II 3D Ex tD A22 IP65 T200°C



**NOMINAL VOLTAGES** DC + 10% -5%  
**TOLERANCES:** AC + 10% -15%

### Note

The coil to comply Atex category of protection mentioned above will be supplied only with connector ATEX type Ex II 3GD IP65.  
ODE code be ordered separately: 992221  
Available on request and with minimum quantities.

The "ODE" reserves the right to carry out technical and aesthetic modifications without prior notification.