

DESCRIPTION

Sequencer for dedusting plant cleaning cycle control with digital dP control by internal transducer.

STANDARD FEATURES

- ✓ Relay Voltage ON (K1)
- ✓ Manual activation of every single output from keyboard
- ✓ Select Number of outputs
- ✓ Activation time from 0.05 to 5.00 sec.
- ✓ Interval time between ev. during post-cleaning
- ✓ Interval time from 1 to 999 sec.
- ✓ Short-circuit protection of every single output
- ✓ Input activation from external contacts
- ✓ Cleaning cycle
- ✓ ON/OFF cleaning cycle from external pressure switch. STOP at the end of the cycle
- ✓ Operation hours-counter
- ✓ Additional cycles from voltfree contact. ALWAYS enabled.
- ✓ ON/OFF cleaning cycle from external contact
- ✓ Maximum load power 25W per output
- ✓ Input and output voltage selection
- ✓ Multi language display

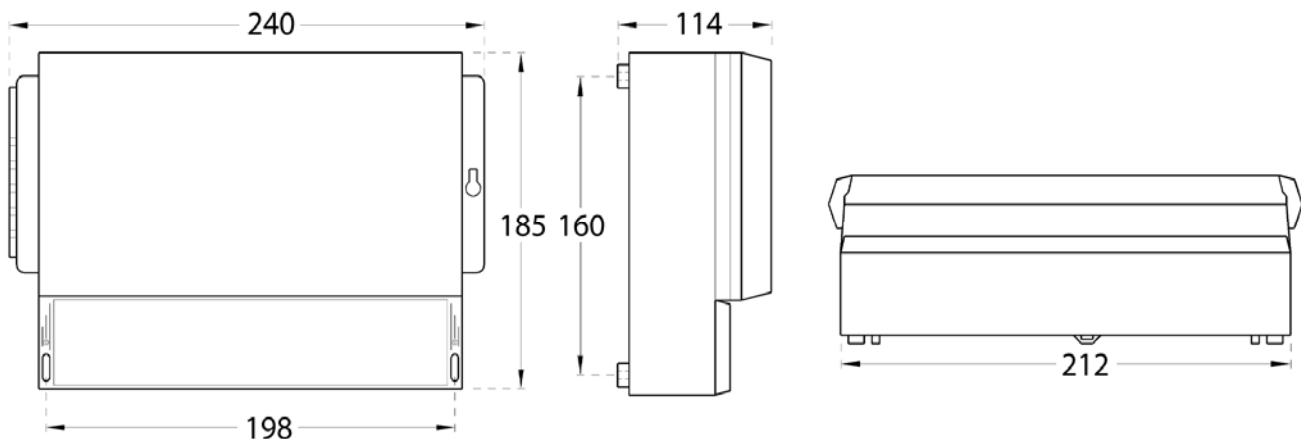
OPTION ON REQUEST

- ✓ Tropicalisation of the Printed Circuit
- ✓ Metric Cable Glands. Type and Q.ty on request.



TECHNICAL FEATURES

Standard supply voltage:	230 VAC / 115 VAC
Supply voltage on request:	24 VAC / 24 VDC
Operating temperature	- 10 °C ÷ + 50 °C
Protection degree	IP65
Material	ABS
Terminals	2,5 mm ² - 250 VAC / 12 A



DESCRIPTION

Sequencer for dedusting plant cleaning cycle control with digital dP control by internal transducer.

STANDARD FEATURES

- ✓ Relay Voltage ON (K1)
- ✓ Manual activation of every single output from keyboard
- ✓ Select Number of outputs
- ✓ Activation time from 0.05 to 5.00 sec.
- ✓ Interval time between ev. during post-cleaning
- ✓ Interval time from 1 to 999 sec.
- ✓ Short-circuit protection of every single output
- ✓ Input activation from external contacts
- ✓ Cleaning cycle
- ✓ ON/OFF cleaning cycle from external pressure switch. STOP at the end of the cycle
- ✓ Operation hours-counter
- ✓ Additional cycles from voltfree contact. ALWAYS enabled.
- ✓ ON/OFF cleaning cycle from external contact
- ✓ Maximum load power 25W per output
- ✓ Input and output voltage selection
- ✓ Multi language display

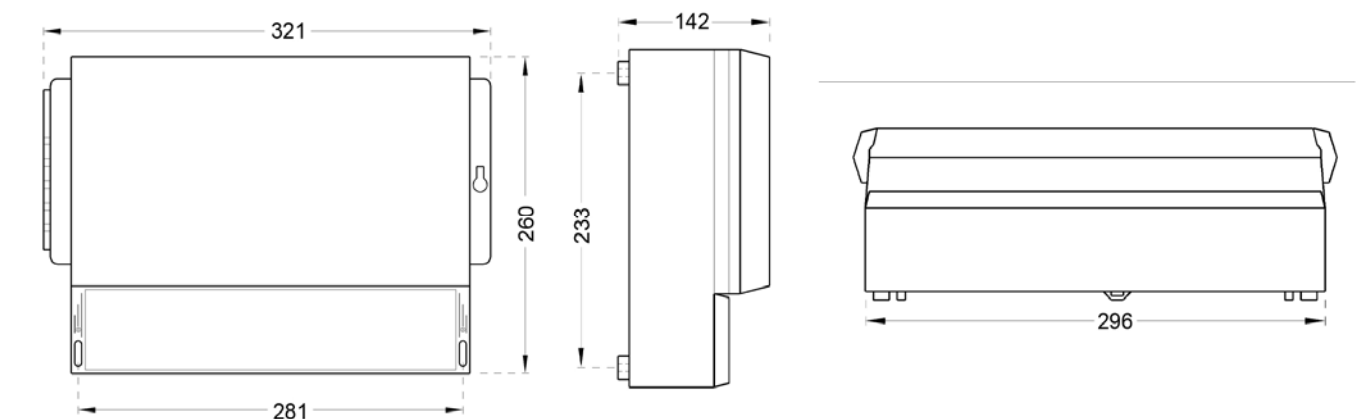
OPTION ON REQUEST

- ✓ Tropicalisation of the Printed Circuit
- ✓ Metric Cable Glands. Type and Q.ty on request.



TECHNICAL FEATURES

Standard supply voltage:	230 VAC / 115 VAC
Supply voltage on request:	24 VAC / 24 VDC
Operating temperature	- 10 °C ÷ + 50 °C
Protection degree	IP65
Material	ABS
Terminals	2,5 mm ² - 250 VAC / 12 A



DESCRIPTION

Sequencer for dedusting plant cleaning cycle control with digital dP control by internal transducer.

STANDARD FEATURES

- ✓ Relay Voltage ON (K1)
- ✓ Manual activation of every single output from keyboard
- ✓ Select Number of outputs
- ✓ Activation time from 0.05 to 5.00 sec.
- ✓ Interval time between ev. during post-cleaning
- ✓ Interval time from 1 to 999 sec.
- ✓ Short-circuit protection of every single output
- ✓ Input activation from external contacts
- ✓ Cleaning cycle
- ✓ ON/OFF cleaning cycle from external pressure switch. STOP at the end of the cycle
- ✓ Operation hours-counter
- ✓ Additional cycles from voltfree contact. ALWAYS enabled.
- ✓ ON/OFF cleaning cycle from external contact
- ✓ Maximum load power 25W per output
- ✓ Input and output voltage selection
- ✓ Multi language display

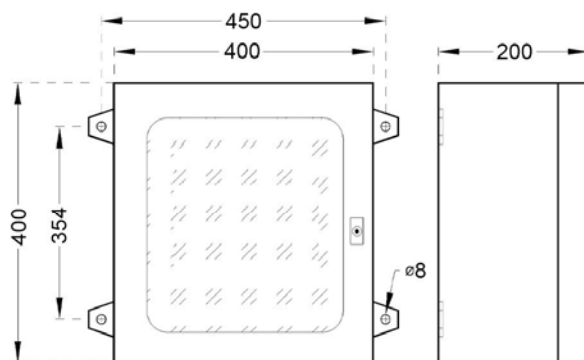
OPTION ON REQUEST

- ✓ Tropicalisation of the Printed Circuit
- ✓ Metric Cable Glands. Type and Q.ty on request.



TECHNICAL FEATURES

Standard supply voltage:	230 VAC / 115 VAC
Supply voltage on request:	24 VAC / 24 VDC
Operating temperature	- 10 °C ÷ + 50 °C
Protection degree	IP65
Material	ABS
Terminals	2,5 mm ² - 250 VAC / 12 A



DESCRIPTION

Sequencer for dedusting plant cleaning cycle control with digital dP control by internal transducer.

STANDARD FEATURES

- ✓ Relay Voltage ON (K1)
- ✓ Manual activation of every single output from keyboard
- ✓ Select Number of outputs
- ✓ Activation time from 0.05 to 5.00 sec.
- ✓ Interval time between ev. during post-cleaning
- ✓ Interval time from 1 to 999 sec.
- ✓ Short-circuit protection of every single output
- ✓ Input activation from external contacts
- ✓ Cleaning cycle
- ✓ ON/OFF cleaning cycle from external pressure switch. STOP at the end of the cycle
- ✓ Operation hours-counter
- ✓ Additional cycles from voltfree contact. ALWAYS enabled.
- ✓ ON/OFF cleaning cycle from external contact
- ✓ Maximum load power 25W per output
- ✓ Input and output voltage selection
- ✓ Multi language display

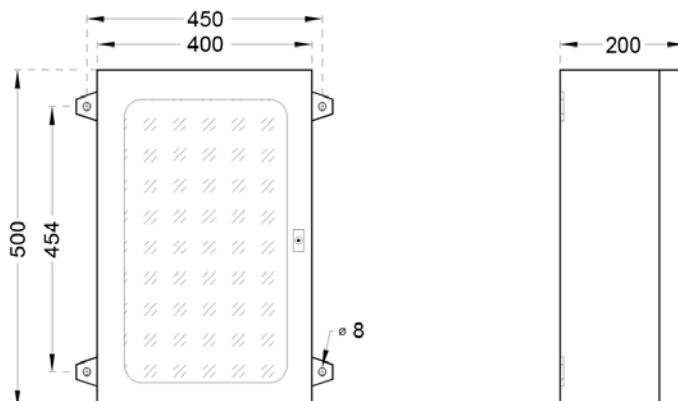
OPTION ON REQUEST

- ✓ Tropicalisation of the Printed Circuit
- ✓ Metric Cable Glands. Type and Q.ty on request.



TECHNICAL FEATURES

Standard supply voltage:	230 VAC / 115 VAC
Supply voltage on request:	24 VAC / 24 VDC
Operating temperature	- 10 °C ÷ + 50 °C
Protection degree	IP65
Material	ABS
Terminals	2,5 mm ² - 250 VAC / 12 A



DESCRIPTION

Sequencer for dedusting plant cleaning cycle control with digital dP control by internal transducer.

STANDARD FEATURES

- ✓ Relay Voltage ON (K1)
- ✓ Manual activation of every single output from keyboard
- ✓ Select Number of outputs
- ✓ Activation time from 0.05 to 5.00 sec.
- ✓ Interval time between ev. during post-cleaning
- ✓ Interval time from 1 to 999 sec.
- ✓ Short-circuit protection of every single output
- ✓ Input activation from external contacts
- ✓ Cleaning cycle
- ✓ ON/OFF cleaning cycle from external pressure switch. STOP at the end of the cycle
- ✓ Operation hours-counter
- ✓ Additional cycles from voltfree contact. ALWAYS enabled.
- ✓ ON/OFF cleaning cycle from external contact
- ✓ Maximum load power 25W per output
- ✓ Input and output voltage selection
- ✓ Multi language display

OPTION ON REQUEST

- ✓ Tropicalisation of the Printed Circuit
- ✓ Metric Cable Glands. Type and Q.ty on request.



TECHNICAL FEATURES

Standard supply voltage:	230 VAC / 115 VAC
Supply voltage on request:	24 VAC / 24 VDC
Operating temperature	- 10 °C ÷ + 50 °C
Protection degree	IP65
Material	ABS
Terminals	2,5 mm ² - 250 VAC / 12 A

