



# Pressure transducer

## UL CSA Certified Recognized and Listed

# PT Series

### DESCRIPTION:

The pressure transducer generates an electrical output signal proportional to the inlet pressure. The ceramic sensor detects the pressure of the most common fluids: air, water, gas, steam and aggressive media. When the temperature changes, the integrated digital electronic provides an offset and span correction and also an aging detection and compensation. This technology guarantees good precision and long term stability. The pressure transducer meets the requirements of Electromagnetic Compatibility EMI.

Due to the special O-Ring seal, specially developed for this type of product, can be assembled on the majority of existing fittings (\* see drawing next page).

### APPLICATION:

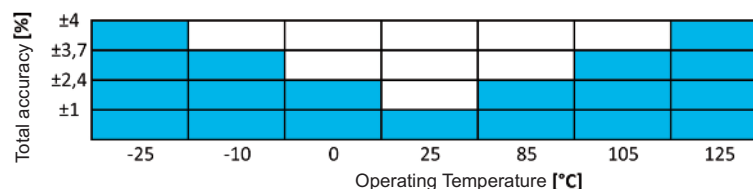
- Industrial pressure monitoring in industrial applications
- Medical
- Dosing system
- Vending
- Packaging
- Chemistry
- Food



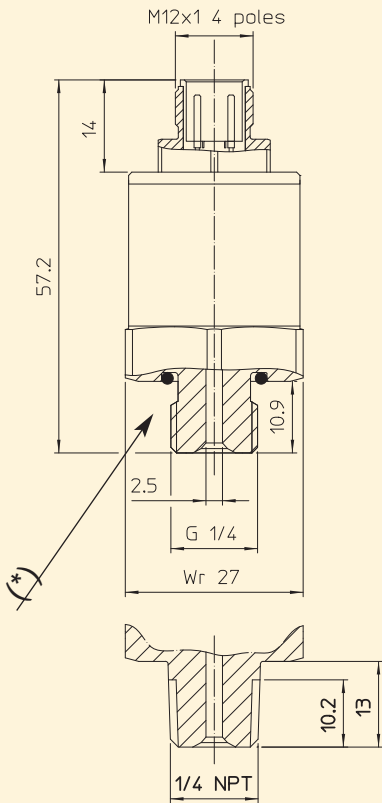
Gaskets	Temperature		Medium
V=FKM (fluoroelastomer)	- 10°C	+140°C	Mineral oils (2°E), gasoline, gas oil, fuel oils (7°E)
B=NBR (nitrile rubber)	- 10°C	+ 90°C	Air, inert gas, water

Pipe	Code (Recognized version)	Pressure range [bar]	Supply Voltage [V]	Output range	Overload pressure [bar] PS	Burst pressure [bar]
G 1/4	PT001RG02V1000	0~1	12-35	0-10V	2	3
G 1/4	PT002RG02V0000	0~2	9-35	4-20 mA	4	8
G 1/4	PT002RG02V2000	0~2	5	0,5~4,5V	4	8
G 1/4	PT005RG02V0000	0~5	9-35	4-20 mA	10	20
G 1/4	PT010RG02V0000	0~10	9-35	4-20 mA	20	35
G 1/4	PT010RG02V1000	0~10	12-35	0~10 V	20	35
G 1/4	PT016RG02V0000	0~16	9-35	4-20 mA	40	60
1/4 NPT	PT020RN02V0000	0~20	9-35	4-20 mA	40	60
G 1/4	PT020RG02V0000	0~20	9-35	4-20 mA	40	60
G 1/4	PT020RG02V1000	0~20	12-35	0~10 V	40	60
G 1/4	PT020RG02V2000	0~20	5	0,5~4,5V	40	60
G 1/4	PT050RG02V0000	0~50	9-35	4-20 mA	100	140
G 1/4	PT050RG02V1000	0~50	12-35	0~10 V	100	140
G 1/4	PT100RG02V0000	0~100	9-35	4-20 mA	150	300
G 1/4	PT100RG02V1000	0~100	12-35	0~10 V	150	300
G 1/4	PT200RG02V0000	0~200	9-35	4-20 mA	300	400
G 1/4	PT400RG02V0000	0~400	9-35	4-20 mA	500	650

For UL CSA Listed, please see key code.



The "ODE" reserves the right to carry out technical and aesthetic modifications without prior notice.



### MATERIALS:

Connection fitting: AISI 316L  
 O-Ring seal: Standard: V=FKM  
 On request B=NBR  
 Ceramic sensor: Al<sub>2</sub>O<sub>3</sub> 96%

### TECHNICAL DETAILS:

Environmental protection: IP67  
 Response time: ≤ 5 ms

### ACCESSORIES:

(Only for Transducer Recognized)

Connector M12 4 pole female, 3 wires (order separately).

P992268/1000 straight 1 m  
 P992268/3000 straight 3 m  
 P992268/5000 straight 5 m

P992269/1000 90° 1 m  
 P992269/3000 90° 3 m  
 P992269/5000 90° 5 m  
 Other length on request.

### PRESSURE TRANSDUCER CODE

**PT 010RG01V1000**

DIGITS FOR SPECIAL PRESSURE SETUP

#### OUTPUT

- 0** 4-20 mA
- 1** 0-10 V
- 2** Ratiometric 0,5-4,5V

#### SEALING MATERIALS

- B** NBR
- V** FKM

#### UL APPROVAL

- 0** UL Recognized
- A** UL Listed with connector 1 m, straight
- B** UL Listed with connector 1 m, 90°
- C** UL Listed with connector 3 m, straight
- D** UL Listed with connector 3 m, 90°
- E** UL Listed with connector 5 m, straight
- F** UL Listed with connector 5 m, 90°

#### PRESSURE RANGE

- 001** 1 bar
- 002** 2 bar
- 005** 5 bar
- 010** 10 bar
- 020** 20 bar
- 050** 50 bar
- 100** 100 bar
- 200** 200 bar
- 400** 400 bar

#### MEASURE TYPE

- A** ABSOLUTE
- R** RELATIVE

#### PIPE INITIALS

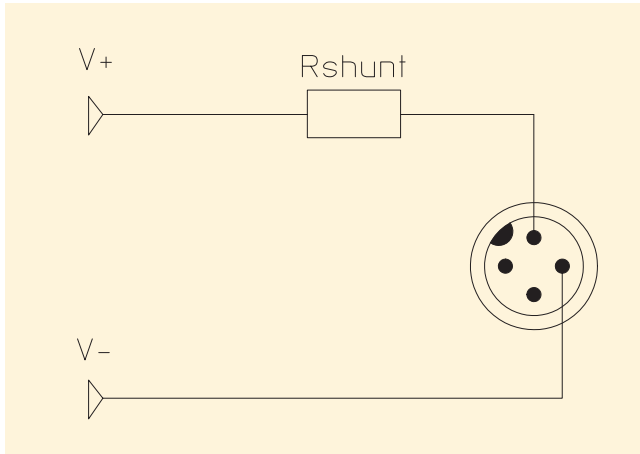
- G** GAS
- N** NPT
- 01** 1/8
- 02** 1/4
- 03** 3/8
- 04** 1/2

SERIES PRESSURE TRANSDUCER

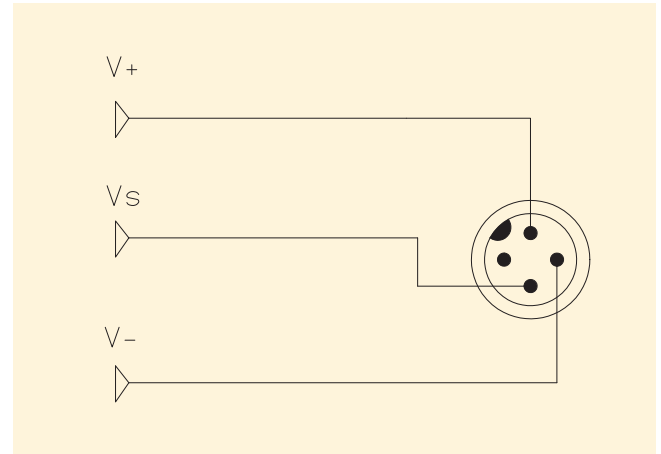
Standard



## CONNECTION DIAGRAM




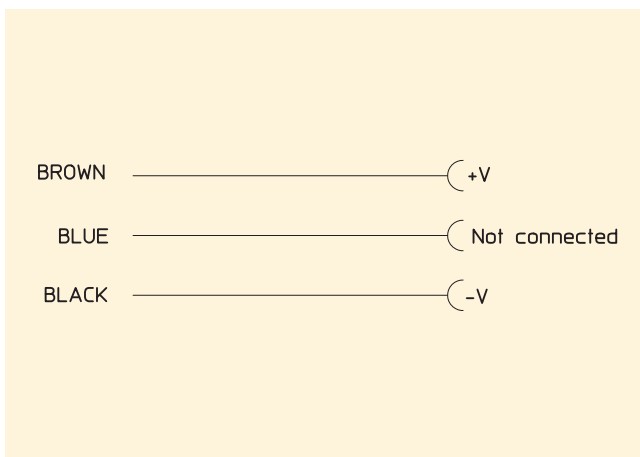
Version 4-20 mA



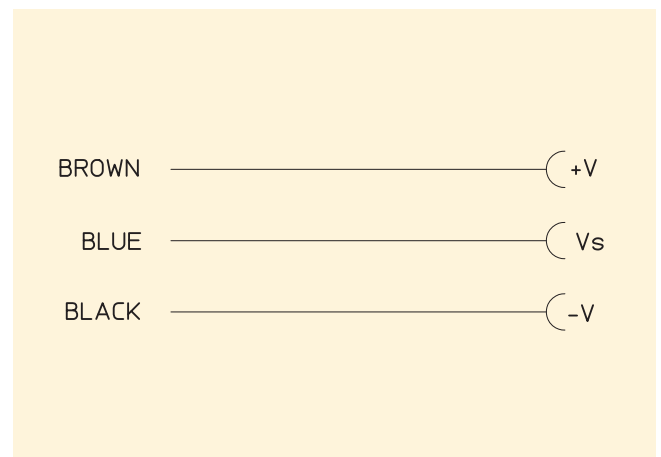
Version 0-10V and raziometric

## ODE CABLES CONNECTION DIAGRAM

 (only for ODE cables connection)



Version 4-20 mA



Version 0-10V and ratiometric

### Meaning of symbols

- V+ = Positive pole of the supply voltage
- V- = Negative pole of the supply voltage, and the output signal
- Vs = Positive pole of the output signal
- Rshunt = Resistance amperometric