



Coils

INDEX

APPROVALS

ALPHABETIC SERIES

POWER	5 W - 10 VA	7 W - 11,5 VA 12,5 VA - 13,5 VA	8 W - 14,5 VA	10 W	11 W - 15 VA 16 VA - 17 VA	12 W - 22 VA ED 50%	12 W - 23 VA 25 VA	14 W - 23 VA 26 VA - 27 VA	CE	Ex	UL	UL	VDE	UL
Width	22 mm	22 mm	30 mm	22 mm	30 mm	28 mm	36 mm	52 mm						
BDA			CONNECTOR EN 175301-803						X					
BDF					CONNECTOR EN 175301-803				X			(2)		
BDV					CONNECTOR EN 175301-803				X					(1)
BSA			CABLES 100 cm						X					
BVA			CABLES 50 cm						X					
GDH								CONNECTOR EN 175301-803	X					
GDV								CONNECTOR EN 175301-803	X					(1)
ICA						FASTON DIN 46244								
LBA	CONNECTOR EN 175301-803								X					
LBF	CONNECTOR EN 175301-803								X		(3)			
LBV		CONNECTOR EN 175301-803		CONNECTOR EN 175301-803					X		(3)	(2)	(4)	(1)
TNA	See coils list								X	(5)				
UDA							CONNECTOR EN 175301-803		X					
UDV							CONNECTOR EN 175301-803		X			(2)		

ELECTRICAL CONNECTION

- (1) Available also with UL, CSA, VDE approval.
- (2) For some voltages UL, CSA approval available.
- (3) For some voltages UL approval available.

- (4) For some voltages VDE approval available.
- (5) Approval Ex mb II T 4

The "ODE" reserves the right to carry out technical and aesthetic modifications without prior notification.

Coils codes

DIMENSIONS:

- B** Width 30 - tube Ø 13
- G** Width 52 - tube Ø 13
- I** Width 28 - tube Ø 10
- L** Width 22 - tube Ø 10
- T** Width 36 - tube Ø 14,5
- U** Width 36 - tube Ø 13

ELECTRICAL CONNECTIONS:

- B** connector EN 175301-803 whellbase 11
- C** 2 faston DIN 46244
- D** connector EN 175301-803 paragraph 5.3.1
- N** 3 cables cm 300
- S** 2 cables cm 100
- V** 2 cables cm 50

MOLDING MATERIAL:

- A** PA - Black polyamide - class F (155°C)
- F** PPS - Black polyphenylensulphide - class H (180°C)
- H** EP - Black epoxy resin - class H (180°C)
- V** PET - Black Polyethylene - class H (180°C)

B D A 0 8 2 3 0 A S

APPROVALS:

- A** Explosion-proof
- S** Without approval
- U** UL approval
- V** VDE approval
- W** UL, CSA approval
- Y** UL, CSA, VDE approval

FREQUENCY:

- A** 50 Hz ED 100%
- B** 60 Hz ED 100%
- C** D.C. ED 100%
- D** 50/60 Hz ED 100%
- E** 50 Hz ED 50%
- H** D.C. ED 50%

POWER:

- 4X** 7,2 VA
- 0 5** 5 W - 7W
7,7 VA - 9,24 VA
10 VA - 11,5 VA
12,5 VA - 13,5 VA
- 5X** 9,13 VA
- 0 8** 8 W - 10W -
11W - 14,5 VA -
15 VA - 16 VA -
17 VA
- 10** 10,1 W
- 1 2** 12 W - 22 VA
23 VA - 25 VA
- 1 4** 14 W - 23 VA
26 VA - 27 VA

VOLTAGES:

- 0 1 2** 12 V
- 0 2 4** 24 V
- 1 1 0** 110 V
- 1 1 2** 110 -120 V
- 2 2 0** 220 V
- 2 2 3** 220-230 V
- 2 2 4** 220-240 V
- 2 3 0** 230 V
- 3 8 0** 380 V

NOMINAL VOLTAGE TOLERANCES:

- DC + 10% -5%
- AC + 10% -15%

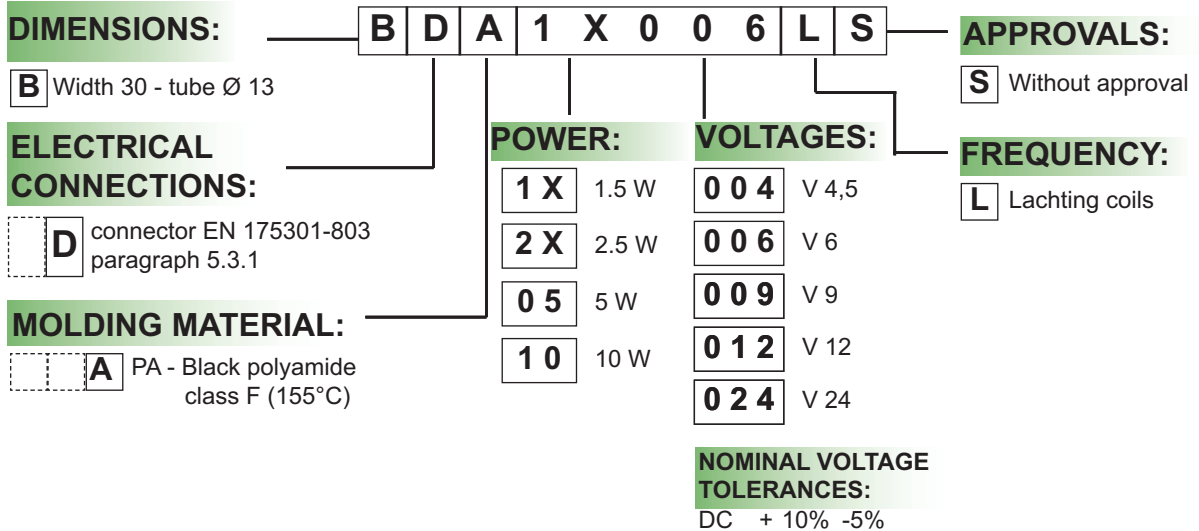


LATCHING COILS

INDEX

VOLTAGES - Volt -		4,5	6	9	6	9	12	9	12	24	12	24
POWER - Watt -		1,5	2,5	5	1,5	2,5	5	1,5	2,5	10	1,5	5
SERIES width	RESISTANCE Ω											
BDA 30 mm CONNECTOR EN 175301-803 paragraph 5.3.1	014	X	X	X								
	026				X	X	X					
	058							X	X	X		
	115										X	X

CODES



The "ODE" reserves the right to carry out technical and aesthetic modifications without prior notification.



COILS 30 mm x Ø 13 mm

BDA08012AS

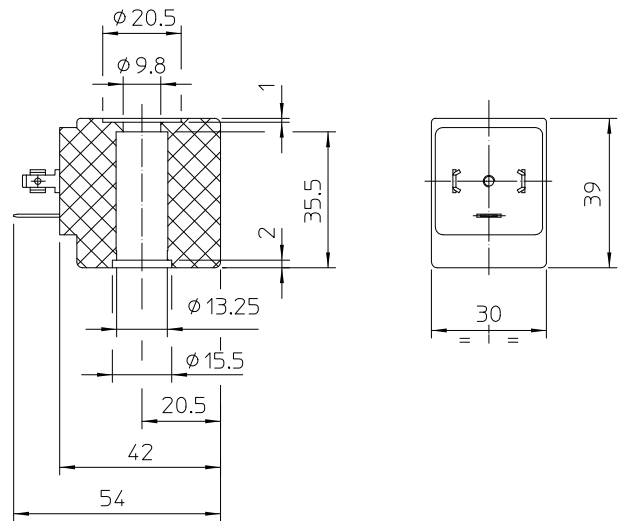
÷

BDV08230AY

COIL

BDA Molding material: PA - Black polyamide - class F (155°C)
BDF Molding material: PPS - Black polyphenylsulfide - class H (180°C)
BDV Molding material: PET - Black polyethylene - class H (180°C)
Winding: In class H
Electrical connections: With connector EN 175301-803 paragraph 5.3.1
Protection degree IP 65 EN 60529 (DIN 40050)

MOULDING AND BOBBIN ARE MADE BY 100% VIRGIN MATERIAL



MATERIAL ON STOCK:

Code	Power	Voltages/Frequency	ED	Approvals
BDA08012AS	14,5 VA	12 ~ 50	100%	CE
BDA08012CS	8 W	12 ===	100%	CE
BDA08024CS	8 W	24 ===	100%	CE
BDA08024DS	14,5 VA	24 ~ 50/60	100%	CE
BDA08110DS	14,5 VA	110 ~ 50/60	100%	CE
BDA08223DS	14,5 VA	220/230 ~ 50/60	100%	CE
BDA08380DS	14,5 VA	380 ~ 50/60	100%	CE
BDF08012CU	11 W	12 ===	100%	CE - UL - CSA
BDV08024CY	11 W	24 ===	100%	CE - UL - CSA - VDE
BDV08024DY	17 VA	24 ~ 50/60	100%	CE - UL - CSA - VDE
BDV08110AY	15 VA	110 ~ 50 120 ~ 60	100%	CE - UL - CSA - VDE
BDV08230AY	16 VA	230 ~ 50 240 ~ 60	100%	CE - UL - CSA - VDE

NOMINAL VOLTAGES DC + 10% -5%
TOLERANCES: AC + 10% -15%

Other voltages and power absorptions available on demand and for quantities.

The "ODE" reserves the right to carry out technical and aesthetic modifications without prior notification.



COILS 30 mm x Ø 13 mm with cable

BSA08223DS

÷

BVA08223DS

COIL

BSA with cm 100 cable

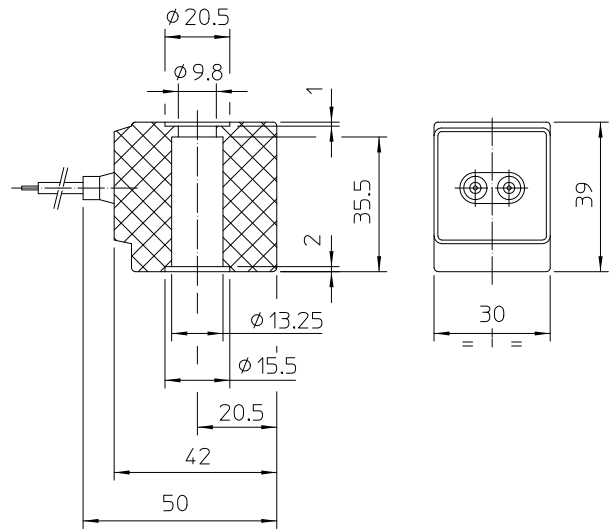
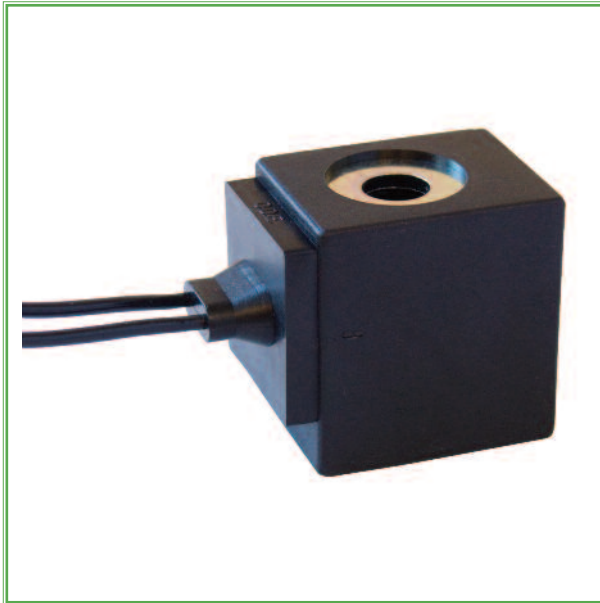
BVA with cm 50 cable

Molding material: PA - Black Polyamide - class F (155°C)

Winding: In class H

Electrical connections: Cables

MOULDING AND BOBBIN ARE MADE BY 100% VIRGIN MATERIAL.



MATERIAL ON STOCK:

Code	Power	Voltages/Frequency	ED	Approvals
BSA08223DS	14,5 VA	220/230 ~ 50/60	100%	CE
BVA08223DS	14,5 VA	220/230 ~ 50/60	100%	CE

NOMINAL VOLTAGE DC + 10% - 5%
TOLERANCES: AC +10% - 15%

Other voltages and power absorptions available on demand and for quantities.

The "ODE" reserves the right to carry out technical and aesthetic modifications without prior notification.



LATCHING COILS 30 mm x Ø 13 mm

**BDA
LATCHING COILS**

COIL **BDA** Molding material: PA - Black polyamide - class F (155°C)

Winding: In class H

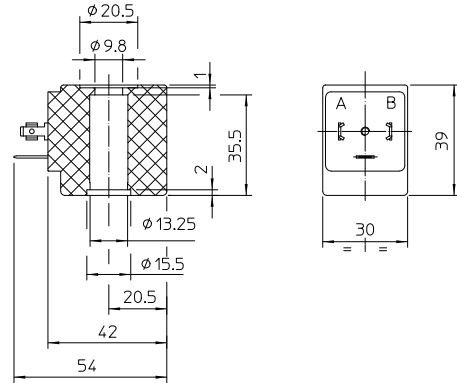
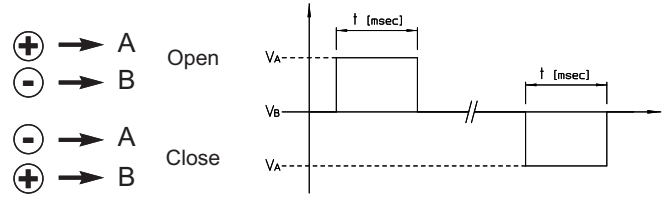
Electrical connections: With connector EN 175301-803 paragraph 5.3.1
Protection degree IP 65 EN 60529 (DIN 40050)

MOULDING AND BOBBIN ARE MADE BY 100% VIRGIN MATERIAL.

TECHNICAL OPERATING DATA:

- Impulse feed from 4,5 to 24 Volts for a period lasting from 20 to 100 ms.

NOTE: To ensure correct operation the fluid should be filtered to eliminate all traces of impurity subject to magnetic attraction, which would inevitably deposit on the cores of the solenoid valve, which are always magnetized, causing the formation of oxide as well as contact problem.



MATERIAL ON STOCK

Code	Power	Voltages
BDA1X004LS	1,5 W	V 4,5
BDA2X006LS	2,5 W	V 6
BDA05009LS	5 W	V 9
BDA1X006LS	1,5 W	V 6
BDA2X009LS	2,5 W	V 9
BDA05012LS	5 W	V 12
BDA1X009LS	1,5 W	V 9
BDA2X012LS	2,5 W	V 12
BDA10024LS	10 W	V 24
BDA1X012LS	1,5 W	V 12
BDA05024LS	5 W	V 24

**NOMINAL VOLTAGE
TOLERANCES::**

DC + 10% -5%

The "ODE" reserves the right to carry out technical and aesthetic modifications without prior notification.