



Coils

INDEX

APPROVALS

ALPHABETIC SERIES

POWER	5 W - 10 VA	7 W - 11,5 VA 12,5 VA - 13,5 VA	8 W - 14,5 VA	10 W	11 W - 15 VA 16 VA - 17 VA	12 W - 22 VA ED 50%	12 W - 23 VA 25 VA	14 W - 23 VA 26 VA - 27 VA						
Width	22 mm	22 mm	30 mm	22 mm	30 mm	28 mm	36 mm	52 mm						
BDA			CONNECTOR EN 175301-803						X					
BDF					CONNECTOR EN 175301-803				X			(2)		
BDV					CONNECTOR EN 175301-803				X					(1)
BSA			CABLES 100 cm						X					
BVA			CABLES 50 cm						X					
GDH								CONNECTOR EN 175301-803	X					
GDV								CONNECTOR EN 175301-803	X					(1)
ICA						FASTON DIN 46244								
LBA	CONNECTOR EN 175301-803								X					
LBF	CONNECTOR EN 175301-803								X		(3)			
LBV		CONNECTOR EN 175301-803		CONNECTOR EN 175301-803					X		(3)	(2)	(4)	(1)
TNA	See coils list								X	(5)				
UDA							CONNECTOR EN 175301-803		X					
UDV							CONNECTOR EN 175301-803		X			(2)		

ELECTRICAL CONNECTION

- (1) Available also with UL, CSA, VDE approval.
- (2) For some voltages UL, CSA approval available.
- (3) For some voltages UL approval available.

- (4) For some voltages VDE approval available.
- (5) Approval Ex mb II T 4

The "ODE" reserves the right to carry out technical and aesthetic modifications without prior notification.

Coils codes

DIMENSIONS:

- B** Width 30 - tube Ø 13
- G** Width 52 - tube Ø 13
- I** Width 28 - tube Ø 10
- L** Width 22 - tube Ø 10
- T** Width 36 - tube Ø 14,5
- U** Width 36 - tube Ø 13

ELECTRICAL CONNECTIONS:

- B** connector EN 175301-803 whellbase 11
- C** 2 faston DIN 46244
- D** connector EN 175301-803 paragraph 5.3.1
- N** 3 cables cm 300
- S** 2 cables cm 100
- V** 2 cables cm 50

MOLDING MATERIAL:

- A** PA - Black polyamide - class F (155°C)
- F** PPS - Black polyphenylensulphide - class H (180°C)
- H** EP - Black epoxy resin - class H (180°C)
- V** PET - Black Polyethylene - class H (180°C)

B D A 0 8 2 3 0 A S

APPROVALS:

- A** Explosion-proof
- S** Without approval
- U** UL approval
- V** VDE approval
- W** UL, CSA approval
- Y** UL, CSA, VDE approval

FREQUENCY:

- A** 50 Hz ED 100%
- B** 60 Hz ED 100%
- C** D.C. ED 100%
- D** 50/60 Hz ED 100%
- E** 50 Hz ED 50%
- H** D.C. ED 50%

POWER:

- 4X** 7,2 VA
- 0 5** 5 W - 7W
7,7 VA - 9,24 VA
10 VA - 11,5 VA
12,5 VA - 13,5 VA
- 5X** 9,13 VA
- 0 8** 8 W - 10W -
11W - 14,5 VA -
15 VA - 16 VA -
17 VA
- 10** 10,1 W
- 1 2** 12 W - 22 VA
23 VA - 25 VA
- 1 4** 14 W - 23 VA
26 VA - 27 VA

VOLTAGES:

- 0 1 2** 12 V
- 0 2 4** 24 V
- 1 1 0** 110 V
- 1 1 2** 110 -120 V
- 2 2 0** 220 V
- 2 2 3** 220-230 V
- 2 2 4** 220-240 V
- 2 3 0** 230 V
- 3 8 0** 380 V

NOMINAL VOLTAGE TOLERANCES:

- DC + 10% -5%
- AC + 10% -15%



COILS 22 mm x Ø 10 mm

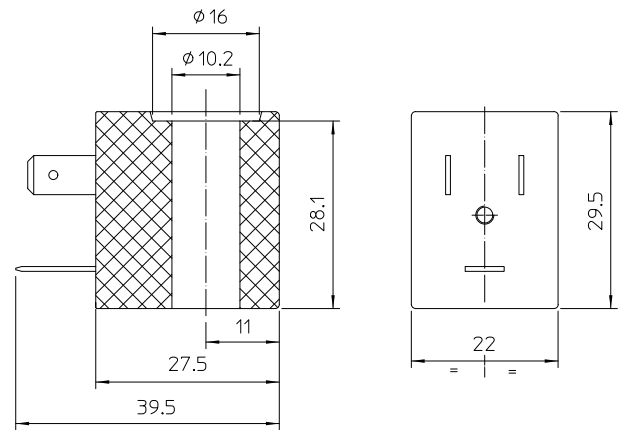
LBA05024AS
 ÷
LBV08024HU

COIL

LBA Molding material: PA - Black polyamide - class F (155°C)
LBF Molding material: PPS - Black poliphenylensulphide - class H (180°C)
LBV Molding material: PET - Black Polyethylene - class H (180°C)

Winding: In class H
Electrical connections: With connector EN 175301-803 whellbase 11
 Protection degree IP 65 EN 60529 (DIN 40050)

MOULDING AND BOBBIN ARE MADE BY 100% VIRGIN MATERIAL.



MATERIAL ON STOCK:

Code	Power	Voltages/Frequency	ED	Approvals
LBA05024AS	10 VA	24 ~ 50	100%	CE
LBA05024CS	5 W	24 ===	100%	CE
LBA05230AS	10 VA	230 ~ 50	100%	CE
LBF05024BU	10 VA	24 ~ 60	100%	CE - UL
LBV05024AV	11,5 VA	24 ~ 50	100%	CE - VDE
LBV05024BW	12,5 VA	24 ~ 60	100%	CE - UL - CSA
LBV05024CY	7 W	24 ===	100%	CE - UL - CSA - VDE
LBV05110AY	10 VA	110 ~ 50 120 ~ 60	100%	CE - UL - CSA - VDE
LBV05110BU	13,5 VA	110 ~ 60	100%	CE - UL
LBV05220BU	13,5 VA	220 ~ 60	100%	CE - UL
LBV05230AY	11,5 VA	230 ~ 50 240 ~ 60	100%	CE - UL - CSA - VDE
LBV08024HU	10 W	24 ===	50% (1)	CE - UL

NOMINAL VOLTAGE DC + 10% - 5%
TOLERANCES: AC +10% - 15%

(1) Standard cycle time 1 minute, for different requirements please contact our commercial offices. Other voltages and power absorptions available on demand and for quantities.

The "ODE" reserves the right to carry out technical and aesthetic modifications without prior notification.