



Solenoid valve 2/2 way N.C. With piston pilot control

4966K0Q120

PRESENTATION:

S.V. with pilot control for interception of fluids compatible of air and water.

A minimum operational pressure of 3 bar is required.

The materials used and the tests carried out ensure maximum reliability and duration.

USE: Automation

PIPES: G 1/2

COIL:

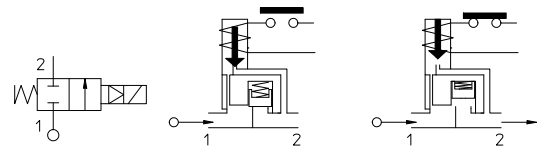
8W - Ø 13	
BDA -BDS - BSA	155°C (class F)
BDF - BDV	180°C (class H)
12W - Ø 13	
UDA	155°C (class F)
UDV	180°C (class H)

MOULDING AND BOBBIN ARE MADE BY 100% VIRGIN MATERIAL.

Max. allowable pressure (PS)	100 bar
Ambient temperature	
with coil class F	- 10°C + 60°C
with coil class H	- 10°C + 80°C



Gaskets	Temperature		Medium
	- 10°C	+90°C	
Q=PBT Glassfiber reinforced (Polibutilenterftalato)	- 10°C	+90°C	Air, water



Pipe ISO 228/1	Code	Max viscosity		Ø mm	Kv l/mn	Power (watt)	Pressure		
		cSt	°E				min bar	M.O.P.D.	
								AC bar	DC bar
G 1/2	4966K0Q120	12	~ 2	12	60	8	3	100	90
						12	3	100	100

Note.

Available on request and with minimum quantities.

The "ODE" reserves the right to carry out technical and aesthetic modifications without prior notification.

MATERIALS:

Body	Brass - UNI EN 12164 CW614N
Armature tube	Stainless steel AISI series 300
Fixed core	Stainless steel AISI series 400
Plunger	Stainless steel AISI series 400
Phase displacement ring	Copper - Cu 99,9%
Spring	Stainless steel AISI series 300
Piston Seal	PTFE modified
Main seal	Q=PBT
Orificie	Brass - UNI EN 12164 CW614N

On request:

Connector	Pg 9 o Pg 11
Connector conformity	ISO 4400

Electrical conformity

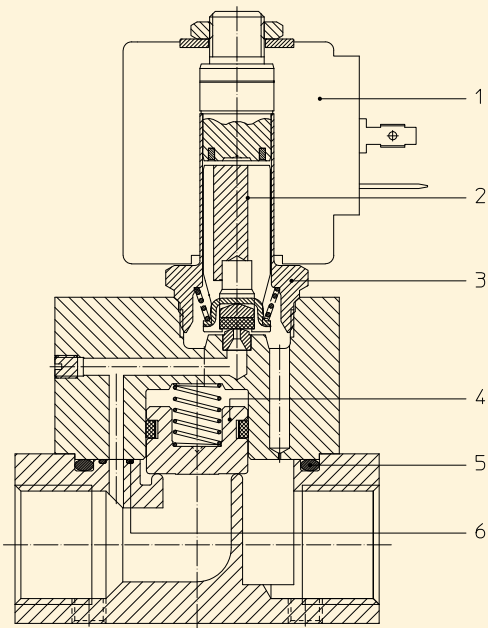
IEC 335

Protection degree

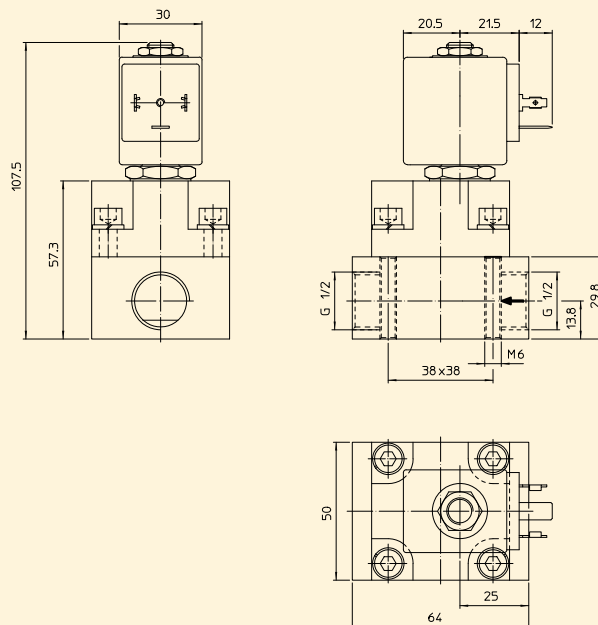
IP 65 EN 60529 (DIN 40050)
with coil fitted by connector.

SPARE PARTS:

- | | |
|---|----------------------------------|
| 1. Coil:
See coils list | KIT:
KT130K0C30-FP=2+3 |
| 2. Complete plunger:
Code R450897 | MAINTENANCE KIT: |
| 3. Complete armature tube:
Code R450606 | KTP4966K0Q12= 2+4+5+6 |
| 4. Complete piston:
Code R452744 | |
| 5. Gasket O-Ring:
Code R992130/B | |
| 6. Gasket O-Ring:
Code R990382/B | |



DIMENSIONS:





Solenoid valve 2/2 way N.O. With piston pilot control

4966Z0Q120D

PRESENTATION:

S.V. with pilot control for interception of fluids compatible of air and water.

A minimum operational pressure of 3 bar is required.

The materials used and the tests carried out ensure maximum reliability and duration.

USE: Automation

PIPES: G 1/2

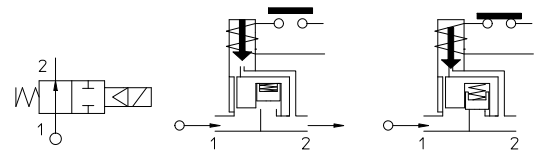
COIL: 8W - Ø 13
BDA -BDS - BSA 155°C (class F)
BDF - BDV 180°C (class H)

MOULDING AND BOBBIN ARE MADE BY 100% VIRGIN MATERIAL.

Max. allowable pressure (PS)	80 bar
Ambient temperature	
with coil class F	- 10°C + 60°C
with coil class H	- 10°C + 80°C



Gaskets	Temperature		Medium
	- 10°C	+90°C	
Q=PBT Glassfiber reinforced (Polibutilenterftalato)	- 10°C	+90°C	Air, water



Pipe ISO 228/1	Code	Max viscosity		Ø mm	Kv l/mn	Power (watt)	Pressure		
		cSt	°E				min bar	M.O.P.D.	
								AC bar	DC bar
G 1/2	4966Z0Q120D	12	~ 2	12	60	8	3	50	50

Note.

Available on request and with minimum quantities.

The "ODE" reserves the right to carry out technical and aesthetic modifications without prior notification.

MATERIALS:

Body	Brass - UNI EN 12164 CW614N
Armature tube	Stainless steel AISI series 300
Fixed core	Stainless steel AISI series 400
Plunger	Stainless steel AISI series 400
Phase displacement ring	Copper - Cu 99,9%
Spring	Stainless steel AISI series 300
Piston Seal	PTFE modified
Main seal	Q=PBT
Orificie	Brass - UNI EN 12164 CW614N

On request:

Connector	Pg 9 o Pg 11
Connector conformity	ISO 4400

Electrical conformity	IEC 335
Protection degree	IP 65 EN 60529 (DIN 40050) with coil fitted by connector.

SPARE PARTS:

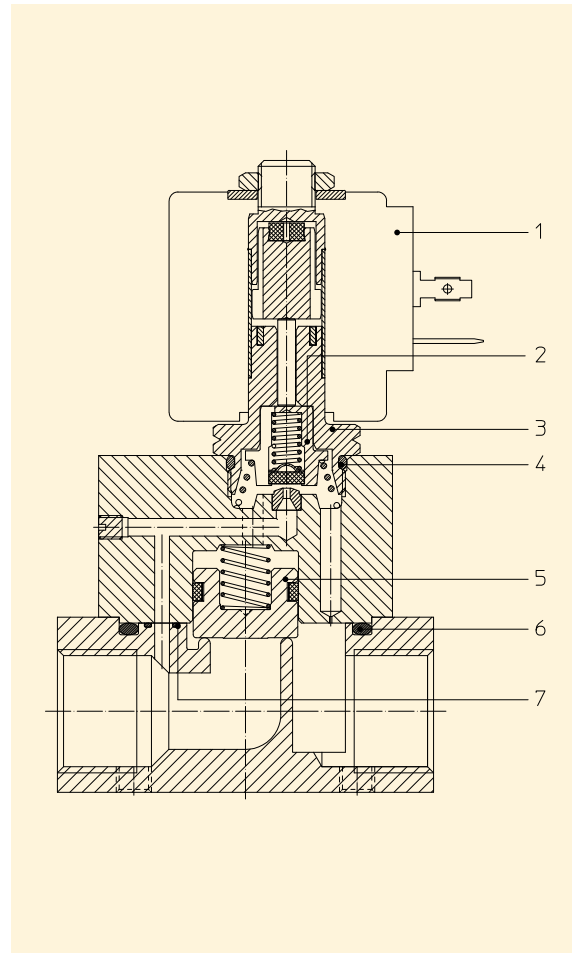
- | | |
|---|--|
| 1. Coil:
See coils list | 6. Gasket O-Ring:
Code R992130/V |
| 2. Complete diaphragm support:
Code R450790 | 7. Gasket O-Ring:
Code R990382/V |

KIT:

KT130ZT30-F=2+3+4

MAINTENANCE KIT:

KTP4966Z0Q12= 2+5+6+7



DIMENSIONS:

