



Solenoid valve 2/2 way N.C. With piston pilot control

4739MZU190

PRESENTATION:

S.V. with pilot control for interception of air and inert gas.
A minimum operational pressure of 1bar is required.
The materials used and the tests carried out ensure maximum reliability and duration of 10.000.000 cycles.

USE: Automation - Compressors

PIPES: subplate mounting

COILS: 14W - Ø 13
GDH - GDV 180°C (class H)

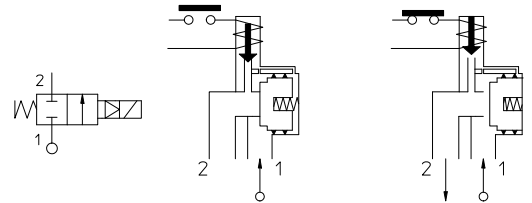
MOULDING AND BOBBIN ARE MADE BY 100% VIRGIN MATERIAL.

Max. allowable pressure (PS) 50 bar
Ambient temperature - 10°C + 80°C



Special item-not standard

Gaskets	Temperature		Medium
POM C=Acetalic resin	- 10°C	+100°C	Air, inert gas



Pipe	Code	Max viscosity		Ø mm	Kv l/mn	Power (watt)	Pressure		
		cSt	°E				min bar	M.O.P.D. AC bar DC bar	
SUBPLATE MOUNTING	4739MZU190	-	-	19	-	14	1	-	50
Maximum allowed drop at 1 bar									

Note

Available on request and with minimum quantities.

The "ODE" reserves the right to carry out technical and aesthetic modifications without prior notification.

MATERIALS:

Body	Brass - UNI EN 12164 CW614N
Armature tube	Stainless steel AISI series 300
Fixed core	Stainless steel AISI series 400
Plunger	Stainless steel AISI series 400
Piston	POM C
Springs	Stainless steel AISI series 300
Piston ring	Modified PTFE
Main seal	POM C=Acetalic resin
Pilot seal	TPU=Polyurethane resin
O-Ring	NBR
Orifice	Brass - UNI EN 12164 CW614N

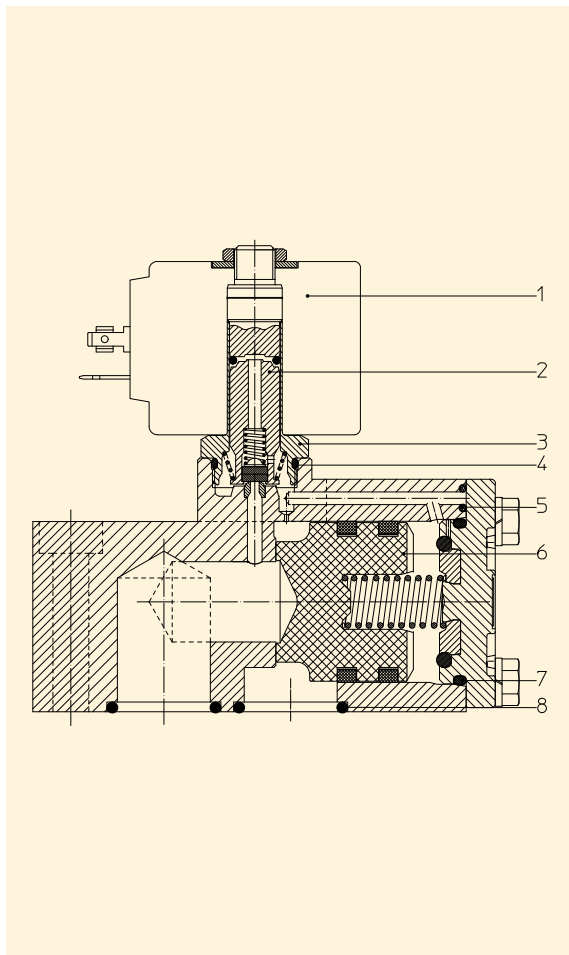
On request:
Connector Pg 9 o Pg 11
Connector conformity ISO 4400

FEATURES:

Electrical conformity IEC 335
Protection degree IP 65 EN 60529 (DIN 40050)
with coil fitted by connector.

SPARE PARTS:

- | | |
|---|--|
| 1. Coil:
See coils list | 6. Complete piston:
Code R452443 |
| 2. Complete plunger:
Code R452450 | 7. O-Ring:
Code R992070/B |
| 3. Complete armature tube:
Code R452451 | 8. O-Ring:
Code R990312/B |
| 4. O-Ring:
Code R990000/B | |
| 5. O-Ring:
Code R990003/B | |



DIMENSIONS:

