



Solenoid valve 2/2 way N.C. With piston pilot control

4592MZU190

PRESENTATION:

S.V. with pilot control for interception of air and inert gas.
A minimum operational pressure of 1bar is required.
The materials used and the tests carried out ensure maximum reliability and duration of 10.000.000 cycles.

USE: Automation - Compressors

PIPE: G 3/4

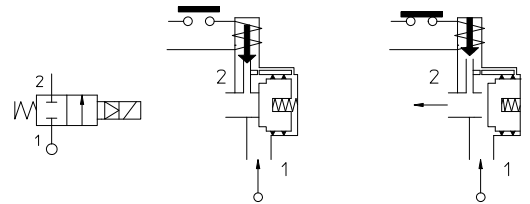
COILS: 14W - Ø 13
GDH 180°C (class H)

MOULDING AND BOBBIN ARE MADE BY 100% VIRGIN MATERIAL.

Max. allowable pressure (PS) 50 bar
Ambient temperature - 10°C + 80°C



Gaskets	Temperature		Medium
POM C=Acetalic resin	- 10°C	+ 100°C	Air, inert gas

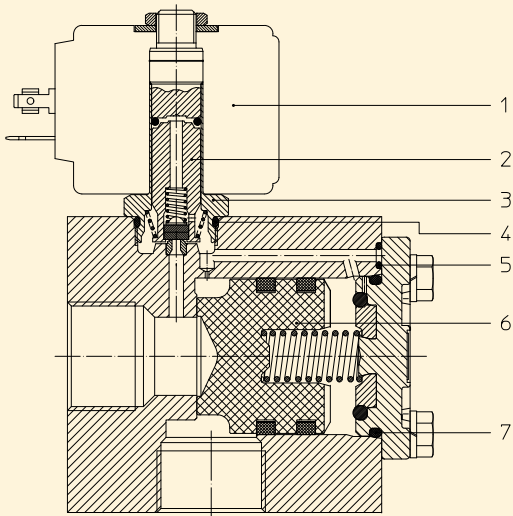


Pipe ISO 228/1	Code	Max viscosity		Ø mm	Kv l/mn	Power (watt)	Pressure		
		cSt	°E				min bar	M.O.P.D. AC bar DC bar	
G 3/4	4592MZU190	-	-	19	110	14	1	-	50
Maximum allowed drop at 1 bar									

Note

Available on request and with minimum quantities.

The "ODE" reserves the right to carry out technical and aesthetic modifications without prior notification.



MATERIALS:

Body	Brass - UNI EN 12164 CW614N
Armature tube	Stainless steel AISI series 300
Fixed core	Stainless steel AISI series 400
Plunger	Stainless steel AISI series 400
Piston	POM C
Springs	Stainless steel AISI series 300
Piston ring	Modified PTFE
Main seal	POM C=Acetalic resin
Pilot seal	TPU=Polyurethane resin
O-Ring	NBR
Orifice	Brass - UNI EN 12164 CW614N

On request:

Connector	Pg 9 o Pg 11
Connector conformity	ISO 4400

FEATURES:

Electrical conformity	IEC 335
Protection degree	IP 65 EN 60529 (DIN 40050) with coil fitted by connector.

SPARE PARTS:

1. Coil: See coils list	6. Complete piston: Code R452443
2. Complete plunger: Code R452450	7. O-Ring: Code R992070/B
3. Complete armature tube: Code R452451	
4. O-Ring: Code R990000/B	
5. O-Ring: Code R990003/B	

DIMENSIONS:

