



# Solenoid valve 2/2 way N.C. With pilot control Explosion proof - Ex mb II T 4

21WA3QDV130  
÷  
21WA4QDV130

## PRESENTATION:

S.V. with pilot control for interception of fluids compatible with the construction materials.

A minimum operational pressure of 0,2 bar is required.

The materials used and the tests carried out ensure maximum reliability and duration.

**USE:** Potentially explosive atmospheres

**PIPES:** G 3/8 - G 1/2

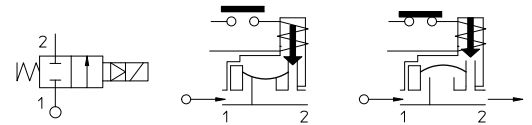
**COIL:** Series TNA - Ø 14,5  
(For characteristic see catalogue page)

Max. allowable pressure (PS) 25 bar  
Ambient temperature: - 20°C + 50°C  
Temperature max. medium + 80°C



Gaskets	Temperature		Medium
V=FKM (fluoroelastomer)	- 10°C	+ 80°C	Mineral oils (2°E), gasoline gas oil
F=H-NBR (hydrogenated nitrile)	- 20°C	+ 80°C	Air, inert gas, water R 134a, R 404a

For seals other than FKM replace the letter "V" with the ones corresponding to the other seals. E.I. 21WA3QDF130.



Pipe ISO 228/1	Code	Max viscosity		Ø mm	Kv l/mn	Power (watt)	Pressure		
		cSt	°E				min bar	M.O.P.D. AC bar DC bar	
G 3/8	21WA3QDV130	12	~ 2	13	60	(See TNA coils catalogue page)	0,2	16	16
G 1/2	21WA4QDV130				70				

( ATEX/ITA/09/063  
According to Directive 94/9/CE ATEX )



The "ODE" reserves the right to carry out technical and aesthetic modifications without prior notification.

### MATERIALS:

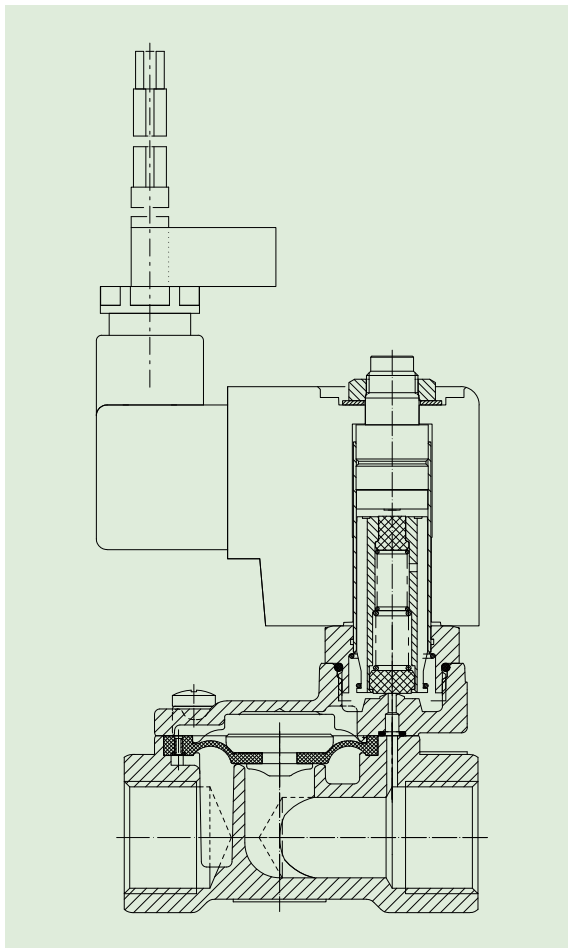
<b>Body</b>	Brass - UNI EN 12165 CW617N
<b>Armature tube</b>	Stainless steel AISI series 300
<b>Fixed core</b>	Stainless steel AISI series 400
<b>Plunger</b>	Stainless steel AISI series 400
<b>Phase displacement ring</b>	Copper - Cu 99,9%
<b>Spring</b>	Stainless steel AISI series 300
<b>Seal</b>	Standard: V=FKM On request: F=H-NBR
<b>Orifice</b>	Brass - UNI EN 12165 CW617N

### FEATURES:

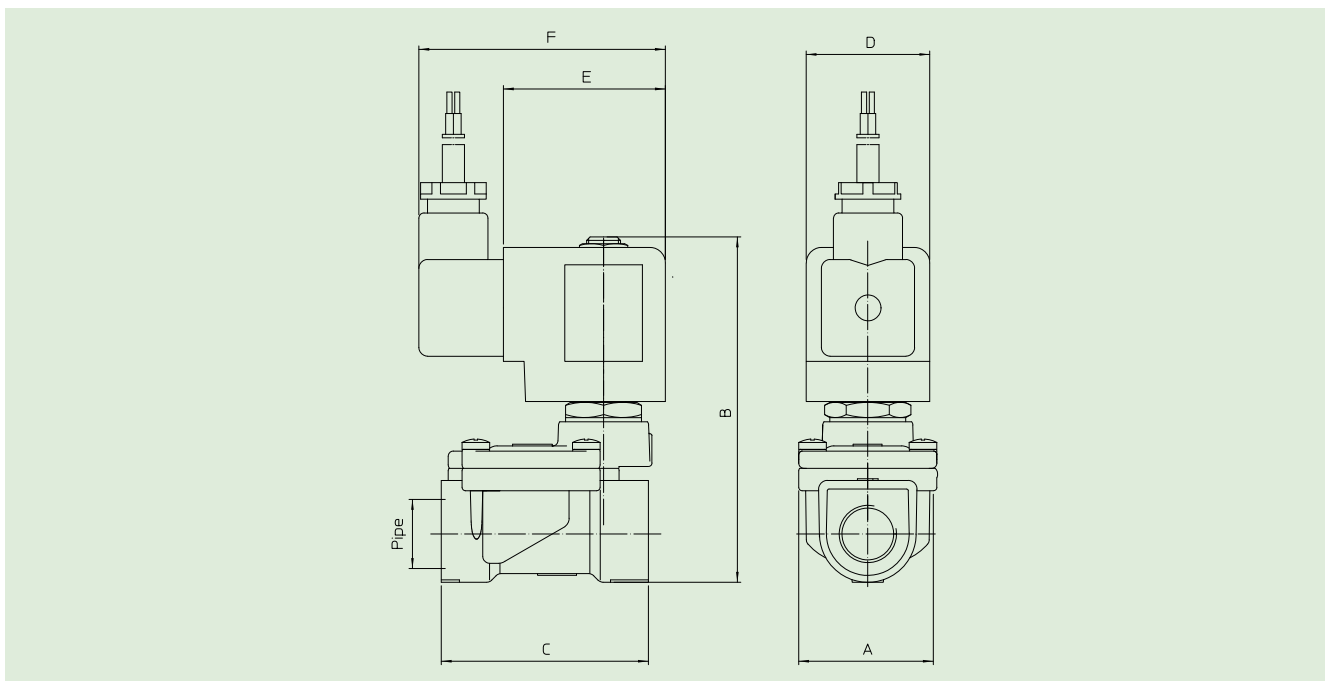
<b>Protection degree</b>	IP 65 EN 60529 (DIN 40050)
--------------------------	----------------------------

### SPARE PARTS:

These articles cannot be supplied  
as spare part according to Directive 94/9/CE ATEX



### DIMENSIONS:



Type	Pipe ISO 228/1	A mm	B mm	C mm
21WA3QDV130	G 3/8	40	103	60
21WA4QDV130	G 1/2			66

COIL TYPE	DIMENSIONS		
	D mm	E mm	F mm
T	36	47	81



**Solenoid valve 2/2 way N.C.  
With pilot control  
Explosion proof - Ex m II T 4**

21W3QDV190  
÷  
21W7QDV500

**PRESENTATION:**

S.V. with pilot control for interception of fluids compatible with the construction materials.

A minimum operational pressure of 0,2 bar is required.

The materials used and the tests carried out ensure maximum reliability and duration.

**USE:** Potentially explosive atmospheres

**PIPES:** G 3/4 - G 2

**COIL:** Series TNA - Ø 14,5  
(For characteristic see catalogue page)

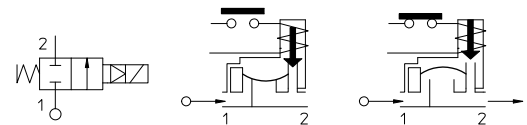


Max. allowable pressure (PS)

G 3/4 - G 1	25 bar
G 1 1/4 - G 2	16 bar
Ambient temperature:	- 20°C + 50°C
Temperature max. medium	+ 80°C

Gaskets	Temperature		Medium
	- 10°C	+ 80°C	
V=FKM (fluoroelastomer)	- 10°C	+ 80°C	Mineral oils (2°E), gasoline gas oil
F=H-NBR (hydrogenated nitrile)	- 20°C	+ 80°C	Air, inert gas, water R 134a, R 404a

For seals other than FKM replace the letter "V" with the ones corresponding to the other seals. E.I. 21W3QDF190.



Pipe ISO 228/1	Code	Max viscosity		Ø mm	Kv l/mn	Power (watt)	Pressure		
		cSt	°E				min bar	M.O.P.D.	
								AC bar	DC bar
G 3/4	21W3QDV190	12	~ 2	19	140	0,2	16	16	
G 1	21W4QDV250			25	190				
G 1 1/4	21W5QDV350			35	400		10	10	
G 1 1/2	21W6QDV400			40	520				
G 2	21W7QDV500			50	750				

(See TNA coils catalogue page)



( ATEX/ITA/09/063  
According to Directive 94/9/CE ATEX )



**CE Approval**  
(Pressure Equipment Directive 97/23/CE)  
for S.V. 21W5÷21W7

The "ODE" reserves the right to carry out technical and aesthetic modifications without prior notification.

### MATERIALS:

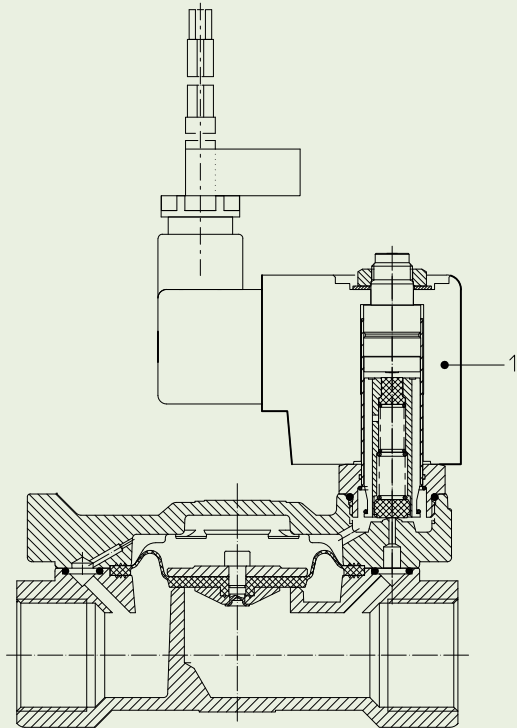
<b>Body</b>	Brass - UNI EN 12165 CW617N
<b>Armature tube</b>	Stainless steel AISI series 300
<b>Fixed core</b>	Stainless steel AISI series 400
<b>Plunger</b>	Stainless steel AISI series 400
<b>Phase displacement ring</b>	Copper - Cu 99,9%
<b>Spring</b>	Stainless steel AISI series 300
<b>Seal</b>	Standard: V=FKM On request: F=H-NBR
<b>Orifice</b>	Brass - UNI EN 12165 CW617N

### FEATURES:

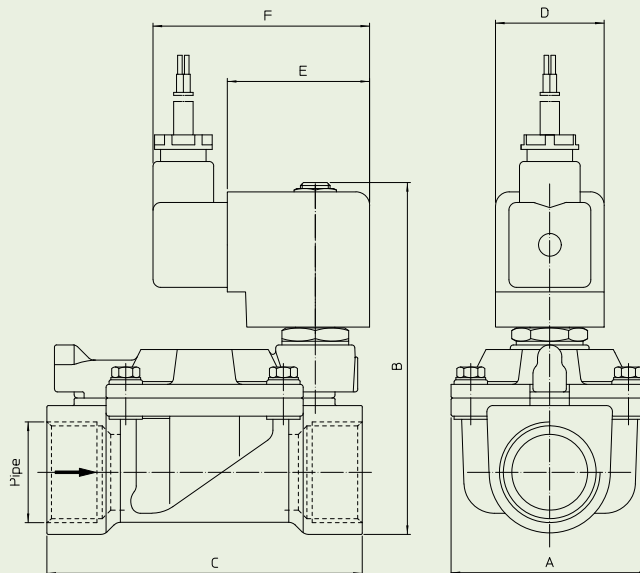
<b>Protection degree</b>	IP 65 EN 60529 (DIN 40050)
--------------------------	----------------------------

### SPARE PARTS:

- Coil:**  
See coils list



### DIMENSIONS:



Type	Pipe ISO 228/1	A mm	B mm	C mm
21W3QDV190	G 3/4	65	111	104
21W4QDV250	G 1		118	
21W5QDV350	G 1 1/4	98	131	144
21W6QDV400	G 1 1/2			
21W7QDV500	G 2	118	147	172

COIL TYPE	DIMENSIONS		
	D mm	E mm	F mm
T	36	47	81