



Solenoid valve 2/2 way N.C. With piston pilot control

21PW3K0T120

÷

21PW4K0T120

PRESENTATION:

S.V. with pilot control for interception of fluids compatible with the construction materials.

A minimum operational pressure of 0,5 bar is required.

The materials used and the tests carried out ensure maximum reliability and duration.

These solenoid valves are not suitable for stagnating fluids, or for fluids that being subject to evaporation may deposit solid, calcareous or similar residues.

USE: Automation, Compressors
Heating

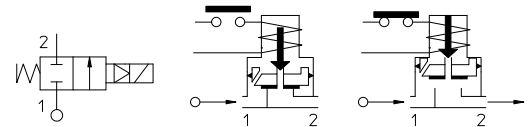
PIPES: G 3/8 - G 1/2

COILS: 8W - Ø 13 (1)
BDA - BDS - BSA 155°C (class F)
BDF - BDV 180°C (class H)
12W - Ø 13
UDA 155°C (class F)
14W - Ø 13
GDH - GDV 180°C (class H)
(1) Explosion-proof housing for coils with electrical connections EN 175301-803 on request.



MOULDING AND BOBBIN ARE MADE BY 100% VIRGIN MATERIAL.

Max. allowable pressure (PS) 25 bar
Working temperatures - 10°C + 140°C



Gaskets	Temperature	Medium
T=PTFE (polytetrafluorethylen)	- 10°C + 180°C	Air, inert gas, water

Pipe ISO 228/1	Code	Max viscosity		Ø mm	Kv l/mn	Power (watt)	Pressure		
		cSt	°E				min bar	M.O.P.D.	
							AC bar	DC bar	
G 3/8	21PW3K0T120	12	~ 2	12	32	8	0,5	18	-
						12		20	15
						14			
G 1/2	21PW4K0T120	12	~ 2	12	38	8	0,5	18	-
						12		20	15
						14			

The "ODE" reserves the right to carry out technical and aesthetic modifications without prior notification.

MATERIALS:

Body Brass - UNI EN 12165 CW617N
Welded armature tube Brass - UNI EN 12165 CW617N +
 Stainless steel AISI series 300
Fixed core Stainless steel AISI series 400
Plunger Stainless steel AISI series 400
Phase displacement ring Copper - Cu 99,9%
Spring Stainless steel AISI series 300
Piston Stainless steel AISI series 300 +
 Tecnopolimero
Piston seal V=FKM
Seal T=PTFE
Orifice Brass - UNI EN 12165 CW617N

On request:
Connector Pg 9 or Pg 11
Connector conformity ISO 4400

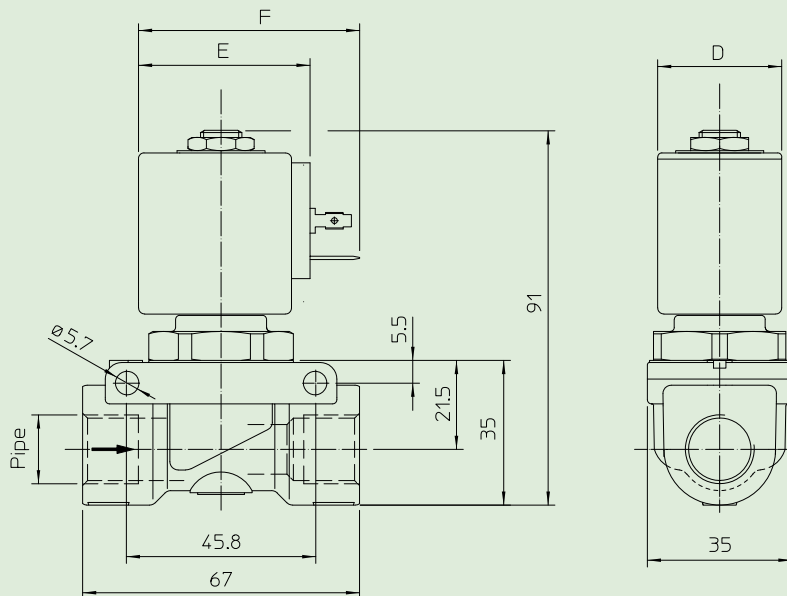
FEATURES:

Electrical conformity IEC 335
Protection degree IP 65 EN 60529 (DIN 40050)
 with coil fitted by connector.

SPARE PARTS:

- 1. Coil:**
See coils list
- 2. Complete plunger:**
Code R450820/V
- 3. Complete armature tube:**
Code R452153
- 4. Gasket O-Ring:**
Code R990478/V
- 5. Spring:**
Code R450783
- 6. Complete piston:**
Code R452230

DIMENSIONS:



Type	Type ISO 228/1
21PW3K0T120	G 3/8
21PW4K0T120	G 1/2

COIL TYPE	POWER ABSORPTION			DIMENSIONS		
	W =	Hold VA ~	Inrush VA ~	D mm	E mm	F mm
B	8	14,5	25	30	42	54
U	12	23	35	36	48	60
G	14	27	43	52	55	67



Solenoid valve 2/2 way N.C. With piston pilot control

21PW3K0V120

÷

21PW4K0V120

PRESENTATION:

S.V. with pilot control for interception of fluids compatible with the construction materials.

A minimum operational pressure of 0,3 bar is required.

The materials used and the tests carried out ensure maximum reliability and duration.

These solenoid valves are not suitable for stagnating fluids, or for fluids that being subject to evaporation may deposit solid, calcareous or similar residues.

USE: Automation, Compressors
Heating

PIPES: G 3/8 - G 1/2

COILS: 8W - Ø 13 (1)
BDA - BDS - BSA 155°C (class F)
BDF - BDV 180°C (class H)
12W - Ø 13
UDA 155°C (class F)
14W - Ø 13
GDH - GDV 180°C (class H)
(1) Explosion-proof housing for coils with electrical connections EN 175301-803 on request.



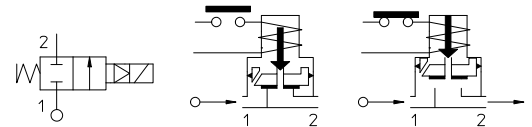
MOULDING AND BOBBIN ARE MADE BY 100% VIRGIN MATERIAL.

Max. allowable pressure (PS) 25 bar

Ambient temperature:

with coils class **F** - 10°C + 60°C

with coils class **H** - 10°C + 80°C



Gaskets	Temperature		Medium
V=FKM (fluoroelastomer)	- 10°C	+ 140°C	Air, inert gas, water

Pipe ISO 228/1	Code	Max viscosity		Ø mm	Kv l/mn	Power (watt)	Pressure			
		cSt	°E				min bar	M.O.P.D. AC bar DC bar		
G 3/8	21PW3K0V120	12	~ 2	12	32	8	0,3	15	-	
						12			-	
						14			10	
G 1/2	21PW4K0V120	12	~ 2	12	38	8	0,3	15	-	
						12			-	
						14			10	

The "ODE" reserves the right to carry out technical and aesthetic modifications without prior notification.

MATERIALS:

Body	Brass - UNI EN 12165 CW617N
Welded armature tube	Brass - UNI EN 12165 CW617N+
Fixed core	Stainless steel AISI series 300
Plunger	Stainless steel AISI series 400
Phase displacement ring	Stainless steel AISI series 400
Spring	Copper - Cu 99,9%
Piston	Stainless steel AISI series 300
Piston seal	Tecnopolimero
Seal	V=FKM
Orifice	V=FKM
	Brass - UNI EN 12165 CW617N

On request:

Connector	Pg 9 or Pg 11
Connector conformity	ISO 4400

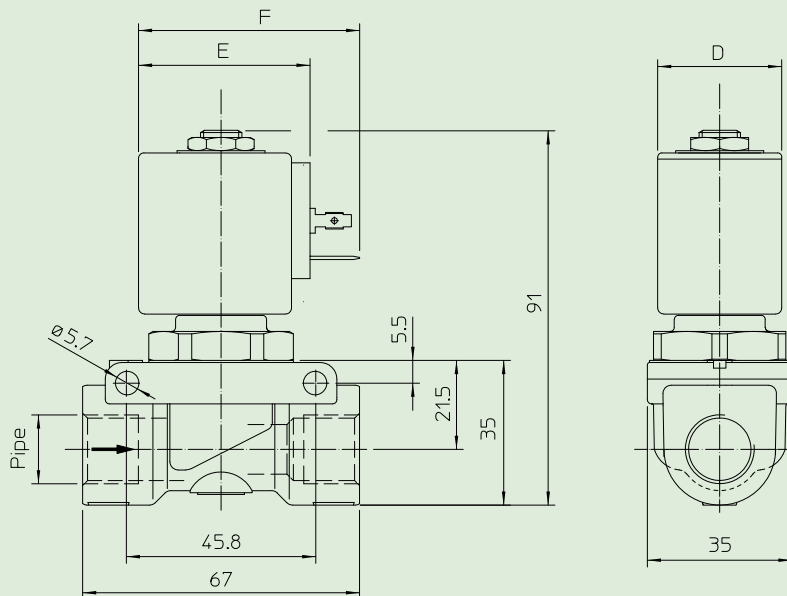
FEATURES:

Electrical conformity	IEC 335
Protection degree	IP 65 EN 60529 (DIN 40050) with coil fitted by connector.

SPARE PARTS:

- 1. Coil:**
See coils list
- 2. Complete plunger:**
Code R450820/V
- 3. Complete armature tube:**
Code R452153
- 4. Gasket O-Ring:**
Code R990478/V
- 5. Spring:**
Code R452151
- 6. Complete piston:**
Code R452149/V

DIMENSIONS:



Type	Pipe ISO 228/1
21PW3K0V120	G 3/8
21PW4K0V120	G 1/2

COIL TYPE	POWER ABSORPTION			DIMENSIONS		
	W =	Hold VA ~	Inrush VA ~	D mm	E mm	F mm
B	8	14,5	25	30	42	54
U	12	23	35	36	48	60
G	14	27	43	52	55	67



Solenoid valve 2/2 way N.O. With piston pilot controle

21PW3F0T120

÷

21PW4F0T120

PRESENTATION:

S.V. with pilot control for interception of fluids compatible with the construction materials.

A minimum operational pressure of 0,5 bar is required.

The materials used and the tests undertaken ensure maximum reliability and duration.

These solenoid valves are not suitable for stagnating fluids, or for fluids that being subject to evaporation may deposit solid, calcareous or similar residues.

USE: Automation, Compressors
Heating

PIPES: G 3/8 - G 1/2

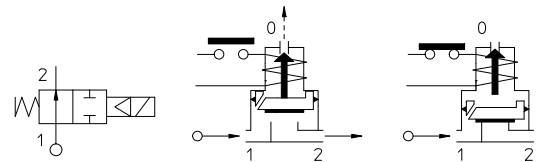
COILS: 8W - Ø 13
BDA - BDS - BSA 155°C (class F)
BDF - BDV 180°C (class H)

MOULDING AND BOBBIN ARE MADE BY 100% VIRGIN MATERIAL.

Max. allowable pressure (PS) 25 bar
Working temperatures - 10°C + 140°C



Gaskets	Temperature	Medium
T=PTFE (polytetrafluorethylen)	- 10°C + 180°C	Air, inert gas, water



Pipe ISO 228/1	Code	Max viscosity		Ø mm	Kv l/mn	Power (watt)	Pressure		
		cSt	°E				min bar	M.O.P.D.	
								AC bar	DC bar
G 3/8	21PW3F0T120	12	~ 2	12	32	8	0,5	18	18
G 1/2	21PW4F0T120				38				

The "ODE" reserves the right to carry out technical and aesthetic modifications without prior notification.

MATERIALS:

Body	Brass - UNI EN 12165 CW617N
Welded armature tube	Brass - UNI EN 12165 CW617N + Stainless steel AISI series 300
Fixed core	Stainless steel AISI series 400
Plunger	Stainless steel AISI series 400
Phase displacement ring	Copper - Cu 99,9%
Spring	Stainless steel AISI series 300
Piston	Stainless steel AISI series 300 + Tecnopolimero
Piston seal	V=FKM
Seal	T=PTFE
Orifice	Brass - UNI EN 12165 CW617N
On request:	
Connector	Pg 9 or Pg 11
Connector conformity	ISO 4400

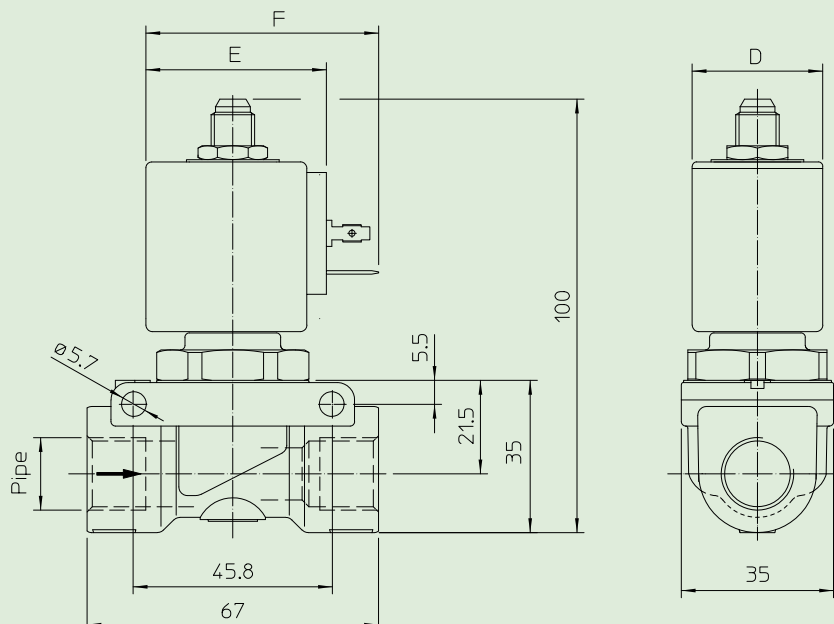
FEATURES:

Electrical conformity	IEC 335
Protection degree	IP 65 EN 60529 (DIN 40050) with coil fitted by connector

SPARE PARTS:

- 1. Coil:**
See coils list
- 2. Complete plunger:**
Code R450782/V
- 3. Complete armature tube:**
Code R452154
- 4. Gasket O-Ring:**
Code R990478/V
- 5. Spring:**
Code R450783
- 6. Complete piston:**
Code R452231

DIMENSIONS:



Type	Pipe ISO 228/1
21PW3F0T120	G 3/8
21PW4F0T120	G 1/2

COIL TYPE	POWER ABSORPTION			DIMENSIONS		
	W ==	Hold VA ~	Inrush VA ~	D mm	E mm	F mm
B	8	14,5	25	30	42	54



Solenoid valve 2/2 way N.O. With piston pilot control

21PW3F0V120

÷

21PW4F0V120

PRESENTATION:

S.V. with pilot control for interception of fluids compatible with the construction materials.

A minimum operational pressure of 0,3 bar is required.

The materials used and the tests undertaken ensure maximum reliability and duration.

These solenoid valves are not suitable for stagnating fluids, or for fluids that being subject to evaporation may deposit solid, calcareous or similar residues.

USE: Automation, Compressors
Heating

PIPES: G 3/8 - G 1/2

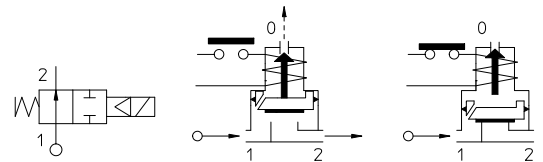
COILS: 8W - Ø 13
BDA - BDS - BSA 155°C (class F)
BDF - BDV 180°C (class H)

MOULDING AND BOBBIN ARE MADE BY 100% VIRGIN MATERIAL.

Max. allowable pressure (PS) 25 bar
Ambient temperature:
with coil class **F** - 10°C + 60°C
with coil class **H** - 10°C + 80°C



Gaskets	Temperature	Medium
V=FKM (fluoroelastomer)	- 10°C + 140°C	Air, inert gas, water



Pipe ISO 228/1	Code	Max viscosity		Ø mm	Kv l/mn	Power (watt)	Pressure		
		cSt	°E				min bar	M.O.P.D. AC bar DC bar	
G 3/8	21PW3F0V120	12	~ 2	12	32	8	0,3	15	15
G 1/2	21PW4F0V120				38				

The "ODE" reserves the right to carry out technical and aesthetic modifications without prior notification.

MATERIALS

Body	Brass - UNI EN 12165 CW617N
Welded armature tube	Brass - UNI EN 12165 CW617N + Stainless steel AISI series 300
Fixed core	Stainless steel AISI series 400
Plunger	Stainless steel AISI series 400
Phase displacement ring	Copper - Cu 99,9%
Spring	Stainless steel AISI series 300
Piston	Tecnopolimero
Piston seal	V=FKM
Seal	V=FKM
Orifice	Brass - UNI EN 12165 CW617N

On request:

Connector	Pg 9 or Pg 11
Connector conformity	ISO 4400

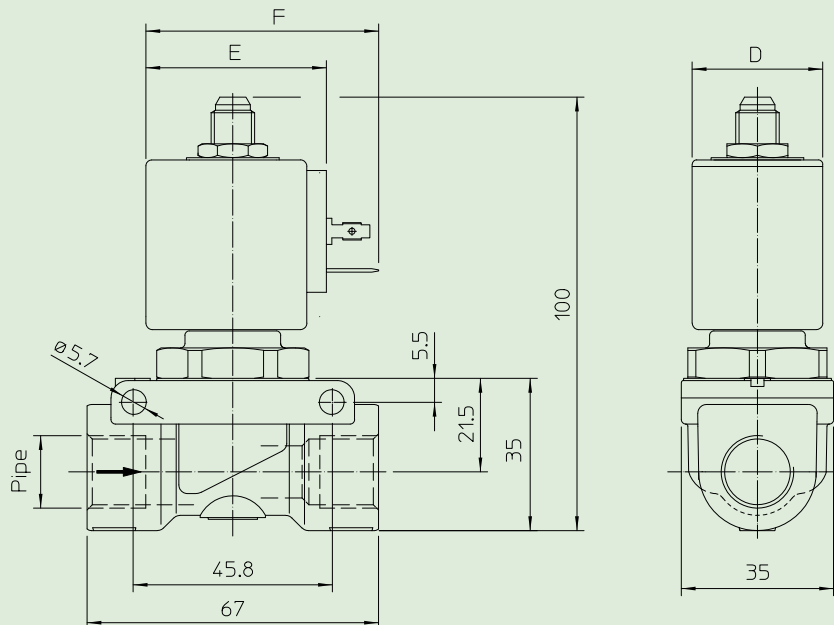
FEATURES:

Electrical conformity	IEC 335
Protection degree	IP 65 EN 60529 (DIN 40050) with coil fitted by connector.

SPARE PARTS:

- Coil:**
See coils list
- Complete plunger:**
Code R450782/V
- Complete armature tube:**
Code R452154
- Gasket O-Ring:**
Code R990478/V
- Spring:**
Code R452151
- Complete piston:**
Code R452150/V

DIMENSIONS:



Type	Pipe ISO 228/1
21PW3F0V120	G 3/8
21PW4F0V120	G 1/2

COIL TYPE	POWER ABSORPTION			DIMENSIONS		
	W ---	Hold VA ~	Inrush VA ~	D mm	E mm	F mm
B	8	14,5	25	30	42	54