



**Valve 2/2 way - high angle pressure seat/process valve N.C. - Flow direction below the seat - pneumatically operated - with electrical position indicators**

**21IA4T15GC2-HIP1 ÷ 21IA9T50GC2-HIP1**

**PRESENTATION:**

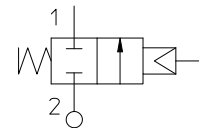
- High flow rate due to the angle seat configuration.
- Anti-water hammer feature with the fluid entry below the seat.
- Electrical operation is easy with the addition of a solenoid pilot.
- Stainless steel body and corrosion resistant actuator.
- The pneumatic actuator can be rotated through 360 degrees.
- Optical position indicator.
- Internal seals are self adjusting for long life.
- Easily convertible from N.C. to N.O. or double acting.
- Universal mounting - any mounting orientation is acceptable.

**USE:** Automation, Heating, Water, Hot water, Steam (180°C), Aggressive and food fluids

**PIPES:** G 1/2 - G 2

**VALVE FEATURES:**

Fluid Temperature - 10°C + 180°C  
 Ambient temperature - 10°C + 60°C  
 Material Stainless steel AISI series 316  
 Seal PTFE  
 Packing gland PTFE, FKM



**PILOT ACTUATOR FEATURES:**

Fluid Dry Air or lubricated, gas and neutral fluids  
 Fluid Temperature max + 60°C  
 Body Polyamide 66 with 30% glass fibre  
 Gaskets NBR  
 Actuator Ø 70

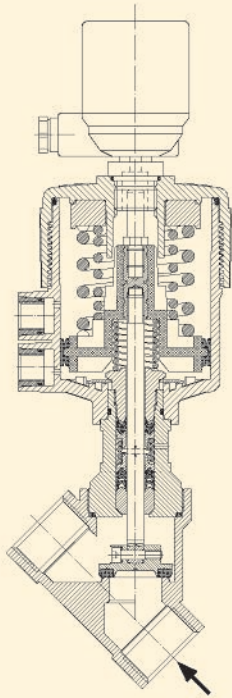
Pipe ISO 228/1	Code	Ø mm	Kv l/mn	Actuator pilot pressure (bar)		Differential pressure (bar)		Max. allowable pressure PS (bar)	Weight Kg
				min	max	min	max		
G 1/2	21IA4T15GC2-HIP1	15	80	4	10	0	35	40	1,4
G 3/4	21IA5T20GC2-HIP1	20	150				25		1,5
G 1	21IA6T25GC2-HIP1	25	190				20		1,8
G 1 1/4	21IA7T32GC2-HIP1	32	340				13	25	2,4
G 1 1/2	21IA8T40GC2-HIP1	40	430				8		2,7
G 2	21IA9T50GC2-HIP1	50	620				5,5	16	3,9



**CE Approval**  
 (Pressure Equipment Directive 97/23/CE)  
 for Valve 21IA7 ÷ 21IA9

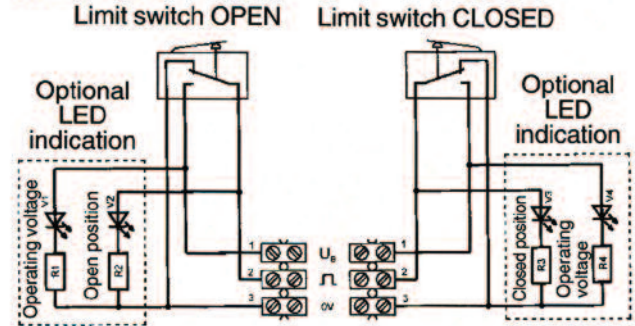
**Note**  
 Available on request pilot S.V. 31A2AV20+BDA (see catalogue page)  
 Together with male thread nipple male G 1/4 - G 1/4  
 Material compatibility with the fluids to be checked.

The "ODE" reserves the right to carry out technical and aesthetic modifications without prior notification.



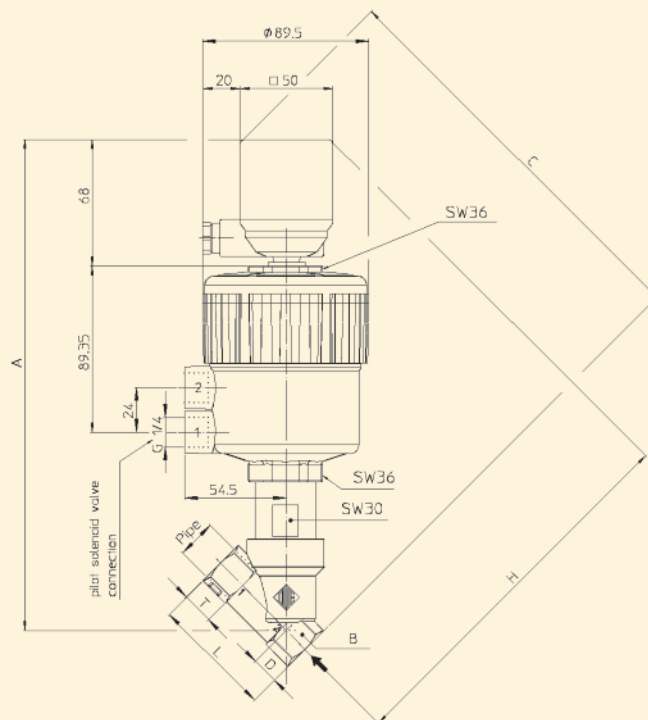
### Connection diagram

$U_B$  = Operating voltage  
 = Signal output  
 0V = Gnd, 0V



### DIMENSIONS:

Pipe ISO 228/1	A mm	B mm	C mm	D mm	H mm	L mm	T mm
G 1/2	206,8	SW 27	178,7	15,4	163,3	65	17
G 3/4	211,7	SW 32	188,6	21,9	166,7	75,5	19
G 1	220,1	SW 41	197,8	25,1	172,7	90	21
G 1 1/4	235,9	SW 50	212,3	28,5	183,8	110	24
G 1 1/2	238,9	SW 55	217,0	31,0	186	122	25,2
G 2	247,8	SW 70	229,7	37,5	192,2	151	28,5





**Valve 2/2 way - high angle pressure seat/process valve N.C. - Flow direction below the seat - pneumatically operated - with electrical position indicators**

**21IA4T15NC2-HIP1  
÷  
21IA9T50NC2-HIP1**

**PRESENTATION:**

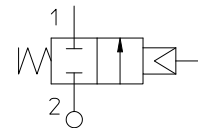
- High flow rate due to the angle seat configuration.
- Anti-water hammer feature with the fluid entry below the seat.
- Electrical operation is easy with the addition of a solenoid pilot.
- Stainless steel body and corrosion resistant actuator.
- The pneumatic actuator can be rotated through 360 degrees.
- Optical position indicator.
- Internal seals are self adjusting for long life.
- Easily convertible from N.C. to N.O. or double acting.
- Universal mounting - any mounting orientation is acceptable.

**USE:** Automation, Heating, Water, Hot water, Steam (180°C), Aggressive and food fluids

**PIPES:** 1/2 NPT - 2 NPT

**VALVE FEATURES:**

Fluid Temperature - 10°C + 180°C  
 Ambient temperature - 10°C + 60°C  
 Material Stainless steel AISI series 316  
 Seal PTFE  
 Packing gland PTFE, FKM



**PILOT ACTUATOR FEATURES:**

Fluid Dry Air or lubricated, gas and neutral fluids  
 Fluid Temperature max + 60°C  
 Body Polyamide 66 with 30% glass fibre  
 Gaskets NBR  
 Actuator Ø 70

Pipe ANSI/ASME BI.20.1	Code	Ø mm	Kv l/mn	Actuator pilot pressure (bar)		Differential pressure (bar)		Max. allowable pressure PS (bar)	Weight Kg
				min	max	min	max		
1/2 NPT	21IA4T15NC2-HIP1	15	80	5	10	0	35	40	1,4
3/4 NPT	21IA5T20NC2-HIP1	20	150				25		1,5
1 NPT	21IA6T25NC2-HIP1	25	190				20		1,8
1 1/4 NPT	21IA7T32NC2-HIP1	32	340				13	25	2,4
1 1/2 NPT	21IA8T40NC2-HIP1	40	430				8		2,7
2 NPT	21IA9T50NC2-HIP1	50	620				5,5	16	3,9



**CE Approval**

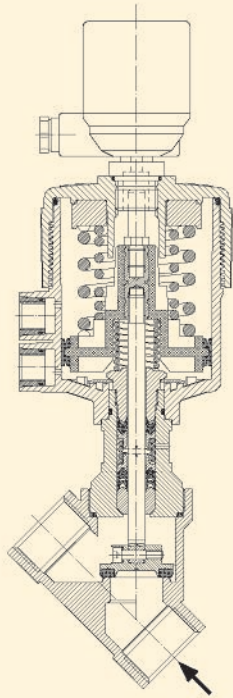
(Pressure Equipment Directive 97/23/CE)

for Valve 21IA7 ÷ 21IA9

**Note**

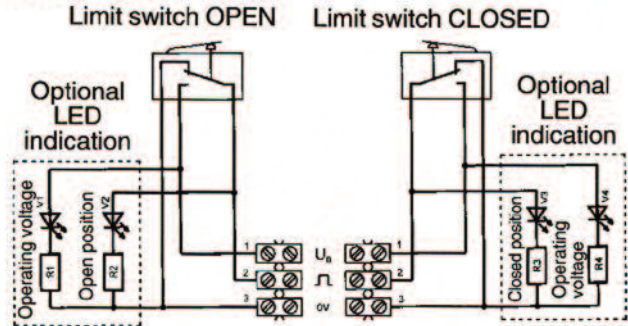
Available on request pilot S.V. 31A2AV20+BDA (see catalogue page)  
 Together with male thread nipple male 1/4 NPT - 1/4 NPT  
 Material compatibility with the fluids to be checked.

The "ODE" reserves the right to carry out technical and aesthetic modifications without prior notification.



### Connection diagram

$U_B$  = Operating voltage  
 = Signal output  
 0V = Gnd, 0V



### DIMENSIONS:

Pipe ANSI/ASME Bl.20.1	A mm	B mm	C mm	D mm	H mm	L mm	T mm
1/2 NPT	206,8	SW 27	178,7	15,4	163,3	65	17
3/4 NPT	211,7	SW 32	188,6	21,9	166,7	75,5	19
1 NPT	220,1	SW 41	197,8	25,1	172,7	90	21
1 1/4 NPT	235,9	SW 50	212,3	28,5	183,8	110	24
1 1/2 NPT	238,9	SW 55	217,0	31,0	186	122	25,2
2 NPT	247,8	SW 70	229,7	37,5	192,2	151	28,5

