



Solenoid valve 2/2 way N.C. Combined operation

21HN2K0Y110-HT
÷
21HN6K0Y250-HT

PRESENTATION:

Combined operation S.V. for interception of fluids compatibles with the construction materials.
Minimum operational pressure is not required.
The materials used and the tests carried out ensure maximum reliability and duration.

USE: Automation, Vacuum packaging
Heating

PIPES: 1/4 NPT - 1 NPT

COILS: 8W - Ø 13
BDA - BDS - BSA 155°C (class F)
BDF - BDV 180°C (class H)
12W - Ø 13
UDA 155°C (class F)
14W - Ø 13
GDH - GDV 180°C (class H)

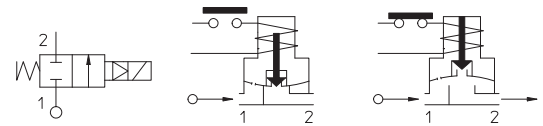
MOULDING AND BOBBIN ARE MADE BY 100% VIRGIN MATERIAL.

Max. allowable pressure (PS) 16 bar
Ambient temperature:
with coils class F - 10°C + 60°C
with coils class H - 10°C + 80°C

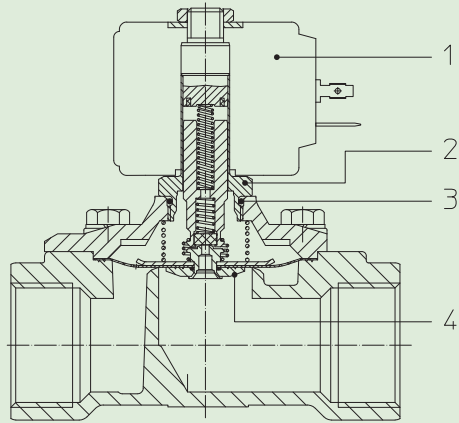
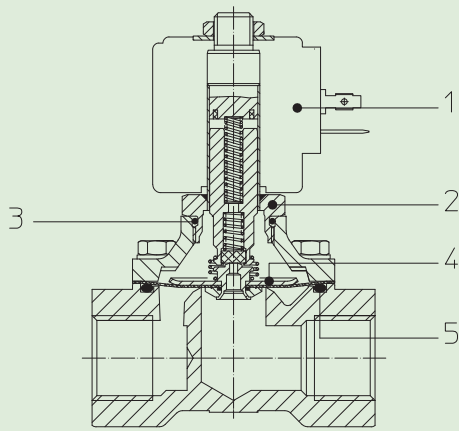


Gaskets	Temperature		Medium
	- 10°C	+ 90°C	
Y=NBR (nitrile rubber) + PA (polyamide)	- 10°C	+ 90°C	Air, gasolin, fuel oils, inert gas, water
V=FKM+ PA (fluorelastomer+poliamiyde)	- 10°C	+140°C	Mineral oils (2°E), gasoline gas oil

For seals other than FKM replace the letter "V" with the ones corresponding to the other seals. E.I. 21HN2K0V110-HT.



Pipe ANSI/ASME BI.20.1	Code	Max viscosity		Ø mm	Kv l/mn	Power (watt)	Pressure		
		cSt	°E				min bar	M.O.P.D.	
								AC bar	DC bar
1/4 NPT	21HN2K0Y110-HT	12	~ 2	11	20	8	0	14	5
						12			14
						14			14
3/8 NPT	21HN3K0Y110-HT	12	~ 2	16	40	8	0	14	5
						12			14
						14			14
1/2 NPT	21HN4K0Y160-HT	12	~ 2	16	40	8	0	14	2,5
						12			14
						14			14
3/4 NPT	21HN5K0Y160-HT	12	~ 2	16	40	8	0	14	1,5
						12			14
						14			14
1 NPT	21HN6K0Y250-HT	12	~ 2	25	120	8	0	14	-
						12			14
						14			6



MATERIALS:

Body	Brass - UNI EN 12165 CW617N
Armature tube	Stainless steel AISI series 300
Fixed core	Stainless steel AISI series 400
Plunger	Stainless steel AISI series 400
Phase displacement ring	Copper - Cu 99,9%
Spring	Stainless steel AISI series 300
Seal	Standard: Y=NBR+PA On request : V=FKM+PA
Orifice	Brass - UNI EN 12165 CW617N

On request:	Pg 9 or Pg 11
Connector	ISO 4400
Connector conformity	

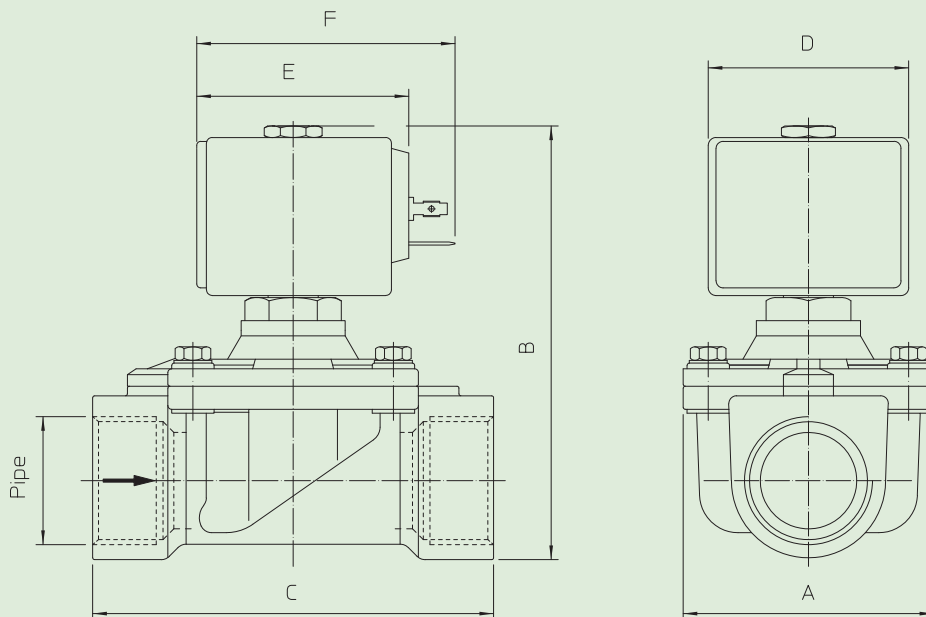
FEATURES:

Electrical conformity	IEC 335
Protection degree	IP 65 EN 60529 (DIN 40050) with coil fitted by connector.

SPARE PARTS:

1. Coil:	See coils list	5. Gasekt O-Ring	1/4+3/4 NPT Code R990105/B
2. Complete armature tube without gasket:	1/4+3/4 NPT Code R450691 1 NPT Code R450603	MAINTENANCE KIT:	
3. Gasket O-Ring:	Code R990000/B	1/4+ 3/8 NPT	KTGHT3K0Y11=4+5
4. Complete diaphragm with plunger	1/4+3/8 NPT Code R452126/B 1/2+3/4 NPT Code R452125/B 1 NPT Code R452555/B	1/2+ 3/4 NPT	KTGHT4K0Y16=4+5
		1 NPT	KTGHT6K0Y25=4

DIMENSIONS:



Type	Pipe	A mm	B mm	C mm
21HN2K0Y110-HT	1/4 NPT	50	89	56
21HN3K0Y110-HT	3/8 NPT			
21HN4K0Y160-HT	1/2 NPT		100	70
21HN5K0Y160-HT	3/4 NPT			
21HN6K0Y250-HT	1 NPT	65	112	104

COIL TYPE	POWER ABSORPTION			DIMENSIONS		
	W ==	Hold VA ~	Inrush VA ~	D mm	E mm	F mm
B	8	14,5	25	30	42	54
U	12	23	35	36	48	60
G	14	27	43	52	55	67



Solenoid valve 2/2 way N.O. Combined operation

21HN2Z0Y110-HT
÷
21HN5Z0Y160-HT

PRESENTATION:

Combined operation S.V. for interception of fluids compatibles with the construction materials.
Minimum operational pressure is not required.
The materials used and the tests carried out ensure maximum reliability and duration.

USE: Automation, Vacuum packaging
Heating

PIPES: 1/4 NPT - 3/4 NPT

COILS: 8W - Ø 13
BDA - BDS 155°C (class F)
BDF - BDV 180°C (class H)

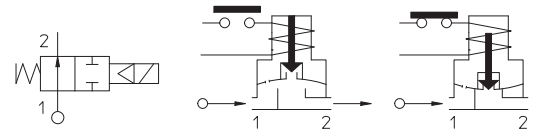
MOULDING AND BOBBIN ARE MADE BY 100% VIRGIN MATERIAL.

Max. allowable pressure (PS) 16 bar
Environment temperature:
with coil class F - 10°C + 60°C
with coil class H - 10°C + 80°C



Gaskets	Temperature	Medium
Y=NBR (nitrile rubber) + PA (polyamide)	- 10°C + 90°C	Air, gasolin, fuel oils, inert gas, water
V=FKM (fluoroelastomer) + PA (polyamide)	- 10°C + 140°C	Mineral oils (2°E), gasoline gas oil

For seals other than NBR+PA replace the letter "Y" with the ones corresponding to the other seals. E.I. 21HN3Z0V110-HT.

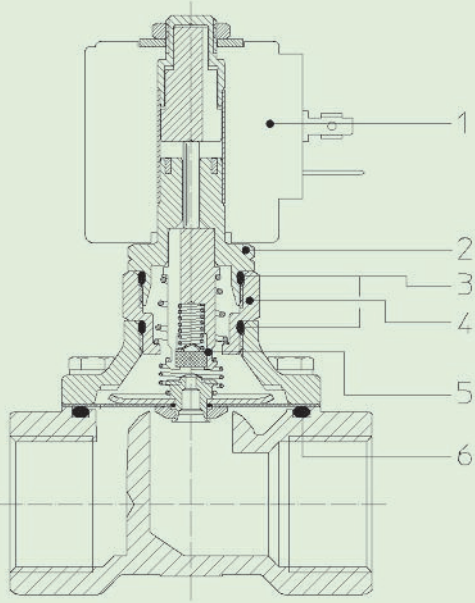


Pipe ISO 228/1	Code	Max viscosity		Ø mm	Kv l/mn	Power (watt)	Pressure		
		cSt	°E				min	M.O.P.D.	
							bar	AC bar	DC bar
1/4 NPT	21HN2Z0Y110-HT	12	~ 2	11	20	0	10 *	10	
3/8 NPT	21HN3Z0Y110-HT								
1/2 NPT	21HN4Z0Y160-HT			16	40				
3/4 NPT	21HN5Z0Y160-HT								

Note

* To use in AC, a rectifier bridge will be supplied with the DC coil

The "ODE" reserves the right to carry out technical and aesthetic modifications without prior notification.



MATERIALS:

- Body** Brass - UNI EN 12165 CW617N
- Armature tube** Stainless steel AISI series 300
- Fixed core** Stainless steel AISI series 400
- Plunger** Stainless steel AISI series 400
- Phase displacement ring** Copper - Cu 99,9%
- Spring** Stainless steel AISI series 300
- Seal** Standard: Y=NBR+PA
On request: V=FKM+PA
- Orifice** Brass - UNI EN 12165 CW617N

On request:

- Connector** Pg 9 or Pg 11
- Connector conformity** ISO 4400

CARATTERISTICHE:

- Electrical conformity** IEC 335
- Protection degree** IP 65 EN 60529 (DIN 40050)
with coil fitted by connector.

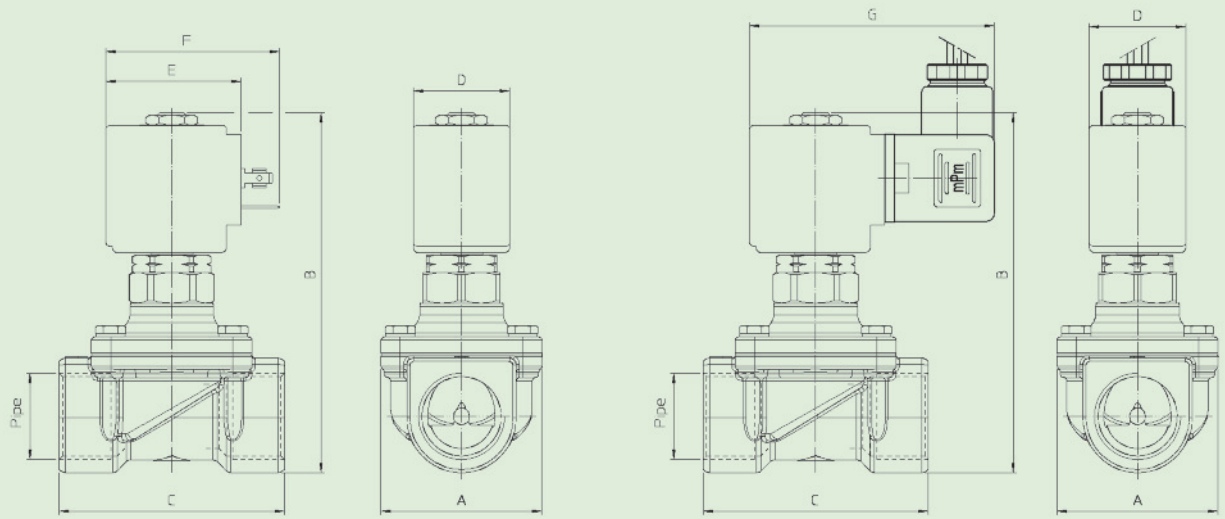
SPARE PARTS:

- 1. Coil:** See coils list
- 2. Complete armature tube without gasket:** Code R452908
- 3. Gasket O-Ring:** Code R990000/B
- 4. Complete nut with gasket O-Ring:** Code R452863/B
- 5. Complete diaphragm with spring :**
1/4÷3/8 NPT Cod. R452879/B
1/2÷3/4 NPT Cod. R452862/B
- 6. Gasekt O-Ring :** Code R990105/B

MAINTENANCE KIT:

- 1/4 ÷ 3/8 NPT
KTGHT3Z0Y11=5+6
- 1/2 ÷ 3/4 NPT
KTGHT4Z0Y16=5+6

DIMENSIONS:



Type	Pipe	A mm	B mm	C mm
21HN2Z0Y110-HT	1/4 NPT	50	101	56
21HN3Z0Y110-HT	3/8 NPT		101	56
21HN4Z0Y160-HT	1/2 NPT		112	70
21HN5Z0Y160-HT	3/4 NPT		112	70

COIL TYPE	POWER ABSORPTION			DIMENSIONS			
	W ==	Hold VA ~	Inrush VA ~	D mm	E mm	F mm	G mm
B	8	14,5	25	30	42	54	76