



Solenoid valve 2/2 way N.C. Direct acting equipped with kit and coil Ex mb

21L2QDV25
÷
21L2QDV55

PRESENTATION:

Direct acting S.V. for interception of fluids compatible with the construction materials.

Minimum operational pressure is not required.

The materials used and the tests carried out ensure maximum reliability and duration

USE: Potentially explosive atmospheres
Zone 1, 2, 21, 22

PIPES: G 1/4

COIL: Series TNA - Ø 14,5
(For characteristic see catalogue page)



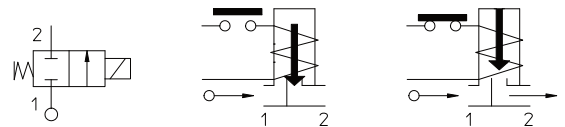
Max. allowable pressure (PS) 40 bar

Ambient temperature:

See coils catalogue page for its compatibility.

Gaskets	Temperature		Medium
	- 10°C	+ 80°C	
V=FKM (fluoroelastomer)	- 10°C	+ 80°C	Mineral oils (2°E), gasoline gas oil
F=H-NBR (hydrogenated nitrile)	- 20°C	+ 80°C	Air, inert gas, water R 134a, R 404a

For seals other than FKM replace the letter "V" with the ones corresponding to the other seals. E.I. 21L2QDF25.



Pipe ISO 228/1	Code	Max viscosity		Ø mm	Kv l/mn	Power watt	Pressure		
		cSt	°E				min bar	M.O.P.D.	
								AC bar	DC bar
G 1/4	21L2QDV25	53	~ 7	2,5	3,2	(See TNA coils catalogue page)	0	14	9
	21L2QDV30			3	4			10	6
	21L2QDV40			4	5			6	1,7
	21L2QDV55			5,5	9			3,5	1

The product is assembled, with coil separate certification and characterized by the following marking.

Compliant with ATEX Directive 2014/34/EU

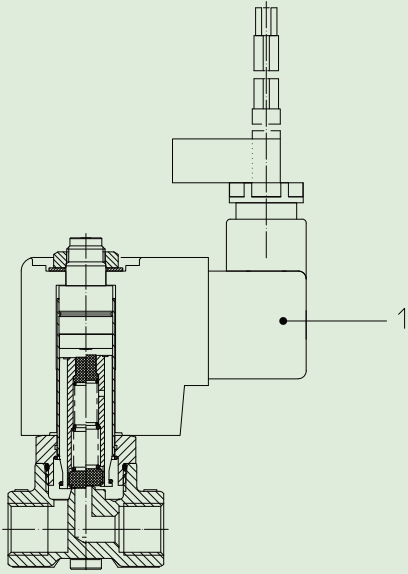


II 2G Ex mb IIC T4 Gb
II 2D Ex mb tb IIIC T130°C Db

The "ODE" reserves the right to carry out technical and aesthetic modifications without prior notice.

MATERIALS:

Body	Stainless steel AISI 316
Armature tube	Stainless steel AISI series 300
Fixed core	Stainless steel AISI series 400
Plunger	Stainless steel AISI series 400
Phase displacement ring	Gold plated copper
Spring	Stainless steel AISI series 300
Seal	Standard: V=FKM On request: F=H-NBR
Orifice	Brass - UNI EN 12165 CW617N



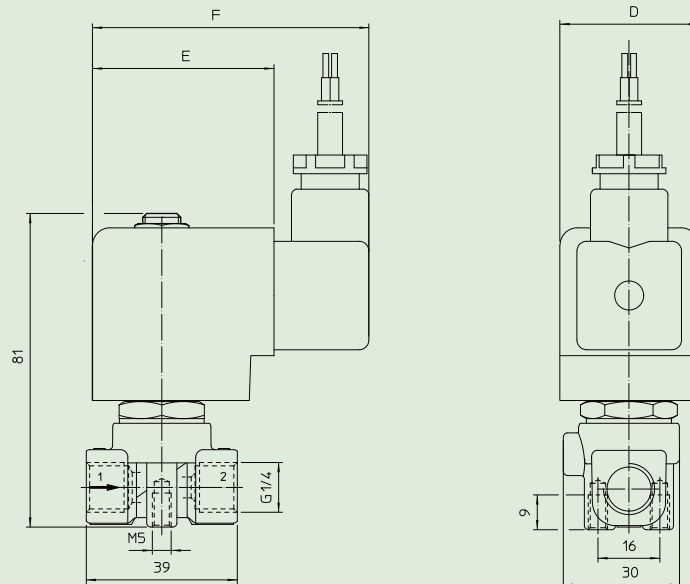
FEATURES:

Protection degree	IP 65 EN 60529 (DIN 40050)
--------------------------	----------------------------

SPARE PARTS:

- Coil:**
See TNA coils list

DIMENSIONS:



COIL TYPE	DIMENSIONS		
	D mm	E mm	F mm
T	36	47	76



Solenoid valve 2/2 way N.C. Direct acting equipped with kit and coil Ex mb

21LN2QDV25
÷
21LN2QDV55

PRESENTATION:

Direct acting S.V. for interception of fluids compatible with the construction materials.

Minimum operational pressure is not required.

The materials used and the tests carried out ensure maximum reliability and duration.

USE: Potentially explosive atmospheres
Zone 1, 2, 21, 22

PIPE: 1/4 NPT

COILS: Series TNA - Ø 14,5
(For characteristic see catalogue page)

Max. allowable pressure (PS) 40 bar

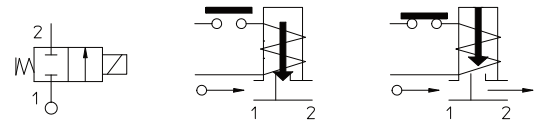
Ambient temperature:

See coils catalogue page for its compatibility.



Gaskets	Temperature		Medium
V=FKM (fluoroelastomer)	- 10°C	+ 80°C	Mineral oils (2°E), gasoline gas oil, fuel oils (7°E)
F=H-NBR (hydrogenated nitrile)	- 20°C	+ 80°C	Air, inert gas, water R 134a, R 404a

For seals other than FKM replace the letter "V" with the ones corresponding to the other seals. E.I. 21LN2QDF25.



Pipe ANSI/ASME Bl.20.1	Code	Max viscosity		Ø mm	Kv l/mn	Power watt	Pressure		
		cSt	°E				min bar	M.O.P.D. AC bar DC bar	
1/4 NPT	21LN2QDV25	53	~ 7	2,5	3,2	(See TNA coils catalogue page)	0	14	9
	21LN2QDV30			3	4			10	6
	21LN2QDV40			4	5			6	1,7
	21LN2QDV55			5,5	9			3,5	1

The product is assembled, with coil separate certification and characterized by the following marking.

Compliant with ATEX Directive 2014/34/EU



II 2G Ex mb IIC T4 Gb
II 2D Ex mb tb IIIC T130°C Db

The "ODE" reserves the right to carry out technical and aesthetic modifications without prior notice.

MATERIALS:

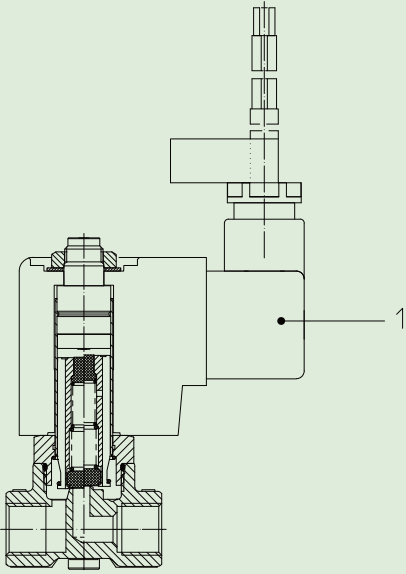
Body	Stainless steel AISI 316
Armature tube	Stainless steel AISI series 300
Fixed core	Stainless steel AISI series 400
Plunger	Stainless steel AISI series 400
Phase displacement ring	Gold plated copper
Spring	Stainless steel AISI series 300
Seal	Standard: V=FKM On request: F=H-NBR
Orifice	Stainless steel AISI 316

FEATURES:

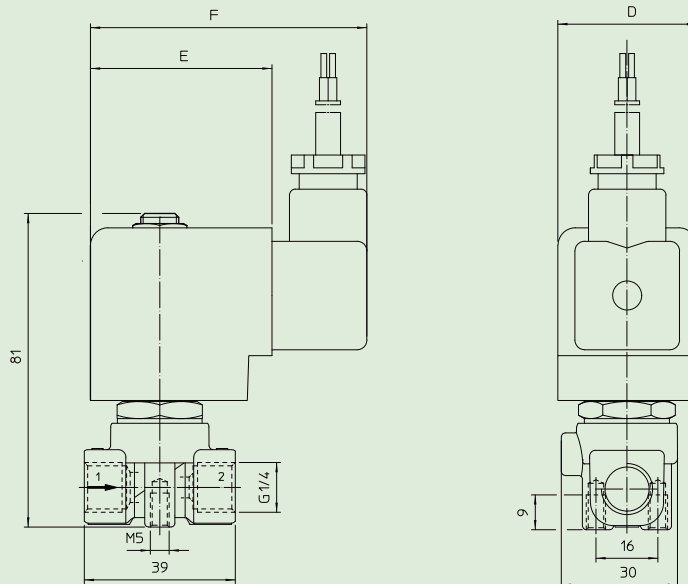
Protection degree	IP 65 EN 60529 (DIN 40050)
--------------------------	----------------------------

SPARE PARTS:

- 1. Coil:**
See TNA coils list



DIMENSIONS:



COIL TYPE	DIMENSIONS		
	D mm	E mm	F mm
T	36	47	76