



Solenoid valve 2/2 way N.C. Direct acting

21LN2K1V25

÷

21LN2K1V55

PRESENTATION:

Direct acting S.V. for interception of fluids compatible with the construction materials.

Minimum operational pressure is not required.

The materials used and the tests carried out ensure maximum reliability and duration.

USE: Chemistry
Drinks

PIPES: 1/4 NPT

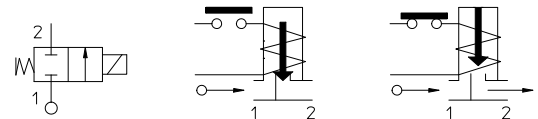
COIL: 8W - Ø 13
BDV Ex nA 180°C (class H)
GDV Ex nA 180°C (class H)

MOULDING AND BOBBIN ARE MADE BY 100% VIRGIN MATERIAL.

Max. allowable pressure (PS) 40 bar
Environment temperature: - 10°C + 60°C



Gaskets	Temperature		Medium
	- 10°C	+ 140°C	
V=FKM (fluoroelastomer)	- 10°C	+ 140°C	Demineralized water, syrups, chemical products compatible with stainless steel



Pipe ANSI/ASME BI.20.1	Code	Max viscosity		Ø mm	Kv l/mn	Power (watt)	Pressure				
		cSt	°E				min bar	M.O.P.D.			
								AC bar	DC bar		
1/4 NPT	21LN2K1V25	53	~ 7	2,5	3,2	8	0	14	9		
								14	25		
	21LN2K1V30				3			4	8	10	6
									14	25	20
	21LN2K1V40				4			5	8	6	1,7
									14	15	8
	21LN2K1V55			5,5	9	8		3,5	1		
						14		10	5		

Note.

Available on request and with minimum quantities.

The "ODE" reserves the right to carry out technical and aesthetic modifications without prior notification.

MATERIALS:

Body	Stainless steel AISI 316
Armature tube	Stainless steel AISI series 300
Fixed core	Stainless steel AISI series 400
Plunger	Stainless steel AISI series 400
Phase displacement ring	Gold plated copper
Spring	Stainless steel AISI series 300
Seal	V=FKM
Orifice	Stainless steel AISI 316

On request:

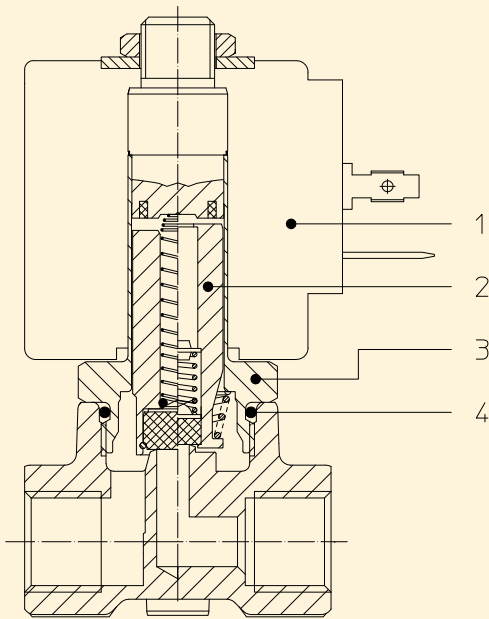
Connector	Pg 9 or Pg 11
Connector conformity	ISO 4400

FEATURES:

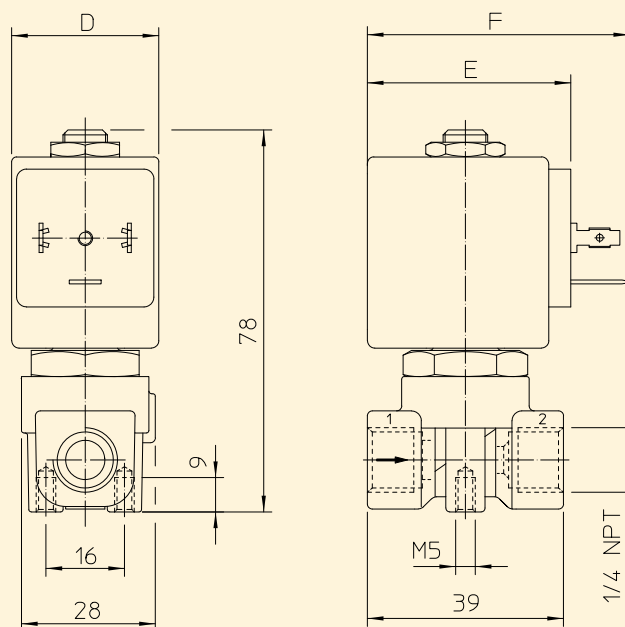
Electrical conformity	IEC 335
Protection degree	IP 65 EN 60529 (DIN 40050) with coil fitted by connector.

SPARE PARTS:

1. Coil:	See coils list	KIT:
2. Complete plunger:	For orifice ≤ 3 mm Code R450886/V For orifice > 3 mm Code R450898/V	Orifice ≤ 3 mm KT130KV30-H=2+3+4 Orifice > 3 mm KT130KV55-H=2+3+4
3. Complete armature tube:	Code R450811	
4. Gasket O-Ring:	Code R990000/V	



DIMENSIONS:



COIL TYPE	POWER ABSORPTION			DIMENSIONS		
	W W	Hold VA ~	Inrush VA ~	D mm	E mm	F mm
B	8	14,5	25	30	42	54
G	14	27	43	52	55	67



Solenoid valve 2/2 way N.C. Direct acting

21L2K1V25
÷
21L2K1V55

PRESENTATION:

Direct acting S.V. for interception of fluids compatible with the construction materials.

Minimum operational pressure is not required.

The materials used and the tests carried out ensure maximum reliability and duration.

USE: Chemistry
Drinks

PIPES: G 1/4

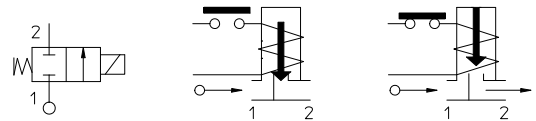
COILS: 8W - Ø 13
BDA - BDS - BSA 155°C (class F)
BDF - BDV 180°C (class H)
12W - Ø 13
UDA 155°C (class F)
14W - Ø 13
GDH - GDV 180°C (class H)

MOULDING AND BOBBIN ARE MADE BY 100% VIRGIN MATERIAL.

Max. allowable pressure (PS) 40 bar
Ambient temperature:
with coils class F - 10°C + 60°C
with coils class H - 10°C + 80°C



Gaskets	Temperature	Medium
V=FKM (fluoroelastomer)	- 10°C + 140°C	Demineralized water, syrups, chemical products compatible with stainless steel



Pipe ISO 228/1	Code	Max viscosity		Ø mm	Kv l/mn	Power (watt)	Pressure		
		cSt	°E				min bar	M.O.P.D. AC bar DC bar	
G 1/4	21L2K1V25	53	~ 7	2,5	3,2	8	0	14	9
						12		30	25
						14		10	6
	21L2K1V30				8	25		18	
					12	20		6	
					14	15		8	
	21L2K1V40			8	6	1,7			
				12	15	6			
				14	15	8			
	21L2K1V55			8	3,5	1			
				12	7	2,5			
				14	10	5			

The "ODE" reserves the right to carry out technical and aesthetic modifications without prior notification.

MATERIALS:

Body	Stainless steel AISI 316
Armature tube	Stainless steel AISI series 300
Fixed core	Stainless steel AISI series 400
Plunger	Stainless steel AISI series 400
Phase displacement ring	Gold plated copper
Spring	Stainless steel AISI series 300
Seal	V=FKM
Orifice	Stainless steel AISI 316

On request:

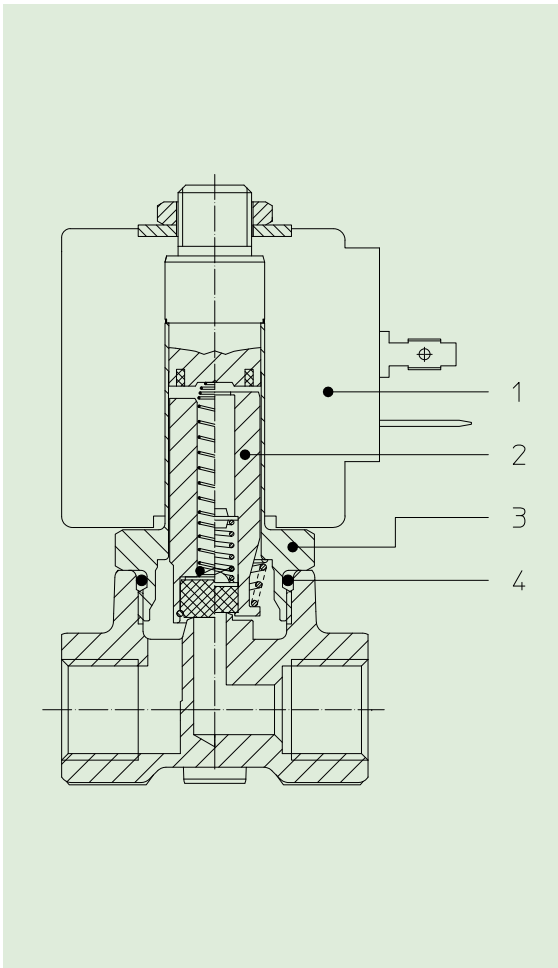
Connector	Pg 9 or Pg 11
Connector conformity	ISO 4400

FEATURES:

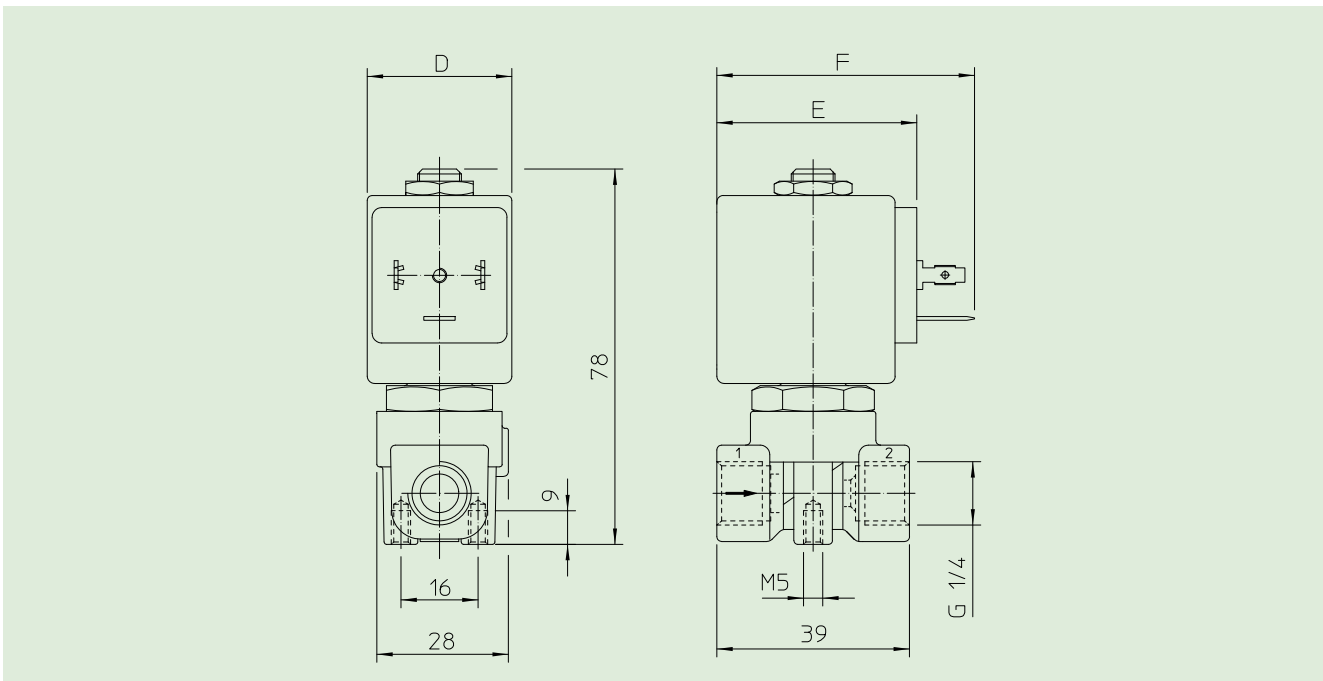
Electrical conformity	IEC 335
Protection degree	IP 65 EN 60529 (DIN 40050) with coil fitted by connector.

SPARE PARTS:

1. Coil:	See coils list	KIT:
2. Complete plunger:	For orifice ≤ 3 mm Code R450886/V For orifice > 3 mm Code R450898/V	Orifice ≤ 3 mm KT130KV30-H=2+3+4 Orifice > 3 mm KT130KV55-H=2+3+4
3. Complete armature tube:	Code R450811	
4. Gasket O-Ring:	Code R990000/V	



DIMENSIONS:



COIL TYPE	POWER ABSORPTION			DIMENSIONS		
	W =	Hold VA ~	Inrush VA ~	D mm	E mm	F mm
B	8	14,5	25	30	42	54
U	12	23	35	36	48	60
G	14	27	43	52	55	67



Solenoid valve 2/2 way N.C. Direct acting

21L2K1T25
÷
21L2K1T55

PRESENTATION:

Direct acting S.V. for interception of fluids compatible with the construction materials.

Minimum operational pressure is not required.

The materials used and the tests carried out ensure maximum reliability and duration.

USE: Chemistry
Drinks

PIPES: G 1/4

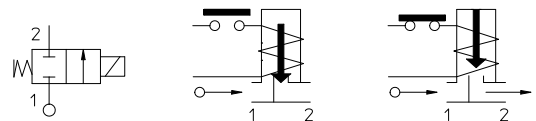
COILS: 8W - Ø 13
BDA - BDS - BSA 155°C (class F)
BDF - BDV 180°C (class H)
12W - Ø 13
UDA 155°C (class F)
14W - Ø 13
GDH - GDV 180°C (class H)

MOULDING AND BOBBIN ARE MADE BY 100% VIRGIN MATERIAL.

Max. allowable pressure (PS) 40 bar
Ambient temperature:
with coils class F - 40°C + 60°C
with coils class H - 40°C + 80°C



Gaskets	Temperature		Medium
	- 40°C	+ 180°C	
T=PTFE (polytetrafluorethylen)			Demineralized water, steam, syrups, chemical products compatible with stainless steel



Pipe ISO 228/1	Code	Max viscosity		Ø mm	Kv l/mn	Power (watt)	Pressure		
		cSt	°E				min bar	M.O.P.D.	
								AC bar	DC bar
G 1/4	21L2K1T25	53	~7	2,5	3,2	8	0	14	9
						12		30	25
						14			
	21L2K1T30	53	~7	3	4	8	0	10	6
						12		25	17
						14		20	
	21L2K1T40	53	~7	4	5	8	0	6	1,7
						12		15	6
						14		8	
	21L2K1T55	53	~7	5,5	9	8	0	3,5	1
						12		6	2
						14		7	5

The "ODE" reserves the right to carry out technical and aesthetic modifications without prior notification.

MATERIALS:

Body	Stainless steel AISI 316
Armature tube	Stainless steel AISI series 300
Fixed core	Stainless steel AISI series 400
Plunger	Stainless steel AISI series 400
Phase displacement ring	Gold plated copper
Spring	Stainless steel AISI series 300
Seal	T=PTFE
Orifice	Stainless steel AISI 316

On request:

Connector	Pg 9 or Pg 11
Connector conformity	ISO 4400

FEATURES:

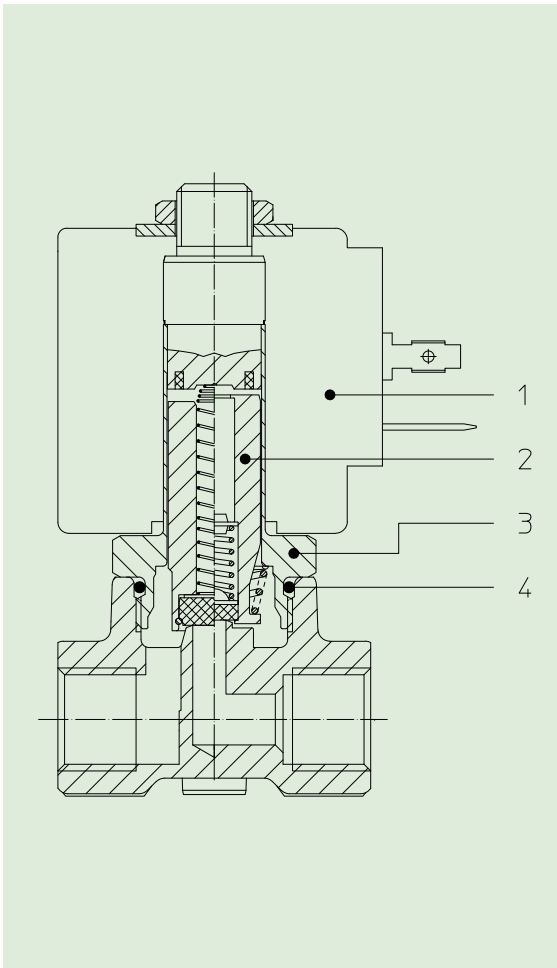
Electrical conformity	IEC 335
Protection degree	IP 65 EN 60529 (DIN 40050) with coil fitted by connector.

SPARE PARTS:

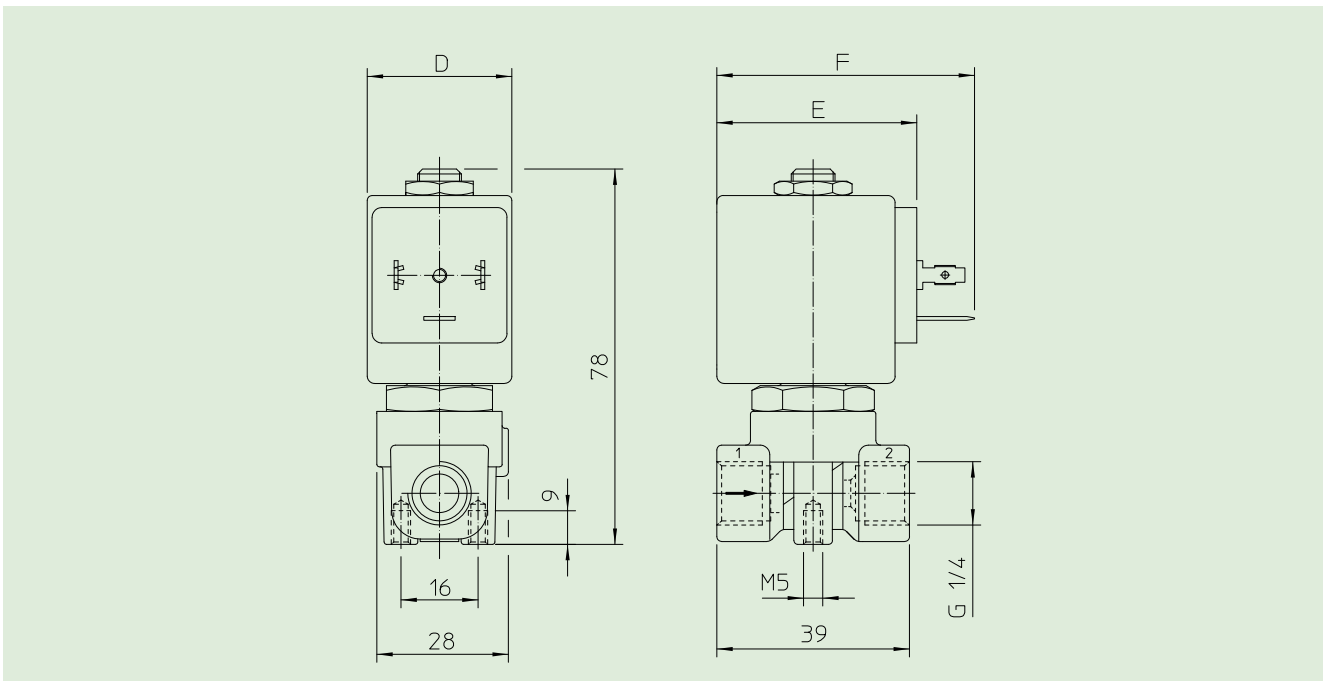
- Coil:**
See coils list
- Complete plunger:**
For orifice ≤ 3 mm
Code R450886/T
For orifice > 3 mm
Code R451234/T
- Complete armature tube without gasket:**
Code R450811
- Gasket O-Ring:**
Code R990000/T

KIT:

- Orifice ≤ 3 mm
KT130K**T**30-H=2+3+4
Orifice > 3 mm
KT130K**T**55-H=2+3+4



DIMENSIONS:



COIL TYPE	POWER ABSORPTION			DIMENSIONS		
	W ==	Hold VA ~	Inrush VA ~	D mm	E mm	F mm
B	8	14,5	25	30	42	54
U	12	23	35	36	48	60
G	14	27	43	52	55	67



Solenoid valve 2/2 way N.O. Direct acting

21L2ZV55D
÷
21L2ZV55G

PRESENTATION:

Direct acting S.V. for interception of fluids compatible with the construction materials.

Minimum operational pressure is not required.

The materials used and the tests carried out ensure maximum reliability and duration.

USE: Chemistry
Drinks

PIPES: G 1/4

COILS: 8W - Ø 13
BDA - BDS -BSA 155°C (class F)
BDF - BDV 180°C (class H)
12W - Ø 13
UDA 155°C (class F)
14W - Ø 13
GDH - GDV 180°C (class H)

MOULDING AND BOBBIN ARE MADE BY 100% VIRGIN MATERIAL.

Max. allowable pressure (PS) 40 bar

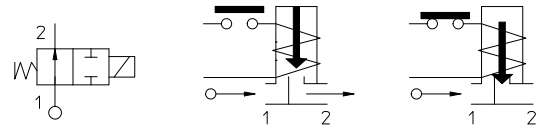
Environment temperature:

with coil class **F** - 10°C + 60°C

with coil class **H** - 10°C + 80°C



Gaskets	Temperature	Medium
V=FKM(fluoroelastomer)	- 10°C + 140°C	Demineralized water, syrups chemical product compatible with stainless steel

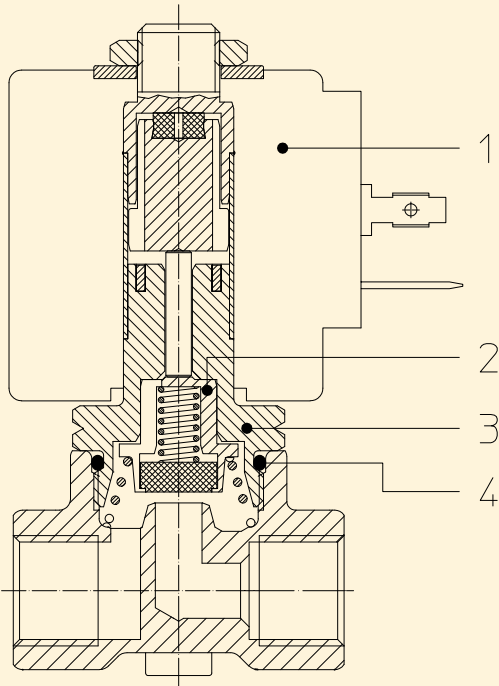


Pipe ISO 228/1	Code	Max viscosity		Ø mm	Kv l/mn	Power (watt)	Pressure		
		cSt	°E				min bar	M.O.P.D. AC bar DC bar	
G 1/4	21L2ZV55D	53	~ 7	5,5	9	8	0	2,5	2,5
	21L2ZV55G					12		3,5	3,5
						14			

Note

Available on request and with minimum quantities.

The "ODE" reserves the right to carry out technical and aesthetic modifications without prior notification.



MATERIALS:

Body	Stainless steel AISI 316
Armature tube	Stainless steel AISI series 300
Fixed core	Stainless steel AISI series 400
Plunger	Stainless steel AISI series 400
Phase displacement ring	Copper - Cu 99,9%
Spring	Stainless steel AISI series 300
Seal	V=FKM
Orifice	Stainless steel AISI 316

On request:

Connector	Pg 9 or Pg 11
Connector conformity	ISO 4400

FEATURES:

Electrical conformity	IEC 335
Protection degree	IP 65 EN 60529 (DIN 40050) with coil fitted by connector

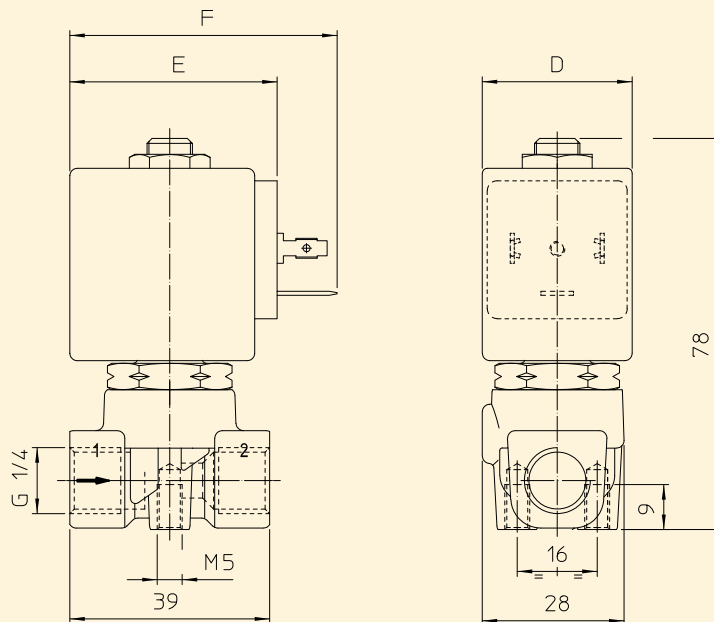
SPARE PARTS:

- 1. Coil:**
See coils list
- 2. Complete diaphragm support:**
8W Code R450786/V
12W - 14W
Code R450786/V14
- 3. Complete armature tube without gasket:**
Code R450573
- 4. Gasket O-Ring:**
Code R990000/V

KIT:

- 8W
KT130ZV55-F=2+3+4
- 12W - 14W
KT130ZV55-G=2+3+4

DIMENSIONS:



COIL TYPE	POWER ABSORPTION			DIMENSIONS		
	W ==	Hold VA ~	Inrush VA ~	D mm	E mm	F mm
B	8	14,5	25	30	42	54
U	12	23	35	36	48	60
G	14	27	43	52	55	67



Solenoid valve 2/2 way N.C. Direct acting - NSF Certified

21L22K1V55-T4

PRESENTATION:

Direct acting S.V. for interception of fluids compatible with the construction materials.

Minimum operational pressure is not required.

The materials used and the tests carried out ensure maximum reliability and duration.

USE: Chemistry
Drinks

PIPES: G 1/4

COIL: 8W - Ø 13
 BDA - BDS - BSA 155°C (class F)
 BDF - BDV 180°C (class H)
 12W - Ø 13
 UDA 155°C (class F)
 14W - Ø 13
 GDH - GDV 180°C (class H)

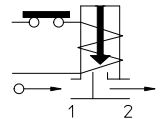
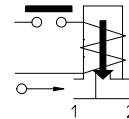
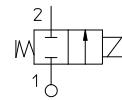
MOULDING AND BOBBIN ARE MADE BY 100% VIRGIN MATERIAL.

Max. allowable pressure (PS) 40 bar
 Environment temperature:
 with coil class F - 10°C + 60°C
 with coil class H - 10°C + 80°C



Special item-not standard

Gaskets	Temperature		Medium
	- 10°C	+ 140°C	
V=FKM (fluoroelastomer)	- 10°C	+ 140°C	Demineralized water, syrups, chemical products compatible with stainless steel



Pipe ISO 228/1	Code	Max viscosity		Ø mm	Kv l/mn	Power (watt)	Pressure		
		cSt	°E				min bar	M.O.P.D.	
								AC bar	DC bar
G 1/4	21L22K1V55-T4	53	~ 7	5,5	9	8	0	3,5	1
						12		7	2,5
						14		10	5

NSF CERTIFIED



Note

Available on request and with minimum quantities.

The "ODE" reserves the right to carry out technical and aesthetic modifications without prior notification.

MATERIALS:

Body	Stainless steel AISI 316
Armature tube	Stainless steel AISI series 300
Fixed core	Stainless steel AISI series 400
Plunger	Stainless steel AISI series 400
Phase displacement ring	Gold plated copper
Spring	Stainless steel AISI series 300
Seal	V=FKM
Orifice	Stainless steel AISI 316

On request:

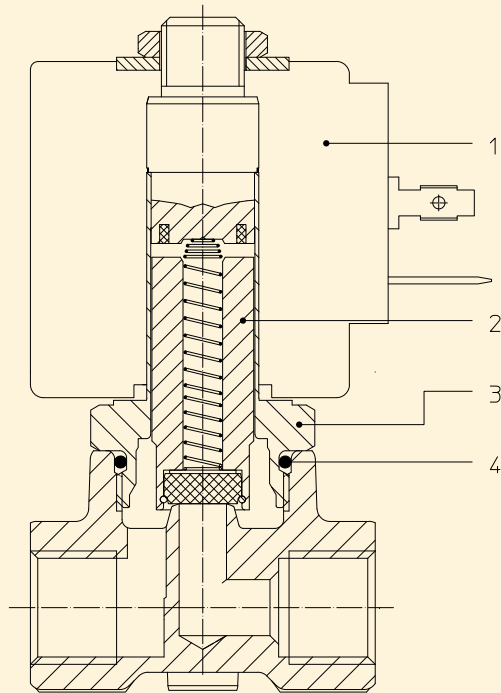
Connector	Pg 9 or Pg 11
Connector conformity	ISO 4400

FEATURES:

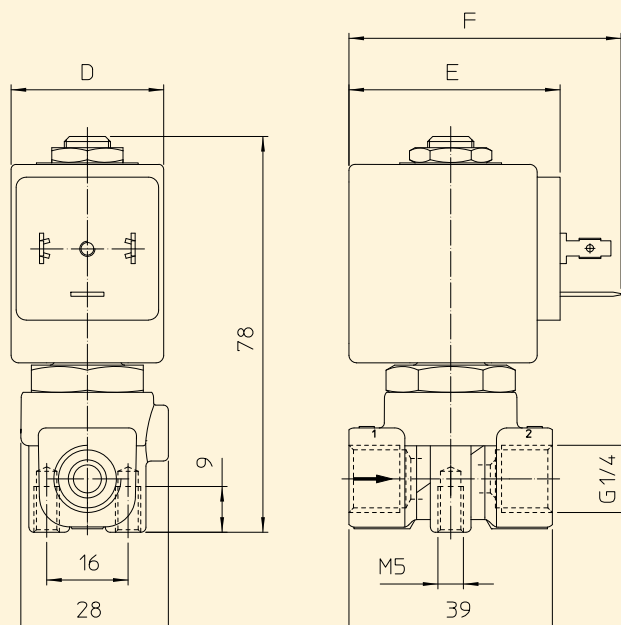
Electrical conformity	IEC 335
Protection degree	IP 65 EN 60529 (DIN 40050) with coil fitted by connector.

SPARE PARTS:

- 1. Coil:**
See coils list
- 2. Complete plunger:**
Code R450898/VX
- 3. Complete armature tube:**
Code R450811
- 4. Gasket O-Ring:**
Code R990000/VX



DIMENSIONS:



BOBINE TYPE	PUISSANCE NOMINALE			Ecombresments		
	W ==	Maintien VA ~	Appel VA ~	D mm	E mm	F mm
B	8	14,5	25	30	42	54
U	12	23	35	36	48	60
G	14	27	43	52	55	67